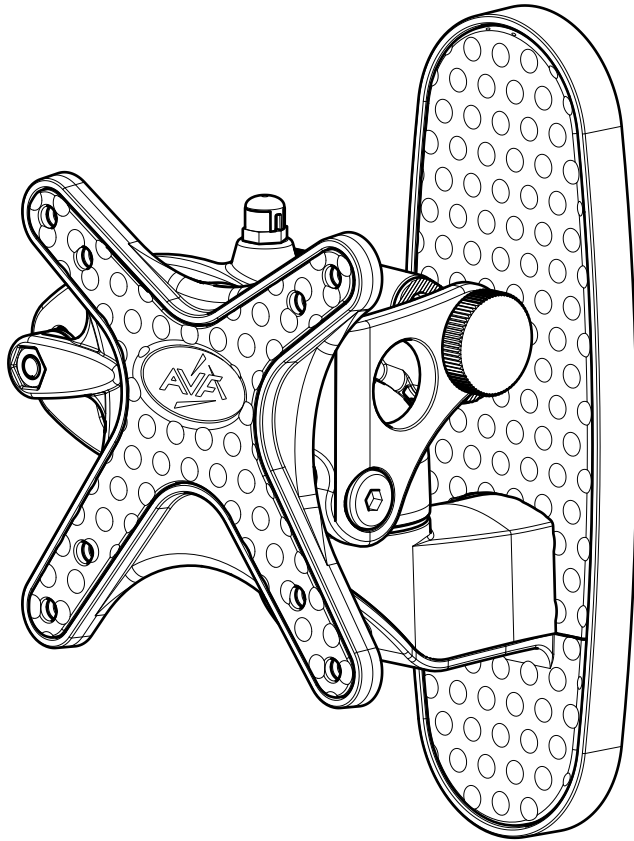


JZL102

Leaflet No. **463442** rev02



Read through ALL instructions before commencing installation. If you have any questions about this product or issues with installation contact the customer services helpline before returning this product to the store. See jl.avfgroup.com/p/jzl102 for more information.

CUSTOMER SERVICES HELP LINE NUMBER:

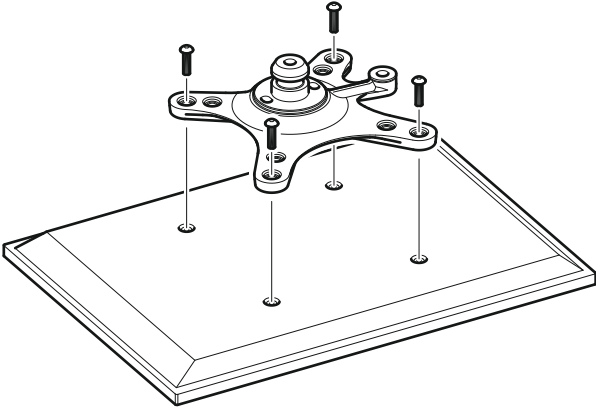
01952 670009



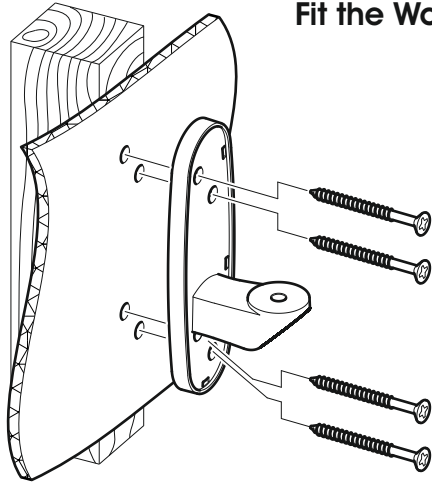
AVF Group Ltd. Hortonwood 30, Telford, Shropshire, TF1 7YE, England

Assembly Overview

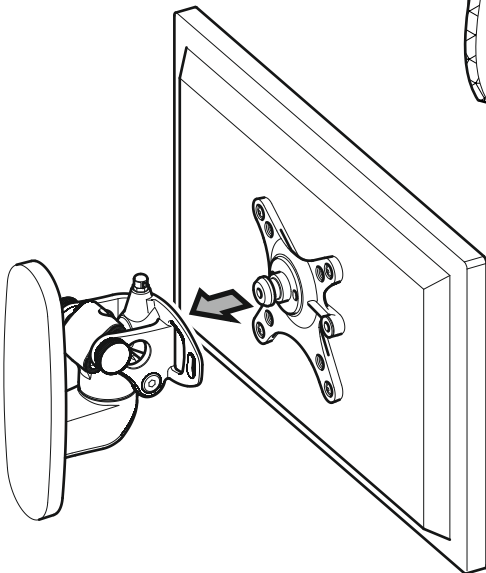
Fit the Mounting Plate



Fit the Wall Bracket



Attach the TV



Index

1 Measure the TV fixing holes Width and Height

2 Fitting the TV Mounting Plate

3 Fitting the Wall Bracket

4 Assemble the Bracket

5 Fitting the Top and Bottom Covers

6 Attach the TV

7 TV Levelling and Tilt

Retain all packaging in case the bracket needs to be returned.

Contents may vary from photography/ Illustrations.

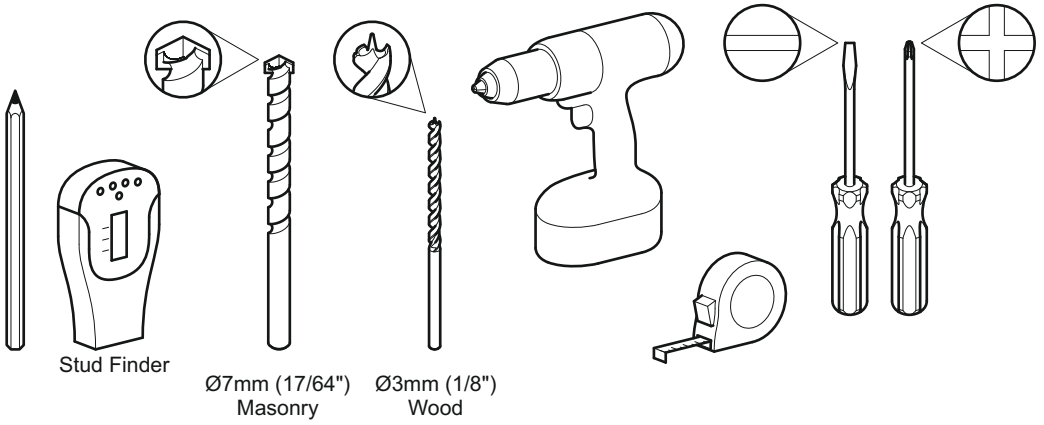
You will not need all these parts, so expect there to be some left over depending upon the specification of wall.

This product is intended for indoor use only. Use of this product outdoors could lead to failure and personal injury.

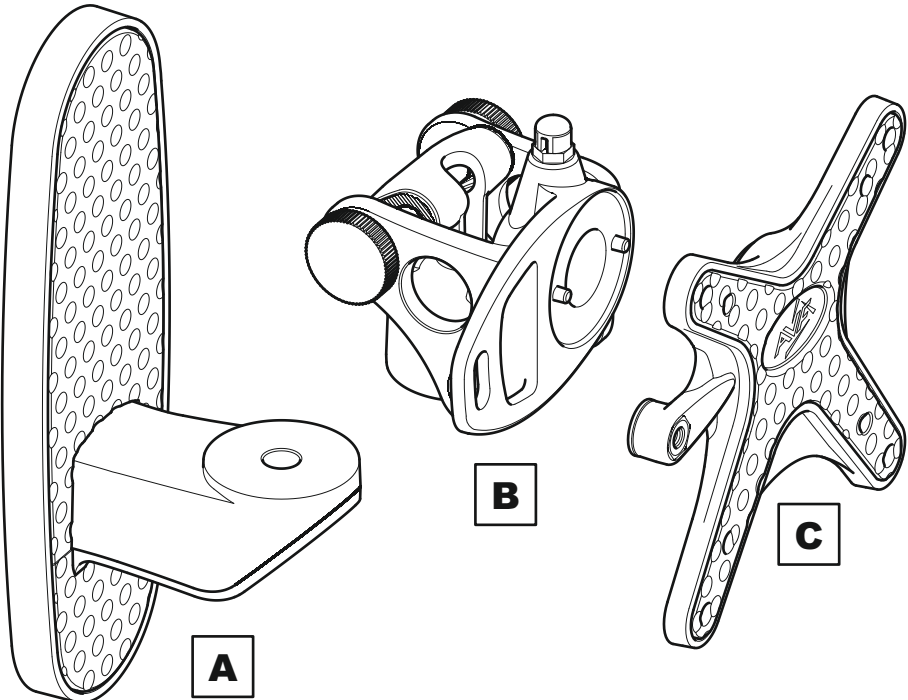
It is the responsibility of the installer to ensure that the mounting wall is of a suitable standard and void of any services (eg gas, electricity, water etc).

AVF accept no responsibility for any damage or loss caused by installing this product in a sub standard wall.

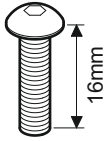
Tools Recommended



Boxed Parts

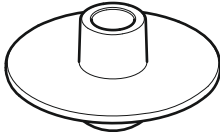


TV Screws

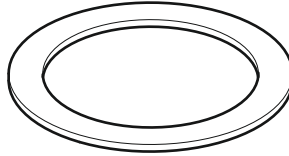


M4

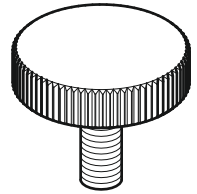
D x4



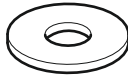
E x1



F x1



G x1



H x1

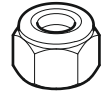


NYLON

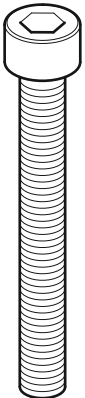
I x1



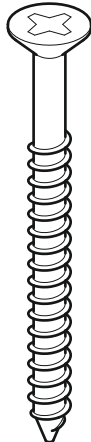
J x1



K x1



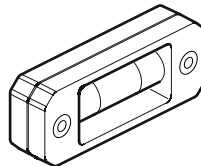
L x1



M x4

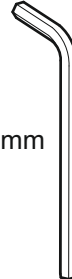


N x4



O x1

2.5mm



P x1

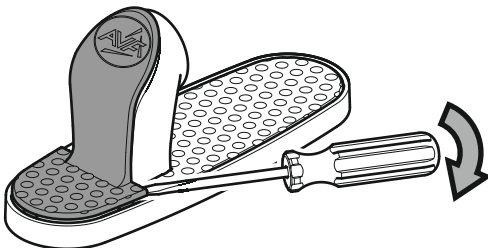
5mm



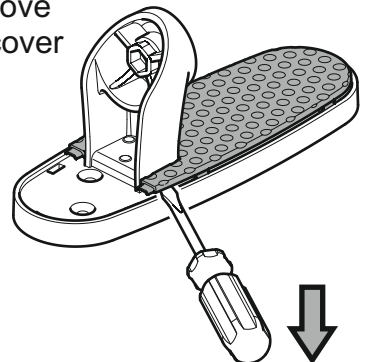
Q x1

Before you begin

i Remove bottom cover



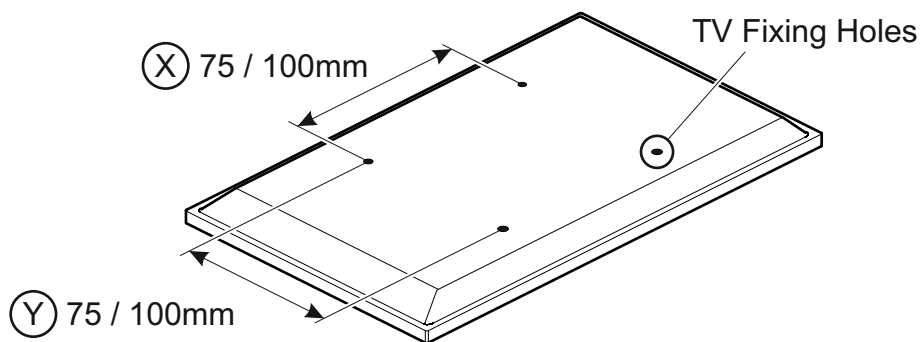
ii Remove top cover



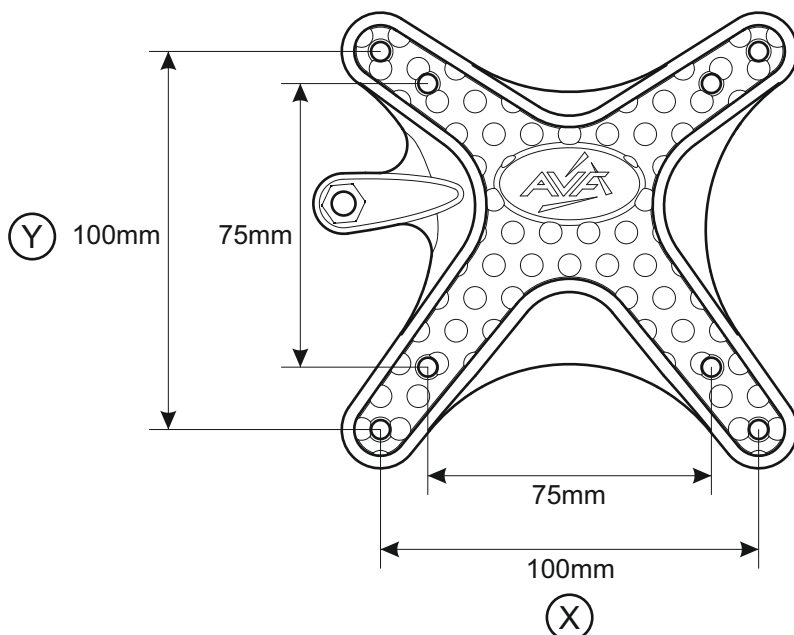
Keep top and bottom covers until step 5.

1

Measure the TV fixing holes Width and Height

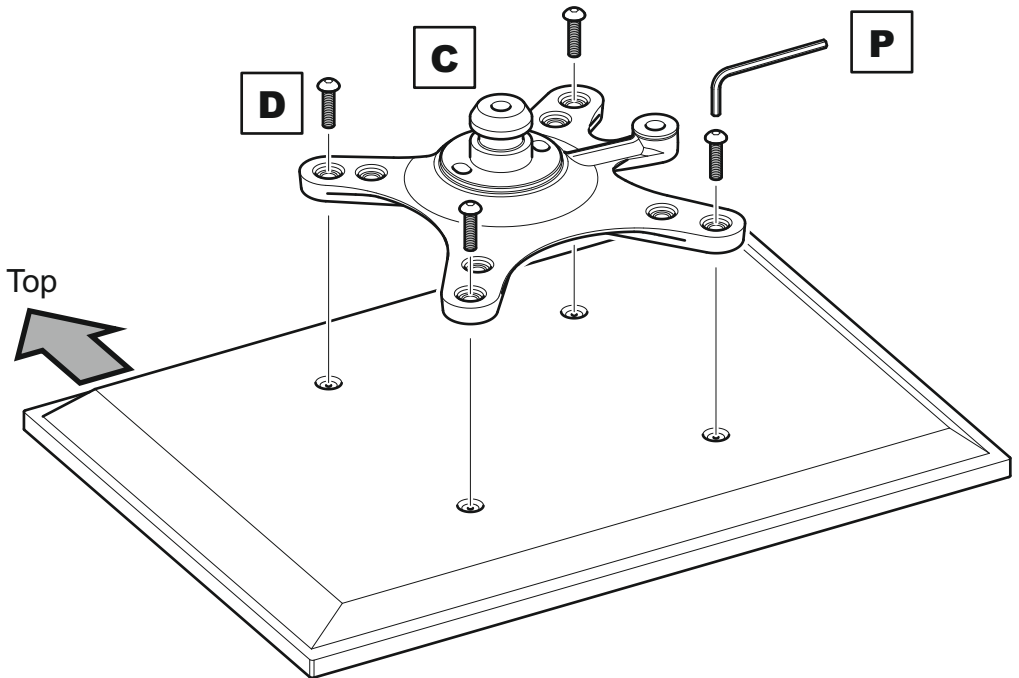


If \textcircled{X} or \textcircled{Y} are not equal to 75 or 100mm STOP installation now and contact the customer help line.

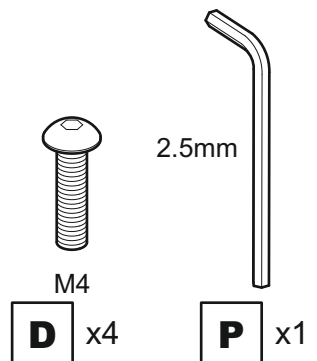


2

Fitting the TV Mounting Plate

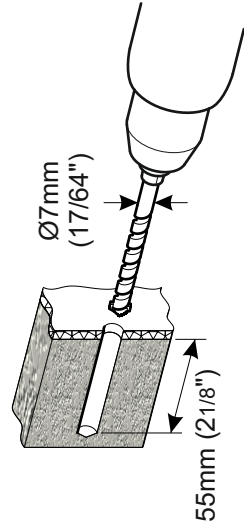
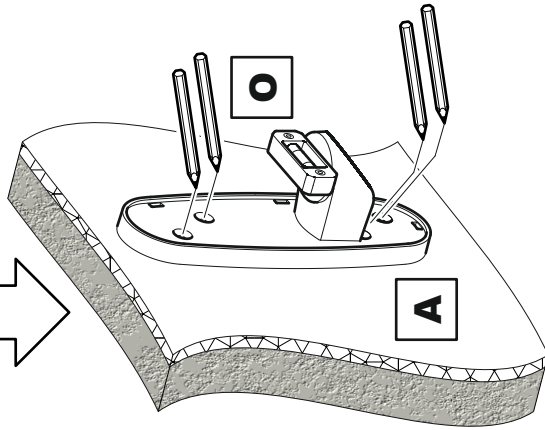


If your TV has an irregular back or if you have any issues fitting to the back of your TV with the screws supplied, please call the customer services helpline **01952 670009 / 0870 0609777**



3 Fitting the Wall Bracket

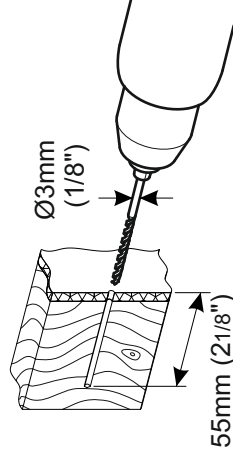
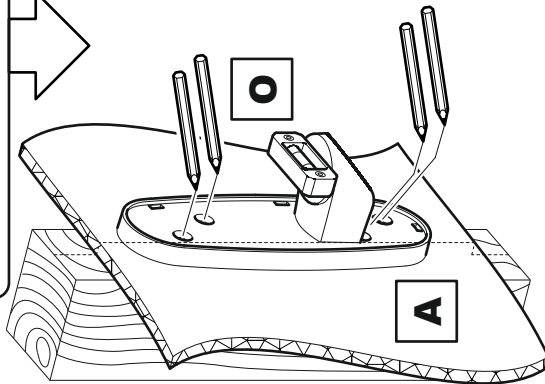
Solid Wall



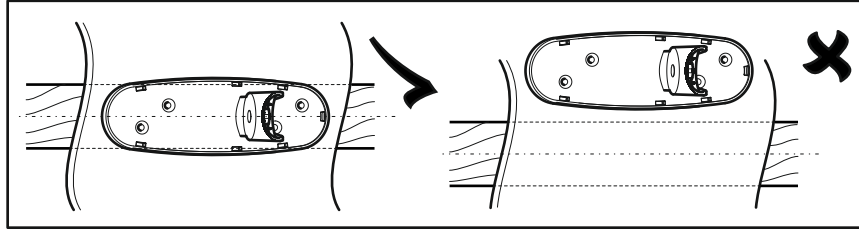
Remove dust from hole

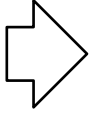


Wood Stud

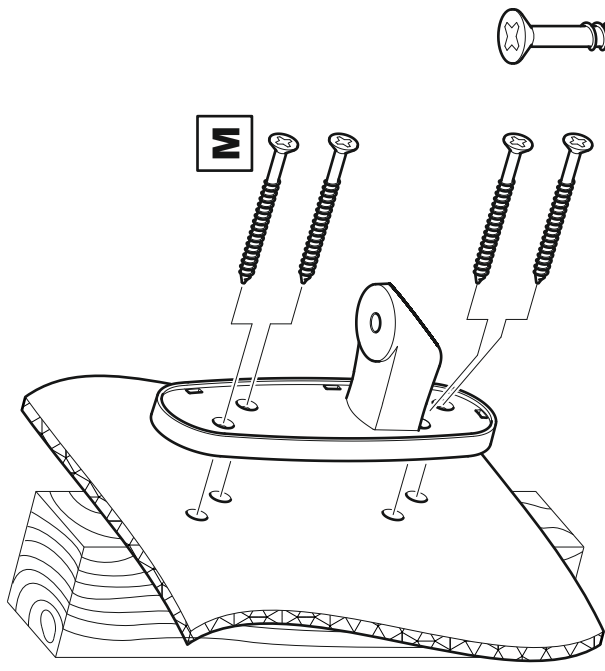


Ensure bracket is in the centre of the wood stud



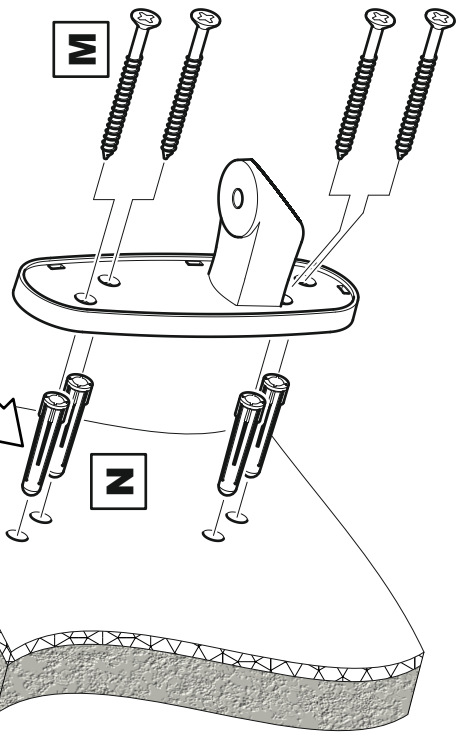
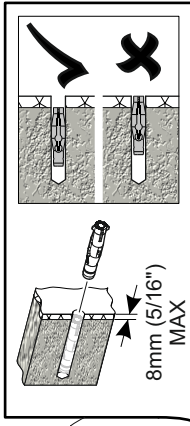


Lubricate screw thread with soap



M x4

 **DO NOT** over tighten screws
Tighten screws by hand only



N x4

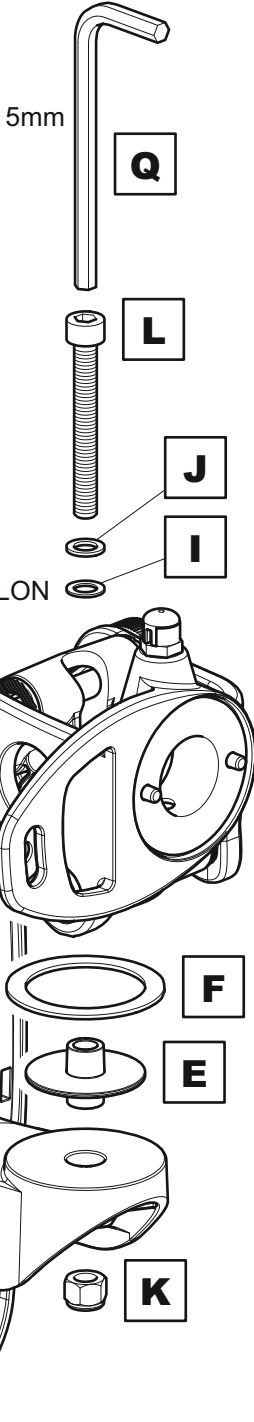
M x4

 Lubricate screw thread with soap

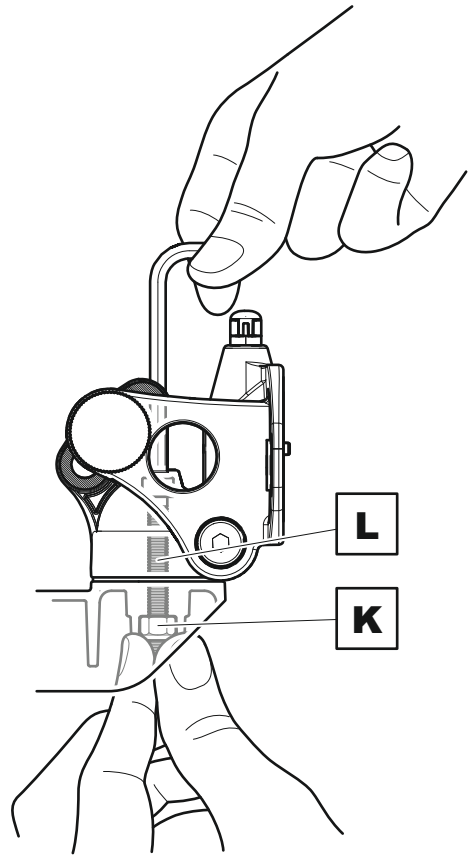
 **DO NOT** over tighten screws
Tighten screws by hand only

4

Assemble the bracket



Use your finger and thumb to hold nyloc nut (**K**) steady while you tighten screw (**L**)

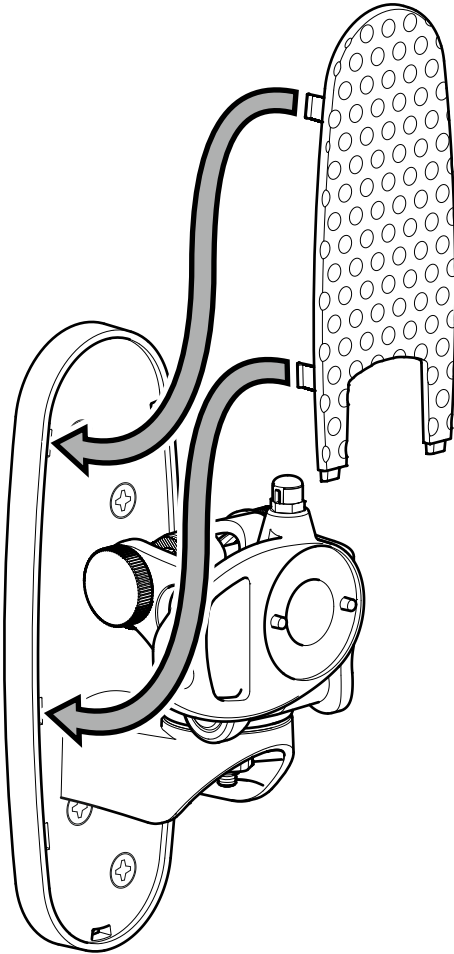


5

Fitting the Top and Bottom Covers

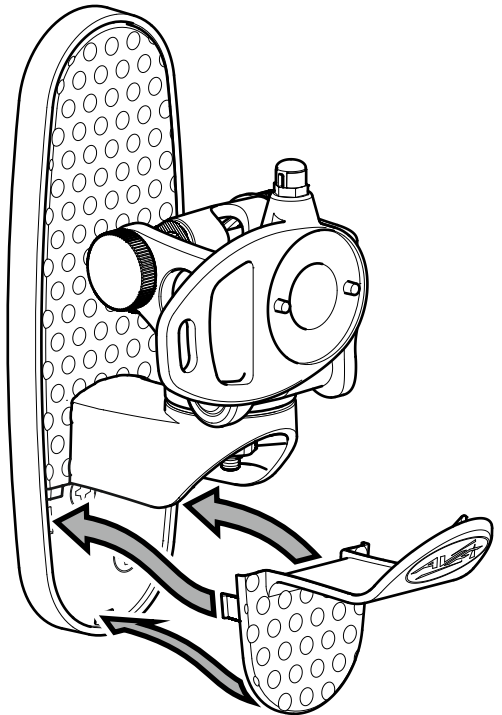
i

Fit the top cover

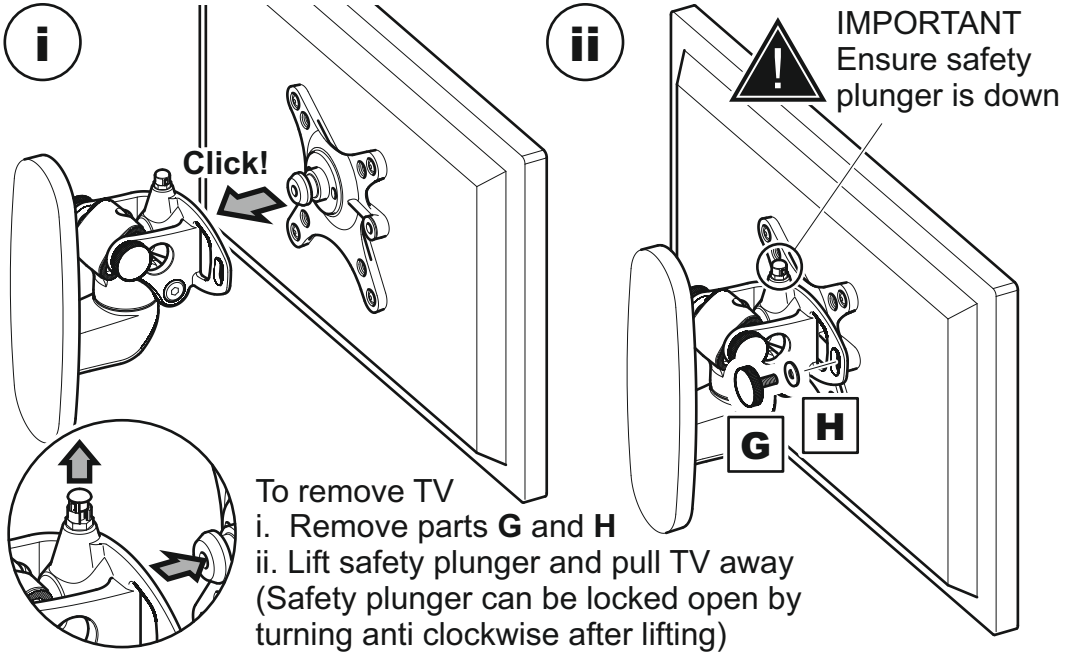


ii

Fit the bottom cover



6 Attach the TV



7 TV levelling and Tilt

