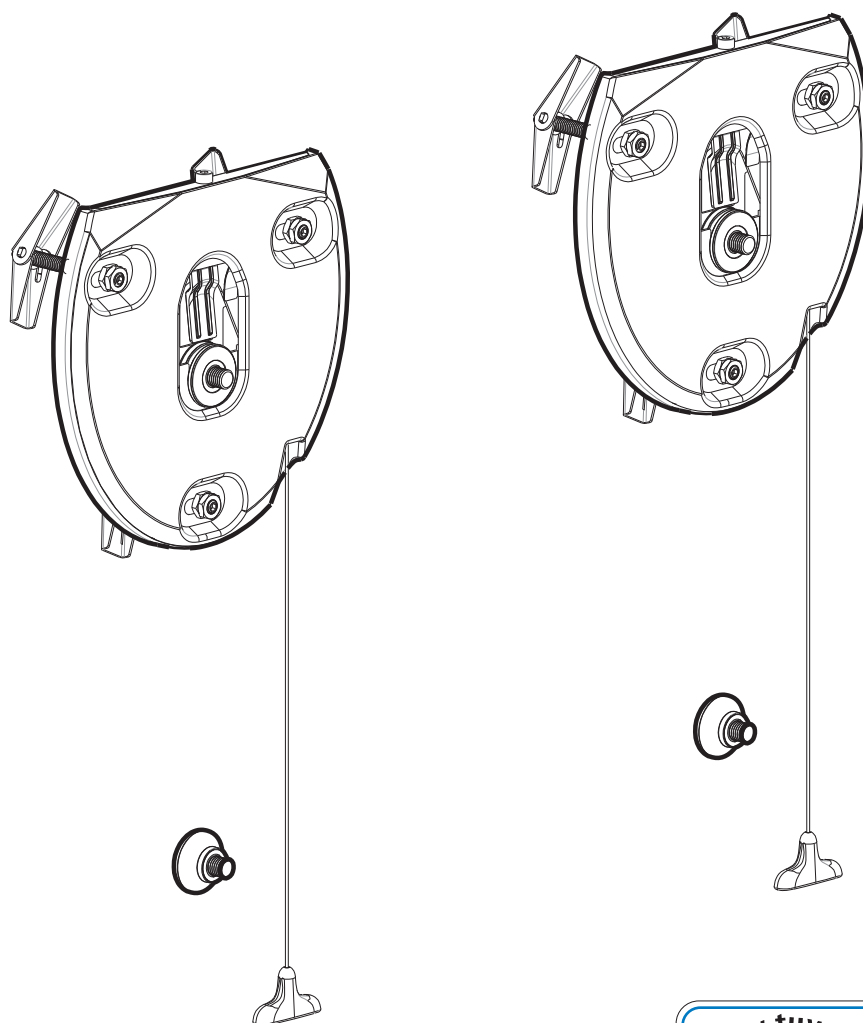


# L8500

English language

Leaflet No. 462983 rev 03



**Read through ALL instructions before commencing installation.**  
**If you have any questions about this product or issues with installation**  
**contact the customer services helpline before returning this product to**  
**the store. See [www.avfgroup.com/unimax](http://www.avfgroup.com/unimax) for instruction video.**

**CUSTOMER SERVICES HELP LINE NUMBER:**

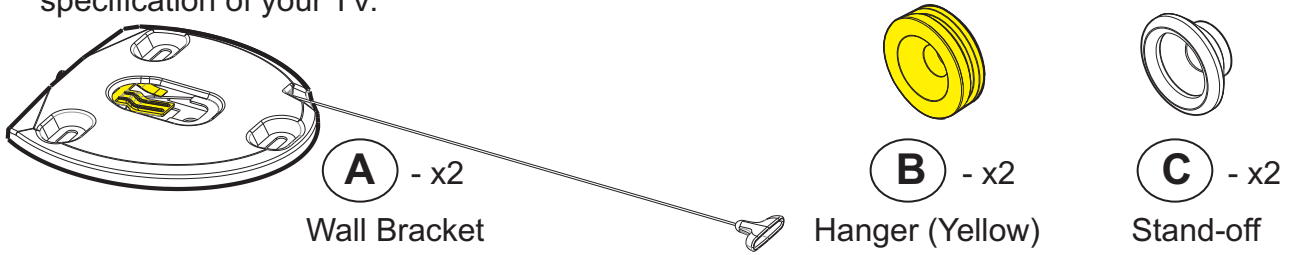
**01952 670009**  
**0870 0609777**



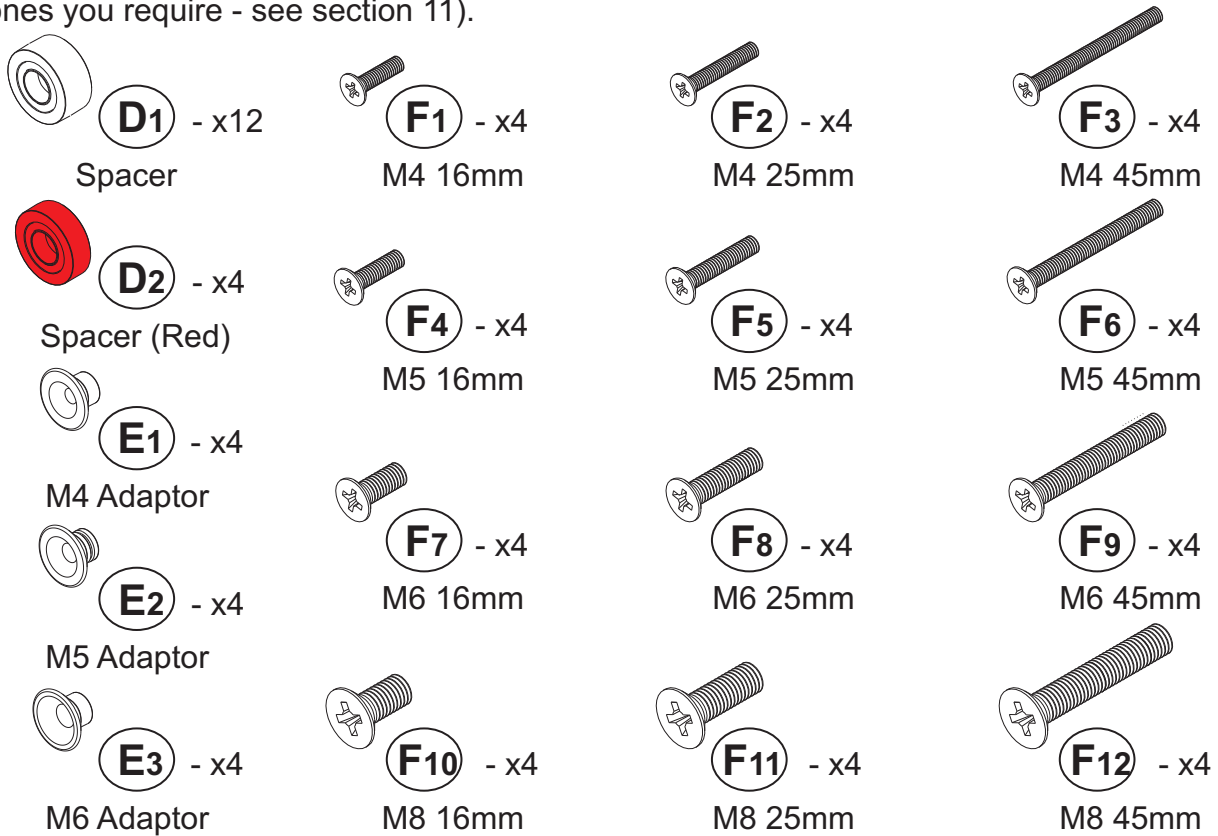
**AVF Group Ltd. Road 30. Hortonwood Ind Est, Telford, Shropshire, TF1 7YE, England**

# 1 Boxed Parts

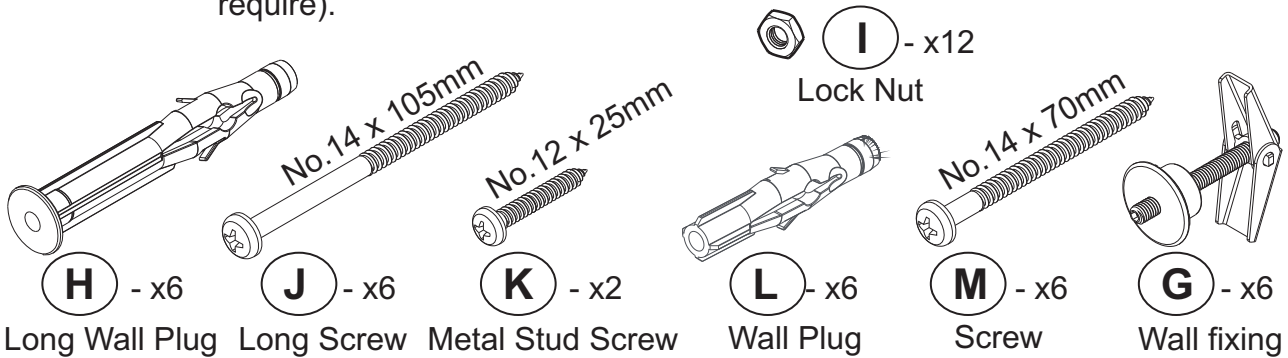
You will not need all these parts, so expect there to be some left over depending upon the specification of your TV.



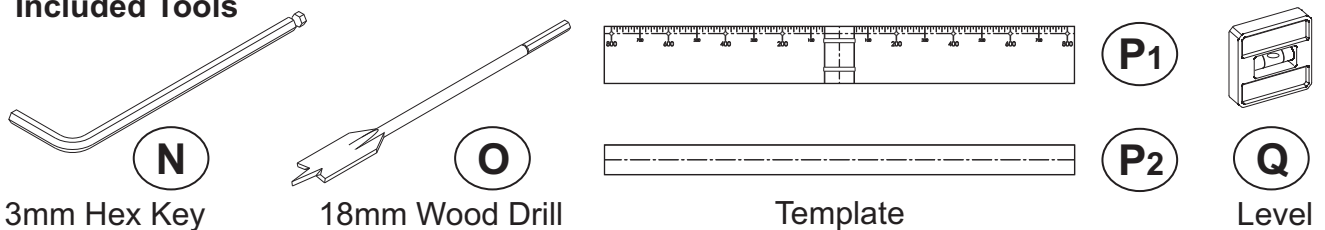
**TV Fixings:** Parts go on the back of the TV (specification of your TV will determine which ones you require - see section 11).



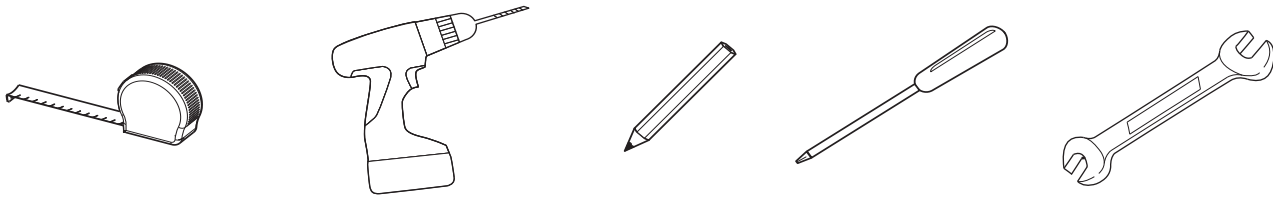
**Wall Fixings:** Parts to attach to the wall (type of wall will determine which fixings you require).



**Included Tools**

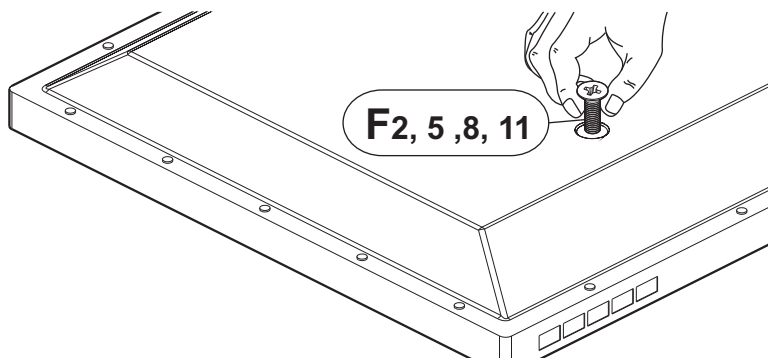


## 2 Tools Required



## 3 Determine Correct TV Screw Size

Choose from the TV Fixings selection. You need to determine which length and diameter of screws fits your TV. To determine the correct screw diameter, try screwing (F<sub>2</sub>), (F<sub>5</sub>), (F<sub>8</sub>) & (F<sub>11</sub>) into one of the fixing holes on the back of the screen until you find the one that fits.



## 4 Fit Screen Hangers To TV

Once you have established which screws you need for your TV, you can attach the Hangers (B) and Stand-offs (C) to the back of your TV.

Typical recommended example shown is for fixings with the TV spaced 20mm from the wall. The TV Mount can position your TV between 12mm and 40mm from the wall. For alternative configurations see section 11.

You might need to use spacers to increase the clearance of your TV from the wall in order to avoid cables coming out of your TV and improve access and ventilation to the back of your TV (spacers (D1) allow you to have a gap of 20mm or 40mm, see section 11).

In certain circumstances it may be necessary to use red spacer (D2) as either a replacement or addition to spacer (D1), for more information please see section 11.

If your TV fixing centres don't fit, STOP installation and contact the customer services helpline.

### Top Fixings

F<sub>2</sub>, 5, 8, 11

E<sub>1</sub>, 2, 3

\* If Required

B

D1

### Bottom Fixings

F<sub>2</sub>, 5, 8, 11

E<sub>1</sub>, 2, 3

C

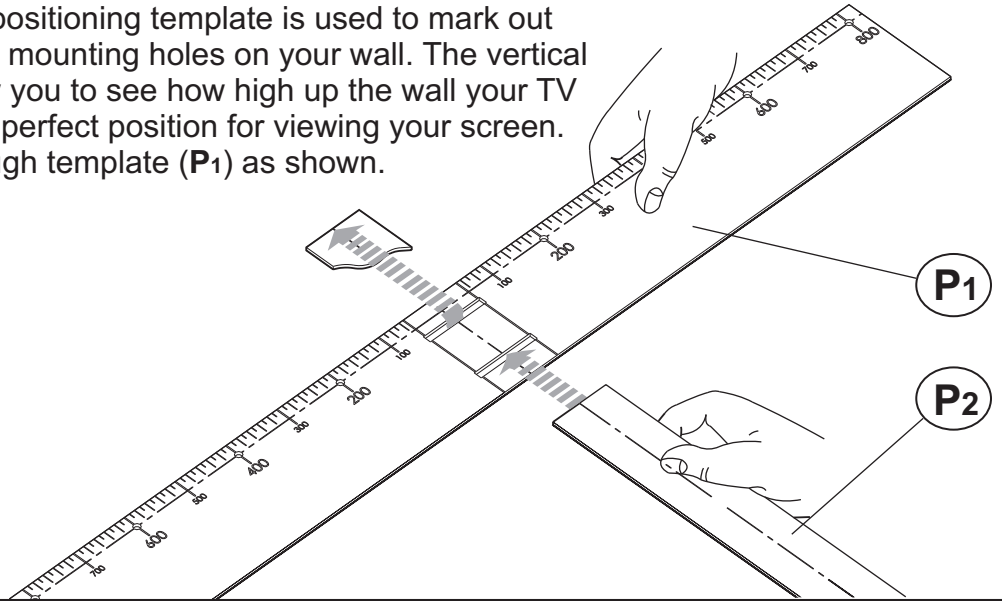
D1

TV must be parallel to wall. Use spacers / stand-offs as shown.

\* If using screw (F<sub>2</sub>) use Adapter (E<sub>1</sub>)  
If using screw (F<sub>5</sub>) use Adapter (E<sub>2</sub>)  
If using screw (F<sub>8</sub>) use Adapter (E<sub>3</sub>)  
If using screw (F<sub>11</sub>) No Adapter required

# 5 Assemble Positioning Template

The horizontal part of the positioning template is used to mark out where you need to drill the mounting holes on your wall. The vertical part is just a guide to allow you to see how high up the wall your TV will be to help you find the perfect position for viewing your screen. Thread template (P2) through template (P1) as shown.



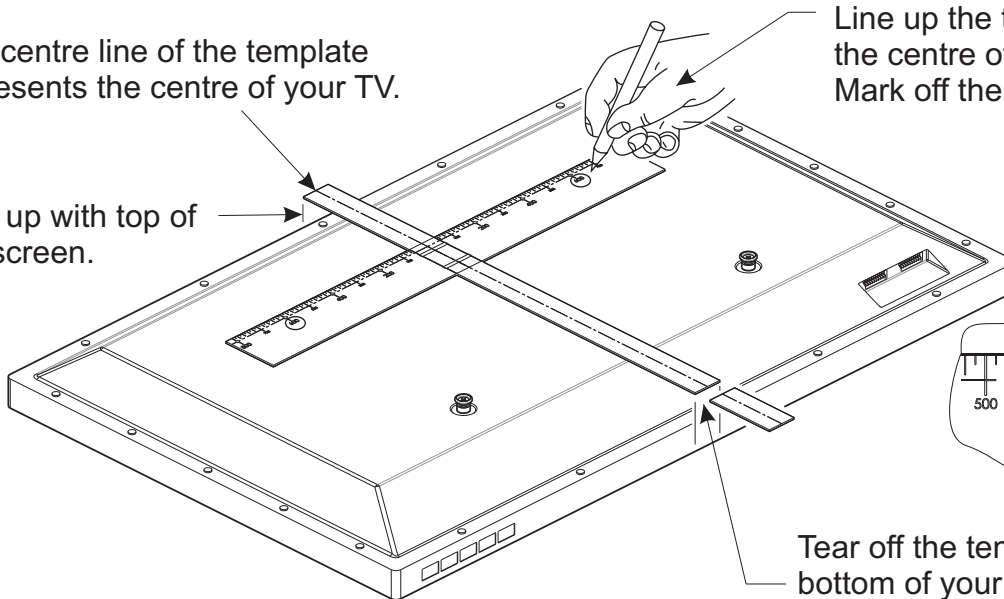
# 6 Determine Bracket Hole Centres

Lay the template on the back of the TV and follow the instructions below.

The centre line of the template represents the centre of your TV.

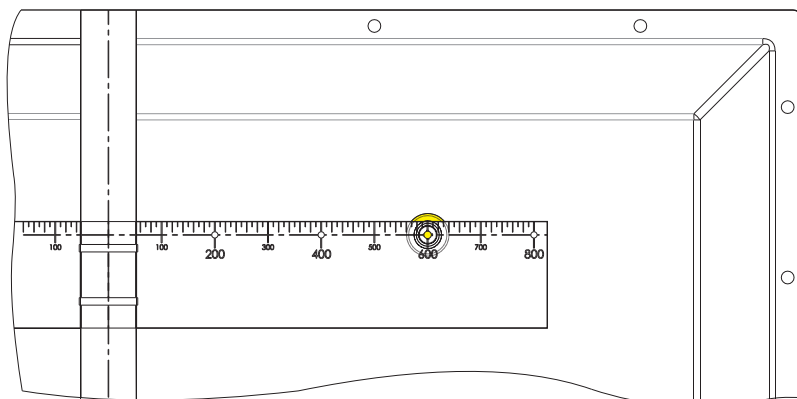
Line up with top of the screen.

Line up the template with the centre of the screen. Mark off the fixing centres.



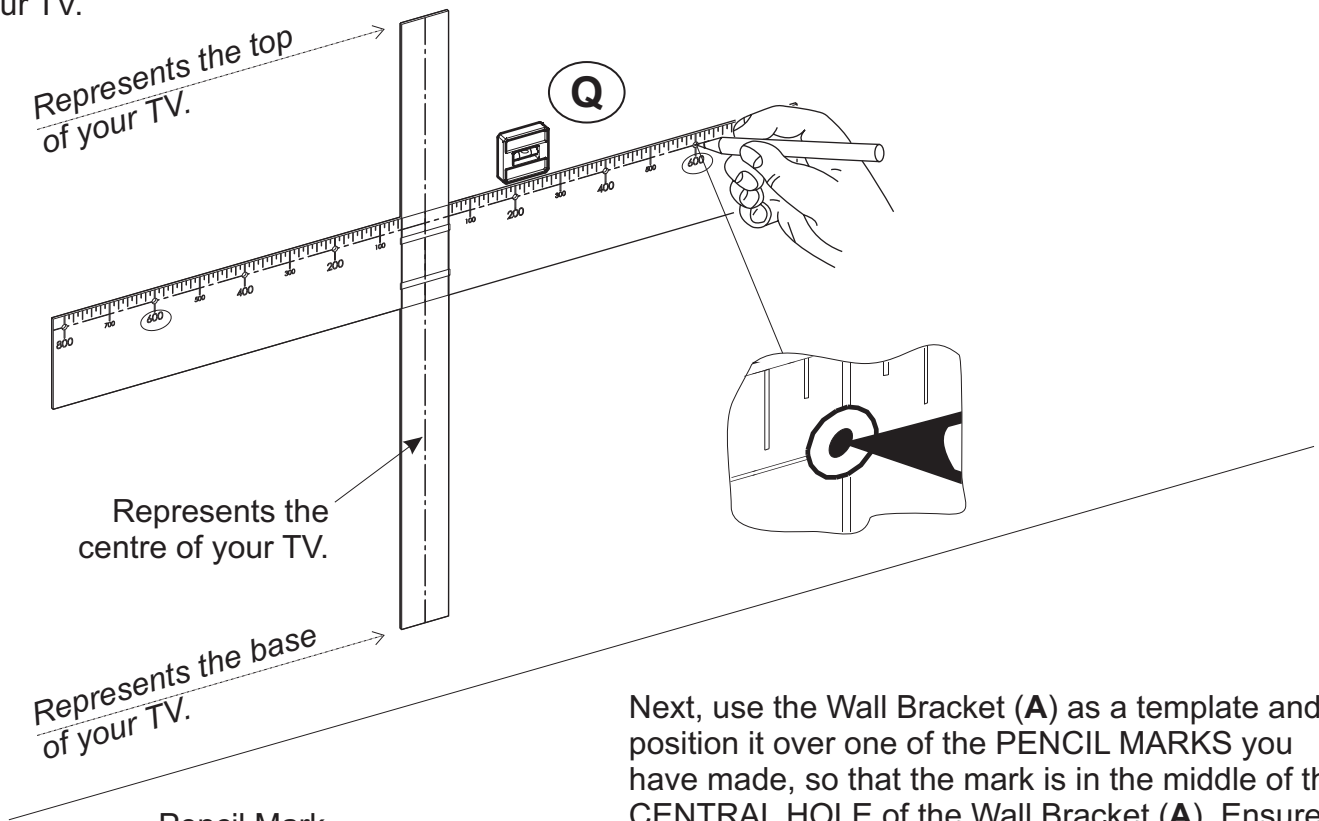
Tear off the template flush with the bottom of your TV so that when the template is on the wall you can see exactly where your TV will be vertically (distance from the floor and ceiling).

If your screen fixings do not line up with any holes on the template then ensure template is on the centre of the screen, and punch holes to suit your screen fixings centres with a pencil or sharp object.

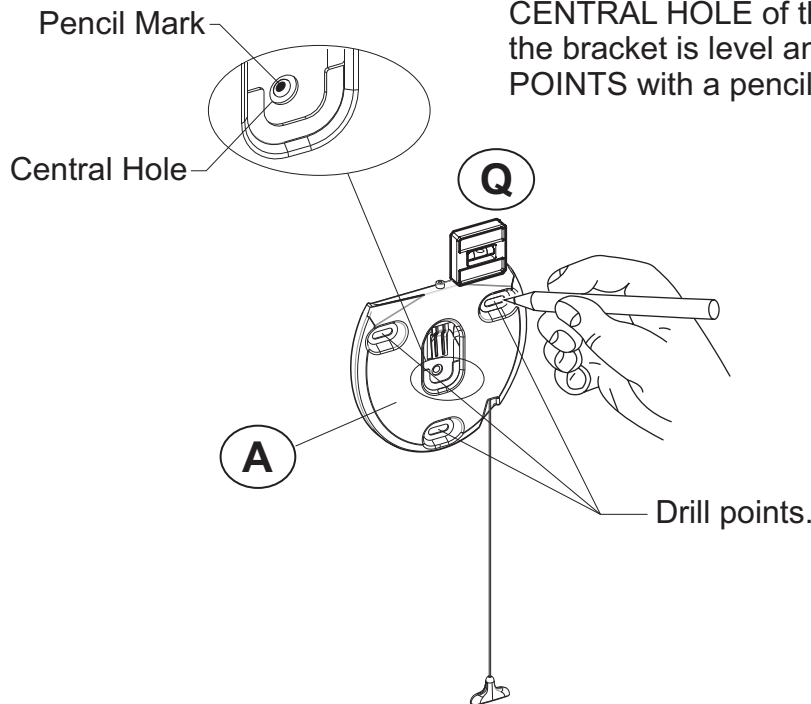


# 7 Marking Wall For Drill Points

Use your template to mark two points on the wall that correspond with the top fixing centres of your TV.



Next, use the Wall Bracket (A) as a template and position it over one of the PENCIL MARKS you have made, so that the mark is in the middle of the CENTRAL HOLE of the Wall Bracket (A). Ensure the bracket is level and mark the three DRILL POINTS with a pencil. Repeat for both brackets.



# 8 Planning & Preparation

Determine the wall type that you have (i.e. Brick/Stud/Plasterboard/Sheetrock).

Ensure the drilling area is free from mains services (Gas/Electric/Water).

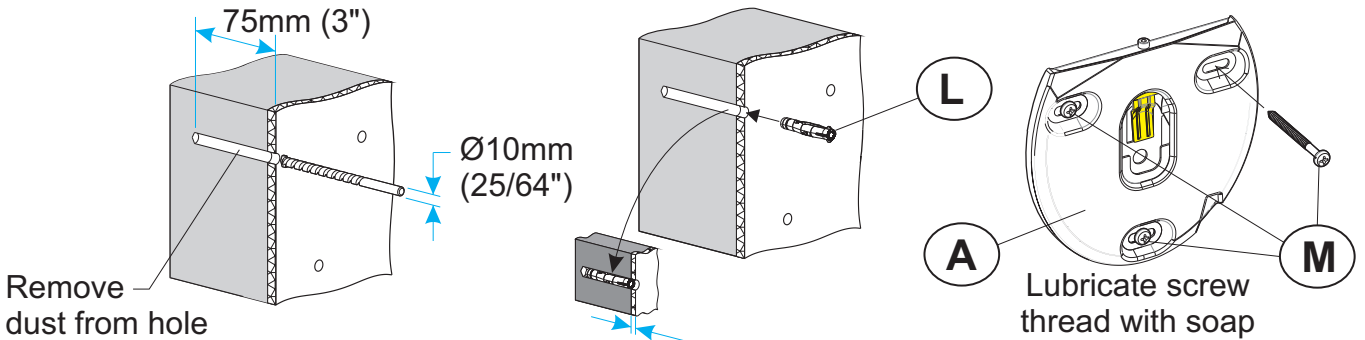
Drill six 3mm diameter pilot holes to verify the wall type and select the appropriate fixings (See Section 9).

# 9 Install Wall Fixings

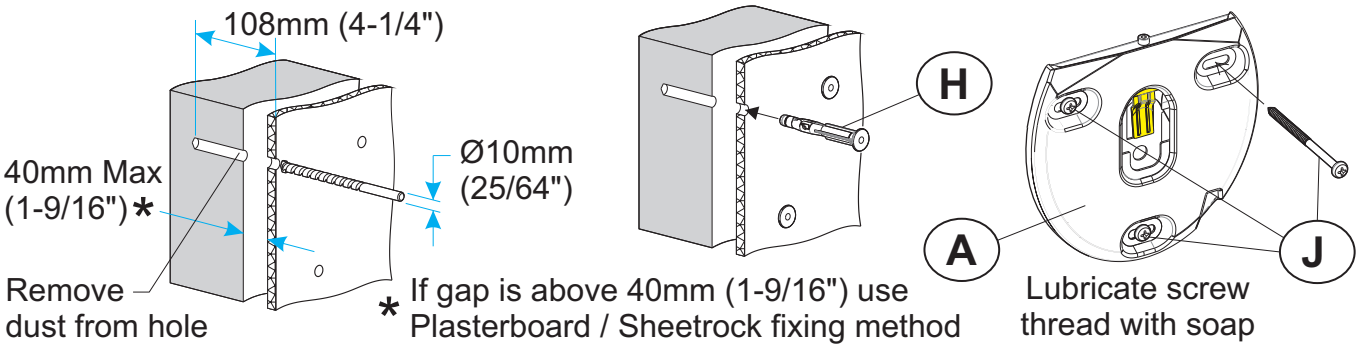
Use the correct fixings for your wall type. Mixing fixing types may be required for installations that span different wall types. **DO NOT OVER TIGHTEN SCREWS.**



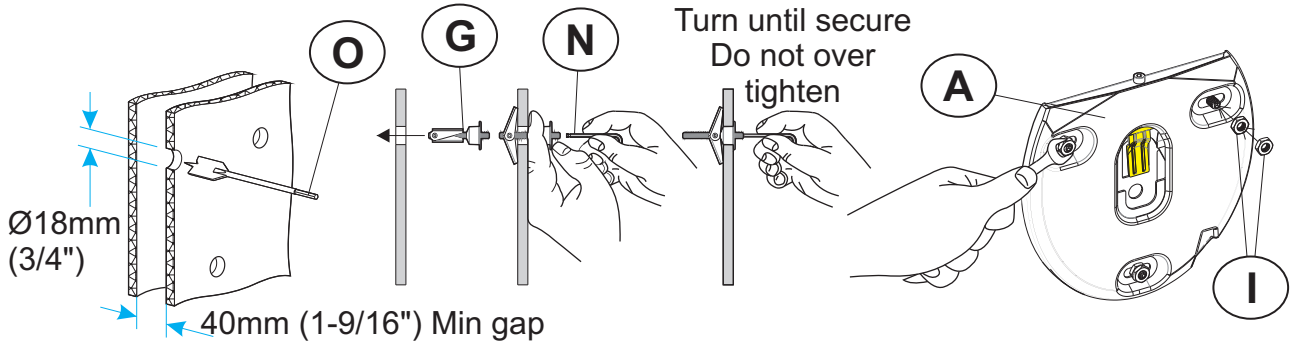
## Solid Wall



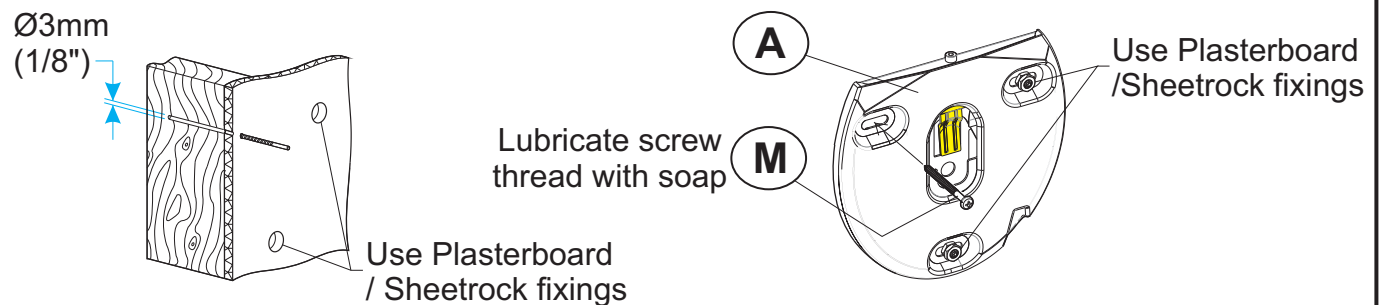
## Dot & Dab



## Plasterboard / Sheetrock

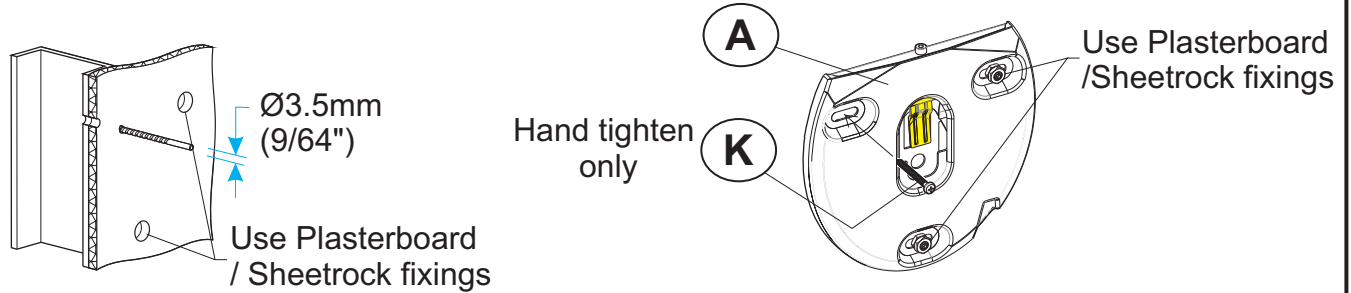


## Wood Stud



Only one fixing will be in the wood stud. The other fixings will be in plasterboard / sheetrock (see above).

## Metal Stud

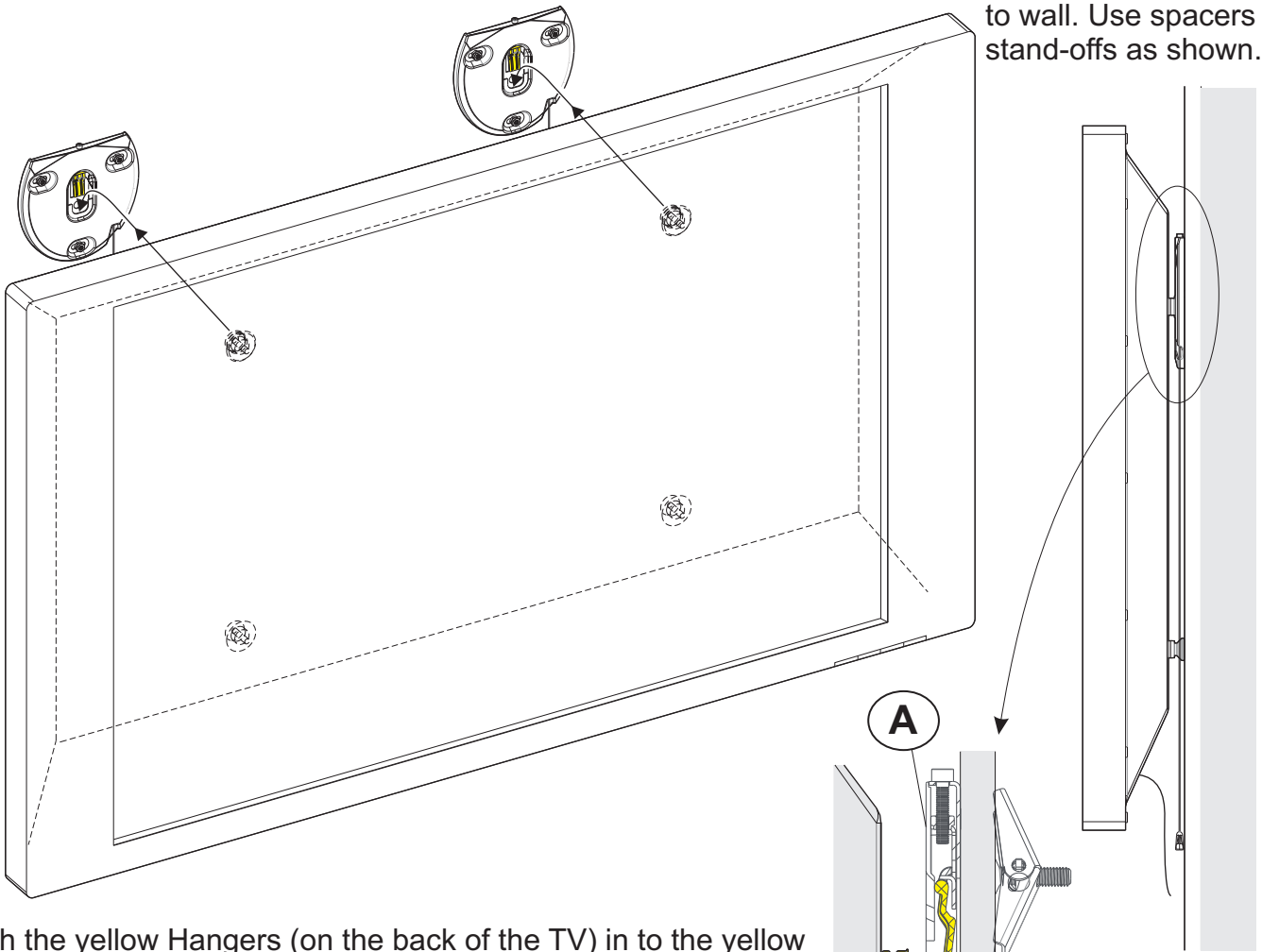


Only one fixing will be in the metal stud. The other fixings will be in plasterboard / sheetrock (see above).

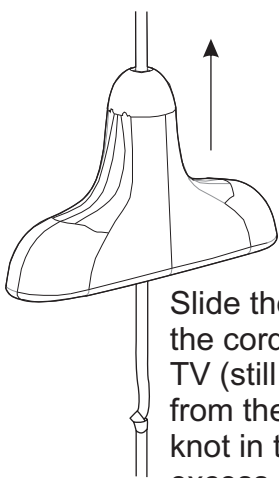


# 10 Hanging The TV

TV must be parallel to wall. Use spacers / stand-offs as shown.

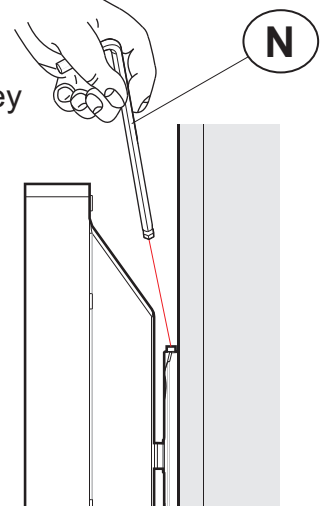


Push the yellow Hangers (on the back of the TV) in to the yellow receptor on the Wall Brackets. Slide down into place. Ensure both yellow Hangers are fully engaged. If cables from the TV prevent the TV resting against the wall then an alternative fixing configuration will be required (See Section 11).



Slide the pull cord handles up the cord so they are behind the TV (still accessible but not visible from the front of the TV). Tie a knot in the cord and cut off the excess.

Use the 3mm hex key (N) to fine adjust the level of the TV once fitted to the wall.

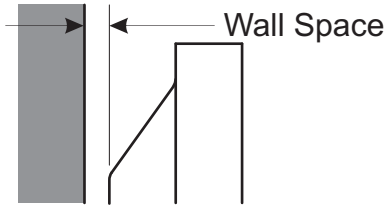


## Removing the TV:-

This is a two person job. To remove the TV, one person should pull both Pull Cords while another lifts the TV.

# Alternative Hanger Configurations

Alternative Wall spacings of 12mm, 20mm & 40mm can be achieved using the spacer / screw combinations listed in this section.



## 12mm Wall Space

### Top Fixings



**F1, 4, 7, 10**



\*

**E1, 2, 3**



**B**

### Bottom Fixings



**F1, 4, 7, 10**



\*

**E1, 2, 3**



**C**

## 20mm Wall Space (as shown in section 4)

### Top Fixings



**F2, 5, 8, 11**



\*

**E1, 2, 3**



**B**



**D1**

### Bottom Fixings



**F2, 5, 8, 11**



\*

**E1, 2, 3**



**C**



**D1**

## 40mm Wall Space

### Top Fixings



**F3, 6, 9, 12**



\*

**E1, 2, 3**



**B**



**D1**



**D1**



**D1**

### Bottom Fixings



**F3, 6, 9, 12**



\*

**E1, 2, 3**



**C**



**D1**



**D1**



**D1**

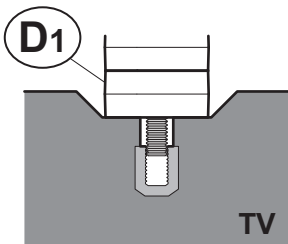
TV must be parallel to wall. Use spacers / stand-offs as shown.

- \* If using screw (F<sub>1</sub>),(F<sub>2</sub>) or (F<sub>3</sub>) use Adapter (E<sub>1</sub>)
- \* If using screw (F<sub>4</sub>),(F<sub>5</sub>) or (F<sub>6</sub>) use Adapter (E<sub>2</sub>)
- \* If using screw (F<sub>7</sub>),(F<sub>8</sub>) or (F<sub>9</sub>) use Adapter (E<sub>3</sub>)
- \* If using screw (F<sub>10</sub>),(F<sub>11</sub>) or (F<sub>12</sub>) No Adapter required

## When is it necessary to use red spacers?

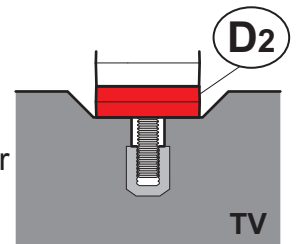


**D2** - x4



**Problem**  
Not enough screw engagement

It is recommended that when fitting Hangers (B) and Stand-offs (C) to your TV you have at least 5-10mm of screw engagement. In certain circumstances you may need to use red spacers (D2) as either a replacement, or together with spacers (D1) to achieve this. Whenever you use red spacers (D2) you must use all 4 provided.



**Solution**  
Red spacer (D2) has replaced spacer (D1)