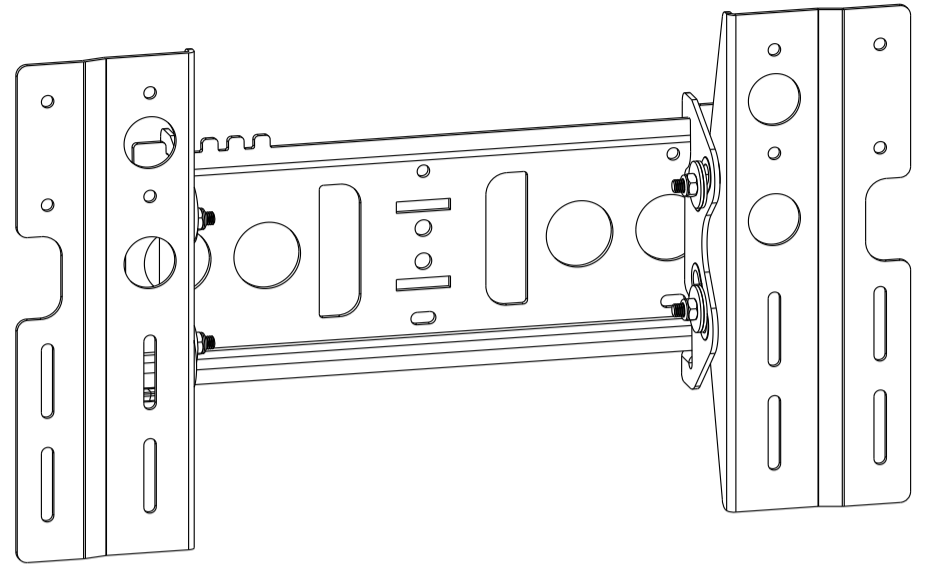
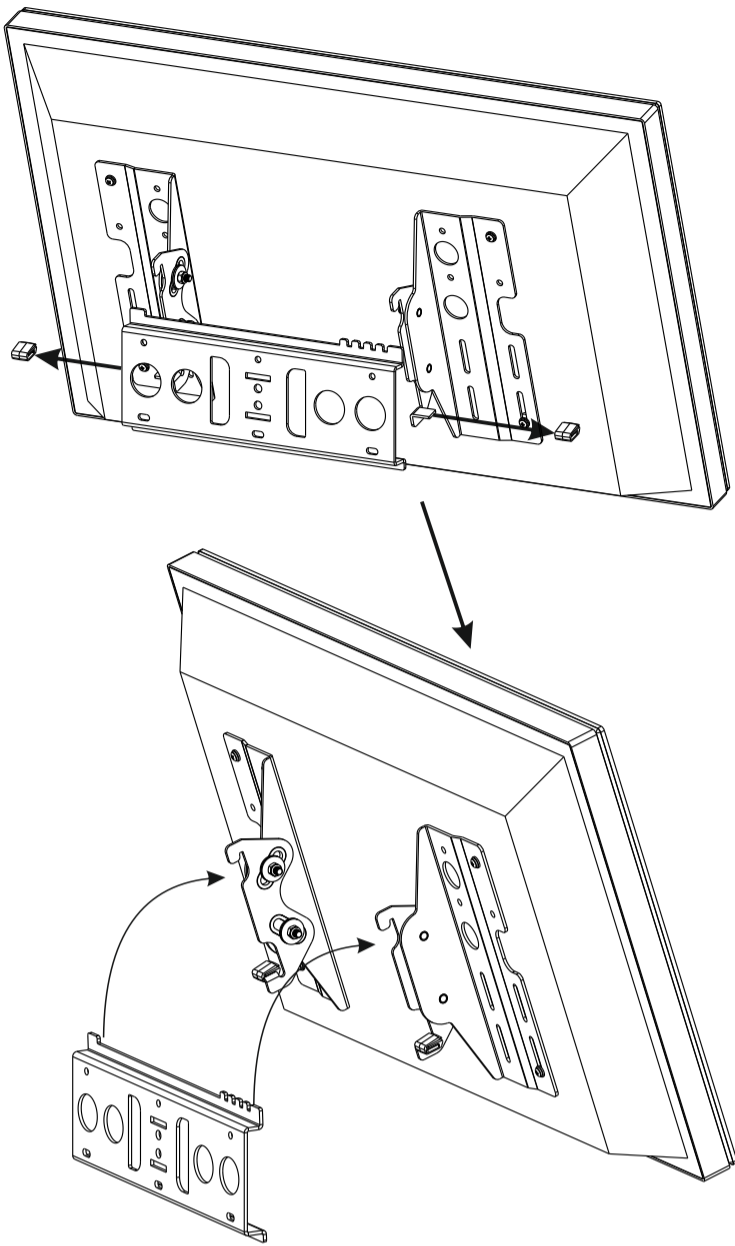


5

462690 rev 04

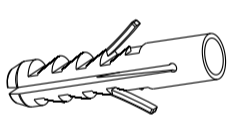
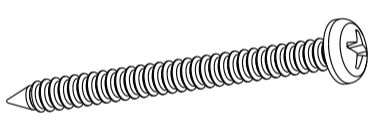
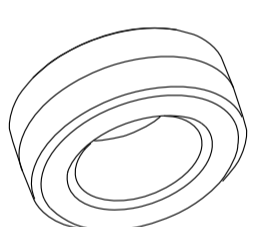
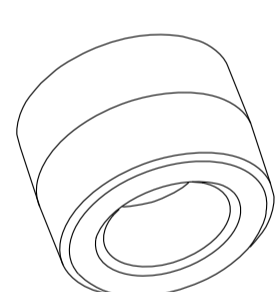
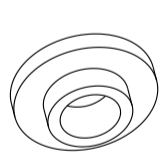
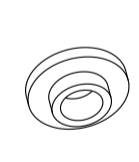
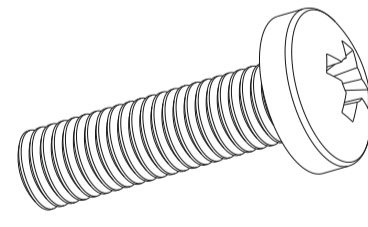
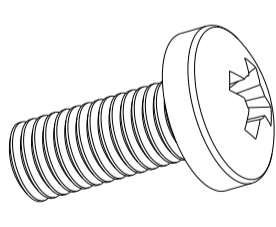
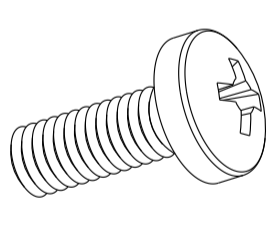
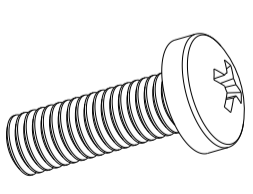
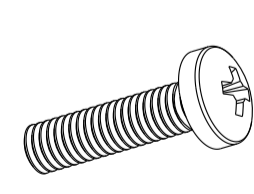
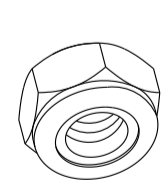
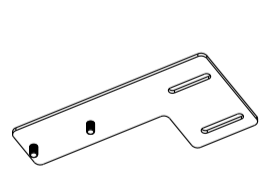
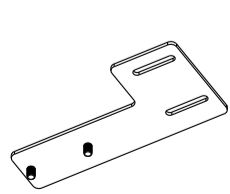
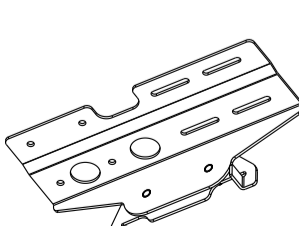
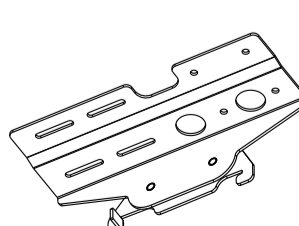
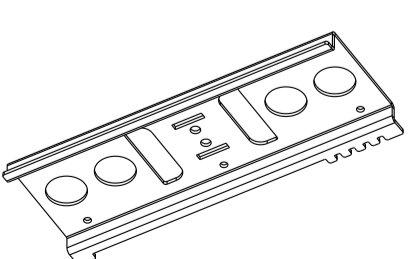


66lbs
30kg

47"
119cm

UL US
LISTED

AVF Group Ltd. Hortonwood 30, Telford, Shropshire, TF1 7YE, England.
+44 (0) 1952 670009 (UK)
 AVF Incorporated. 3187, Cornerstone Drive, Eastvale, CA 91752, USA.
1-800 667 0808 (USA)
 Orbital Holdings Inc. 3187, Cornerstone Drive, Eastvale, CA 91752, USA.
1-800 601 8450 (USA)

 K - X4		 J - X4		 L - X4		 I - X4	
 H - X8 M8-M6	 H - X4 M6-M4	 G - X4 M8x25		 G - X4 M8x16		 G - X4 M6x16	
 G - X4 M5x16		 G - X4 M4x16		 F - X8		 E - X2	
 D - X2		 G - X1		 B - X1		 A - X1	

