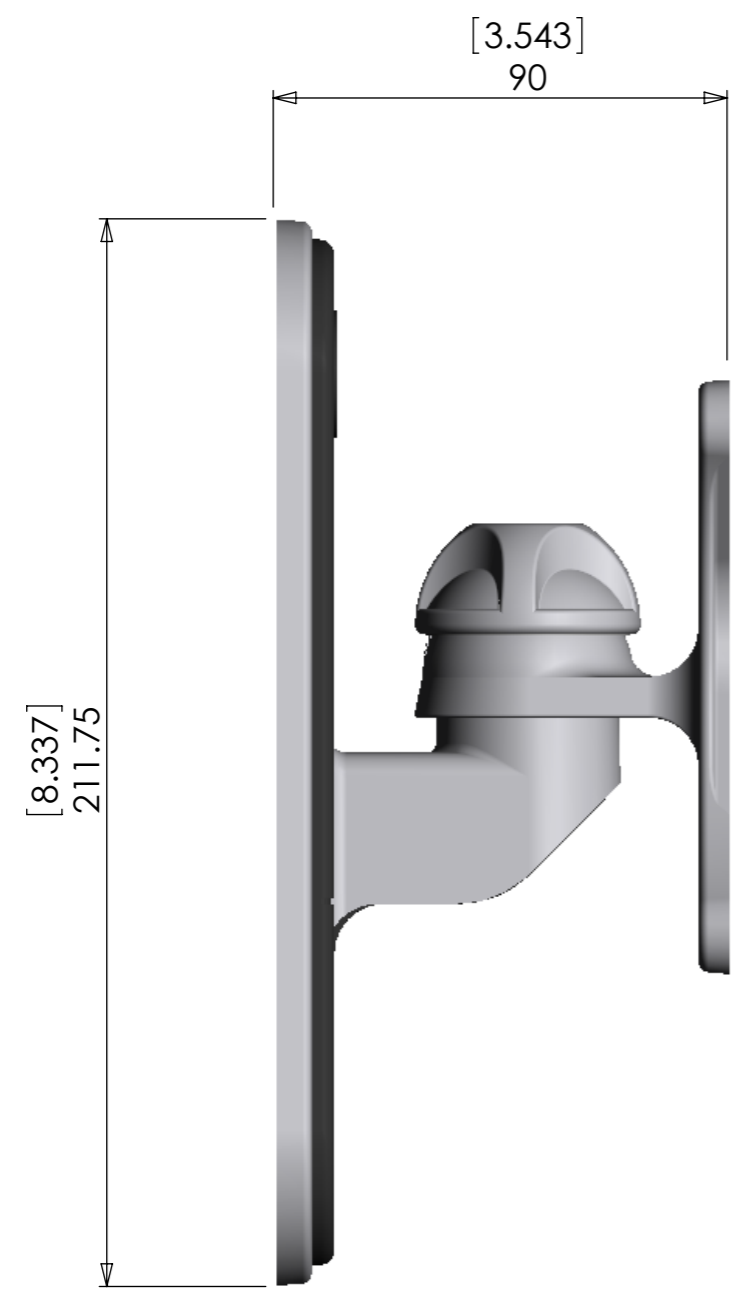




[4.646]
118

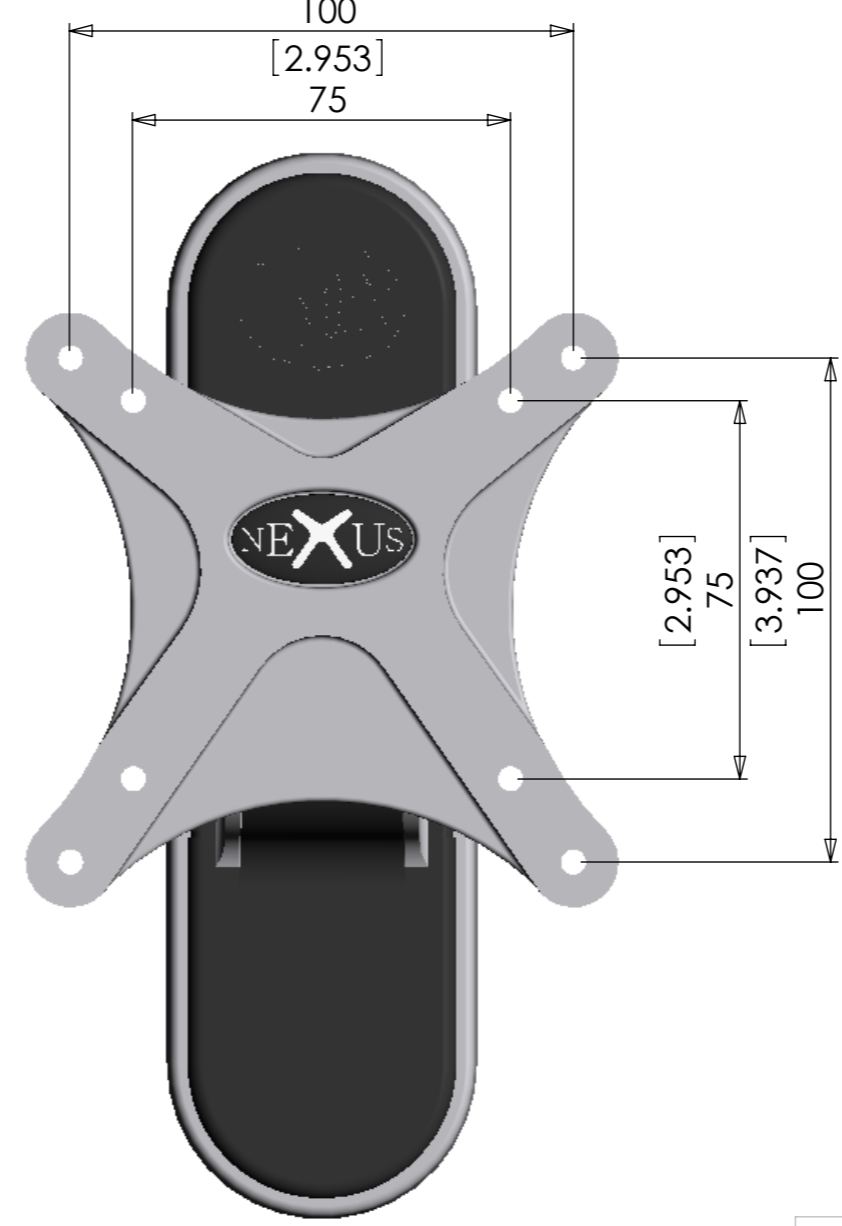
[3.937]
100

[2.953]
75



[3.543]
90

[8.337]
211.75



[2.953]
75

[3.937]
100

APPROX WEIGHT OF ABOVE ITEMS ONLY: 521.04g

The copyright of this drawing is the property of AVF Group Ltd