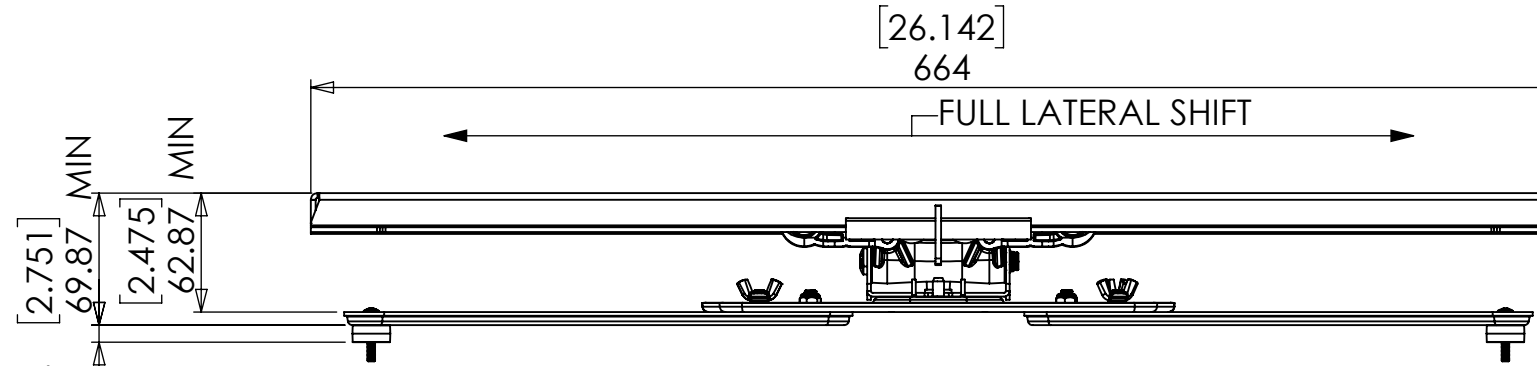
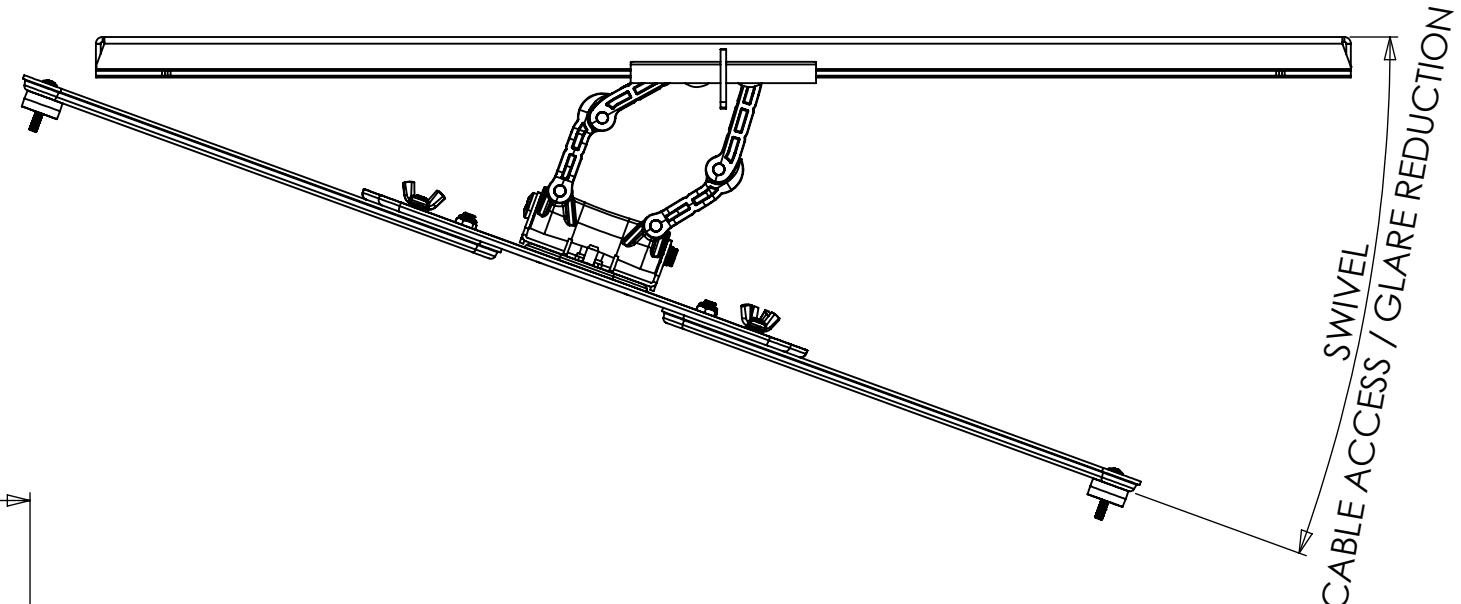
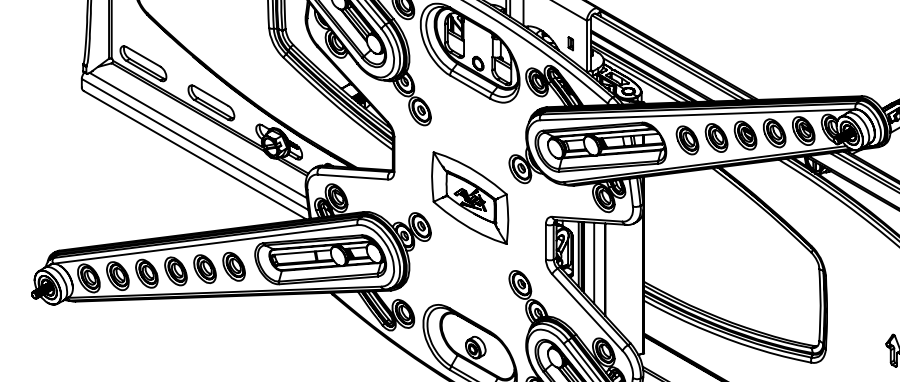
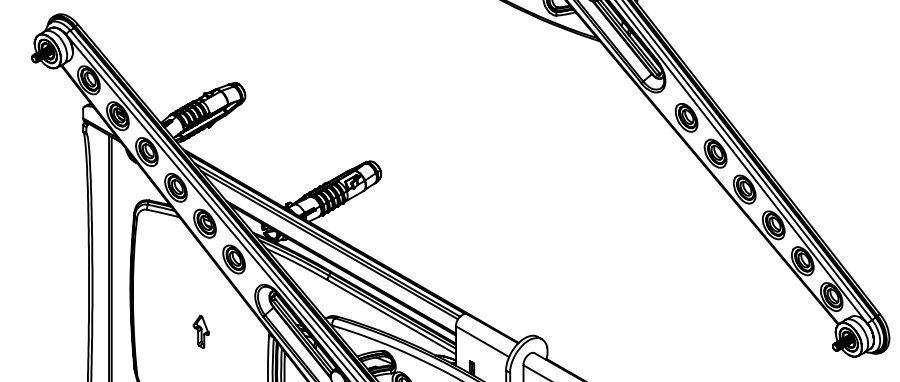
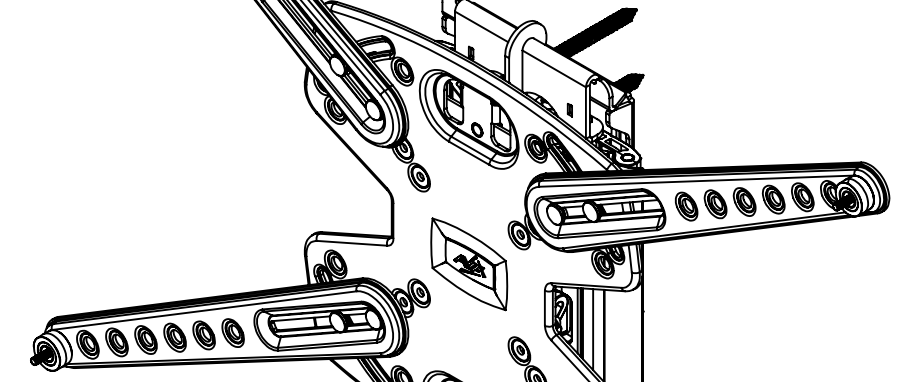


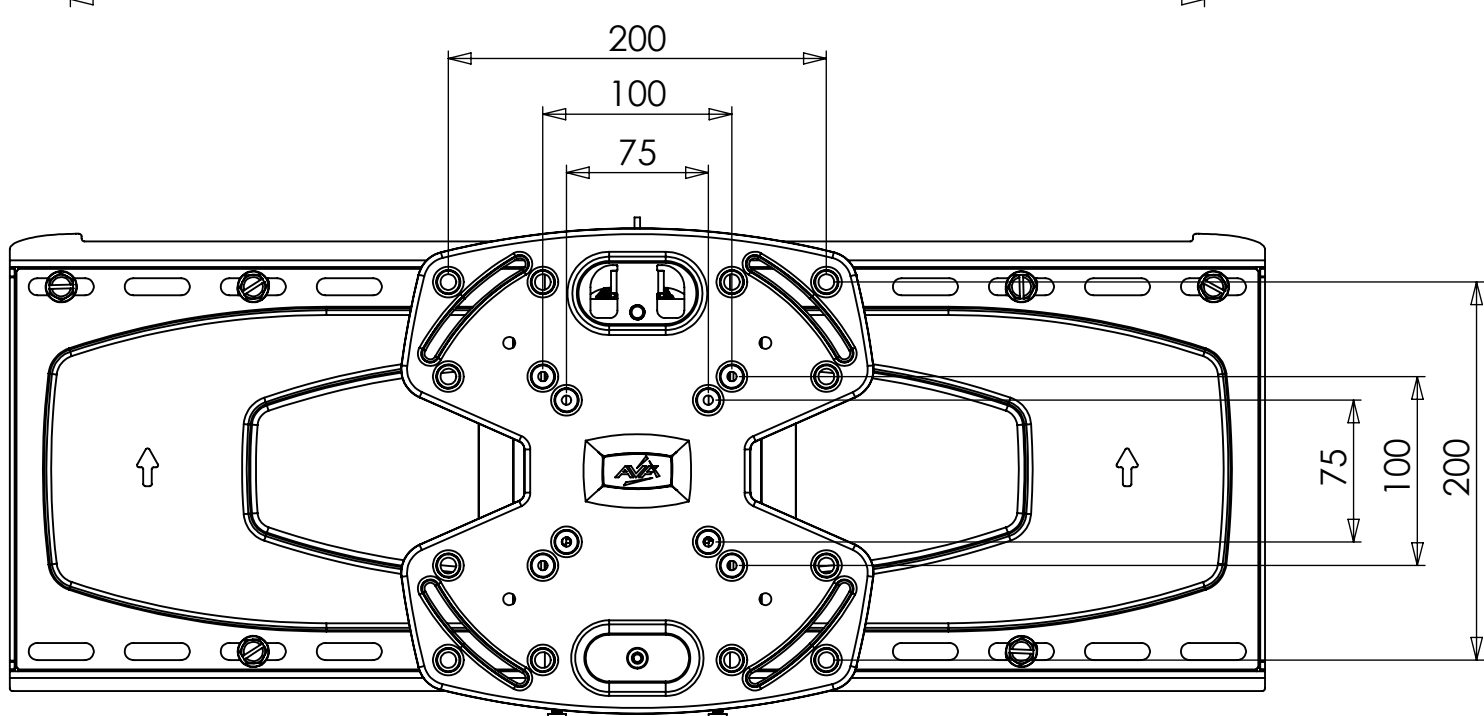
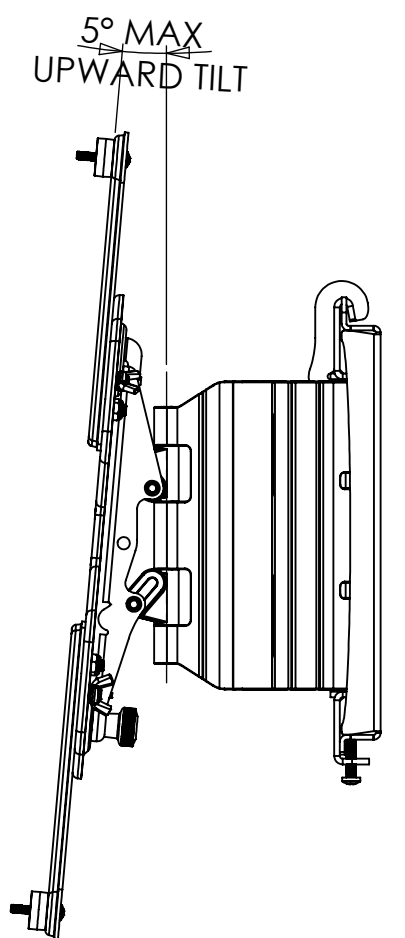
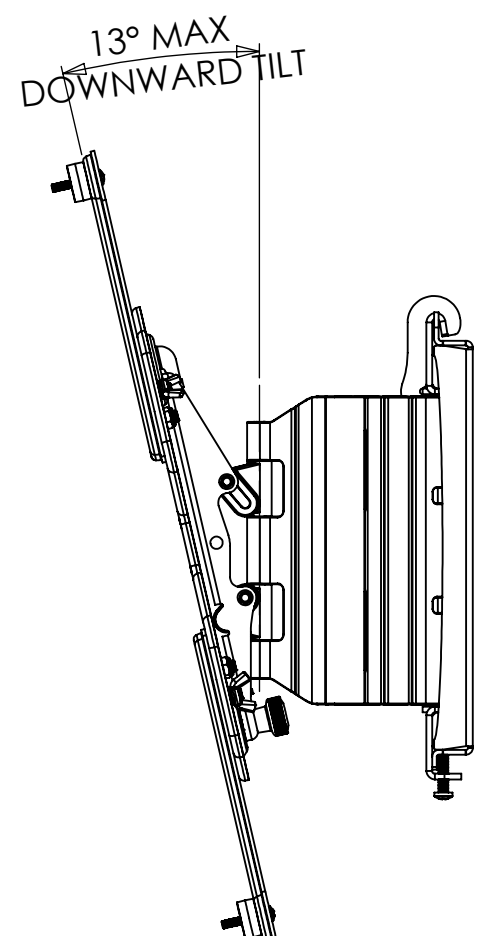
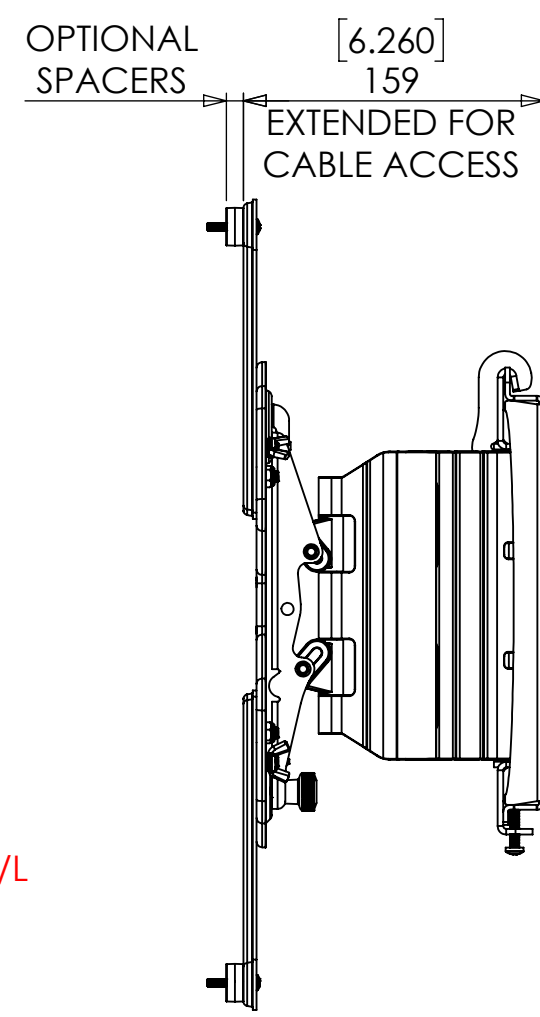
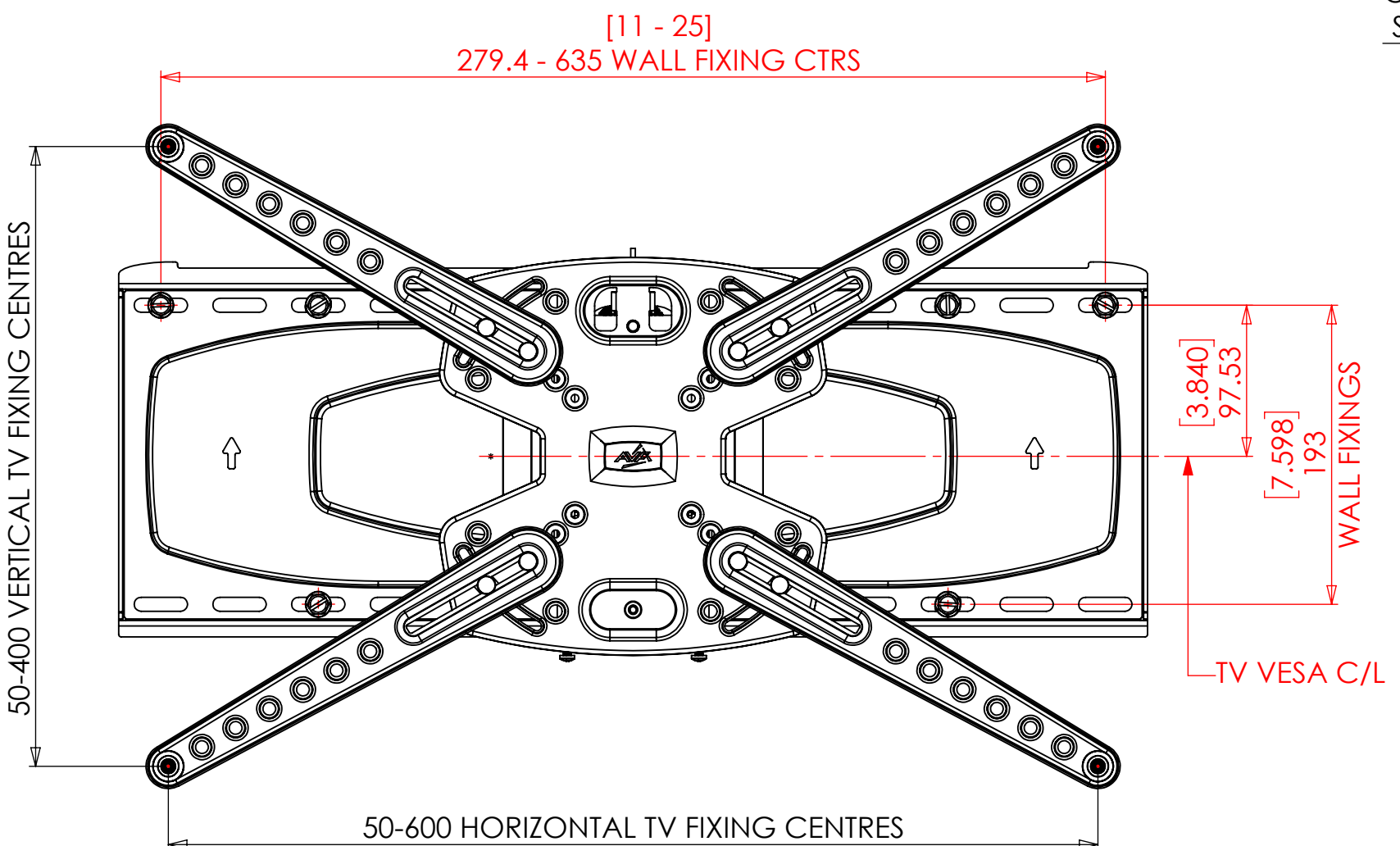
SINGLE STUD WALL FIXING OPTION



DOUBLE STUD OR SOLID WALL FIXING OPTION



DOUBLE STUD OR SOLID WALL FIXING OPTION  
 C/W FULL POST INSTALL LATERAL SHIFT



VESA CONFIGURATIONS WITHOUT ARMS

WEIGHT :-6205.03g  
 AS SHOWN WITHOUT PACKAGING