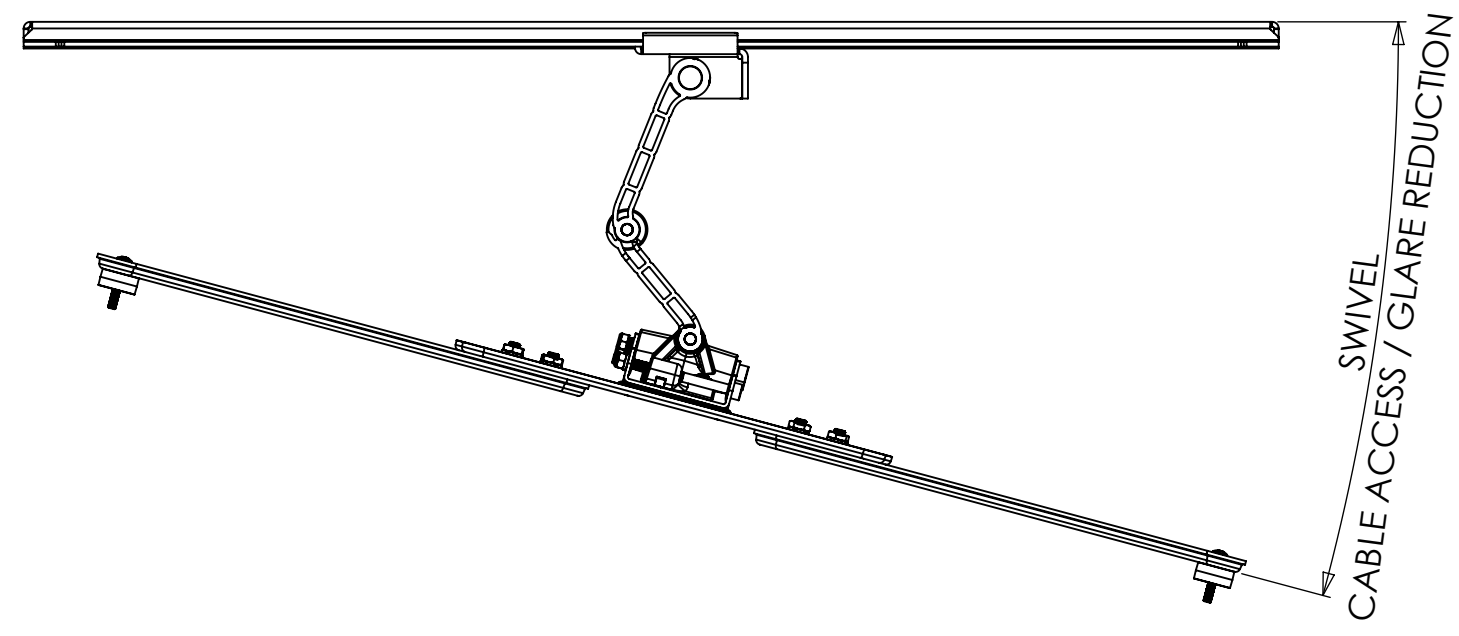
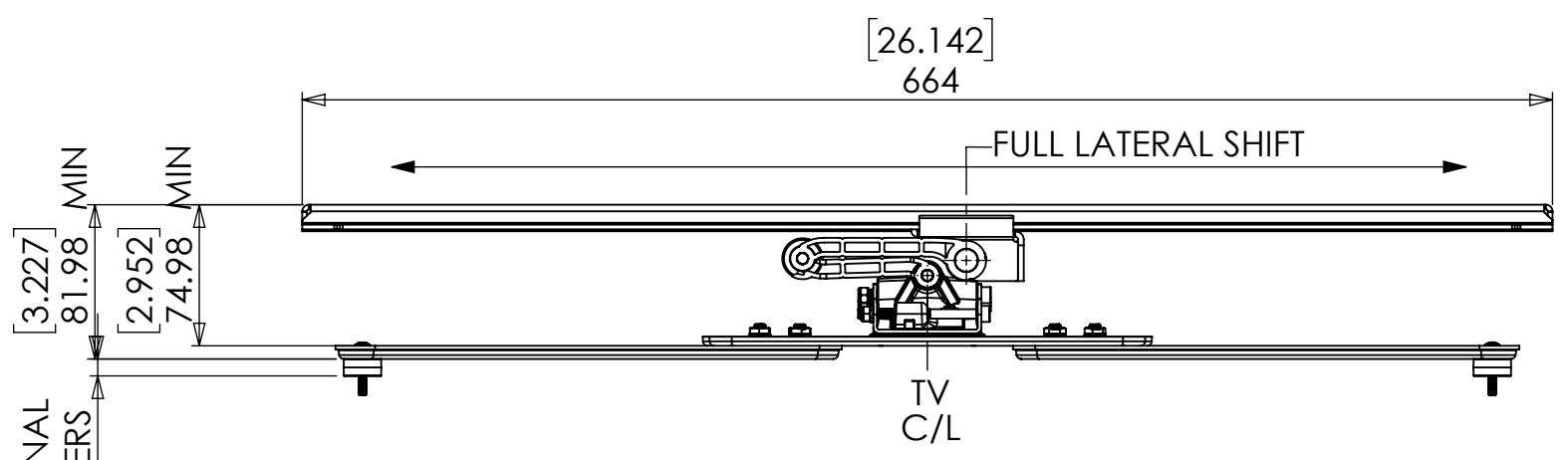


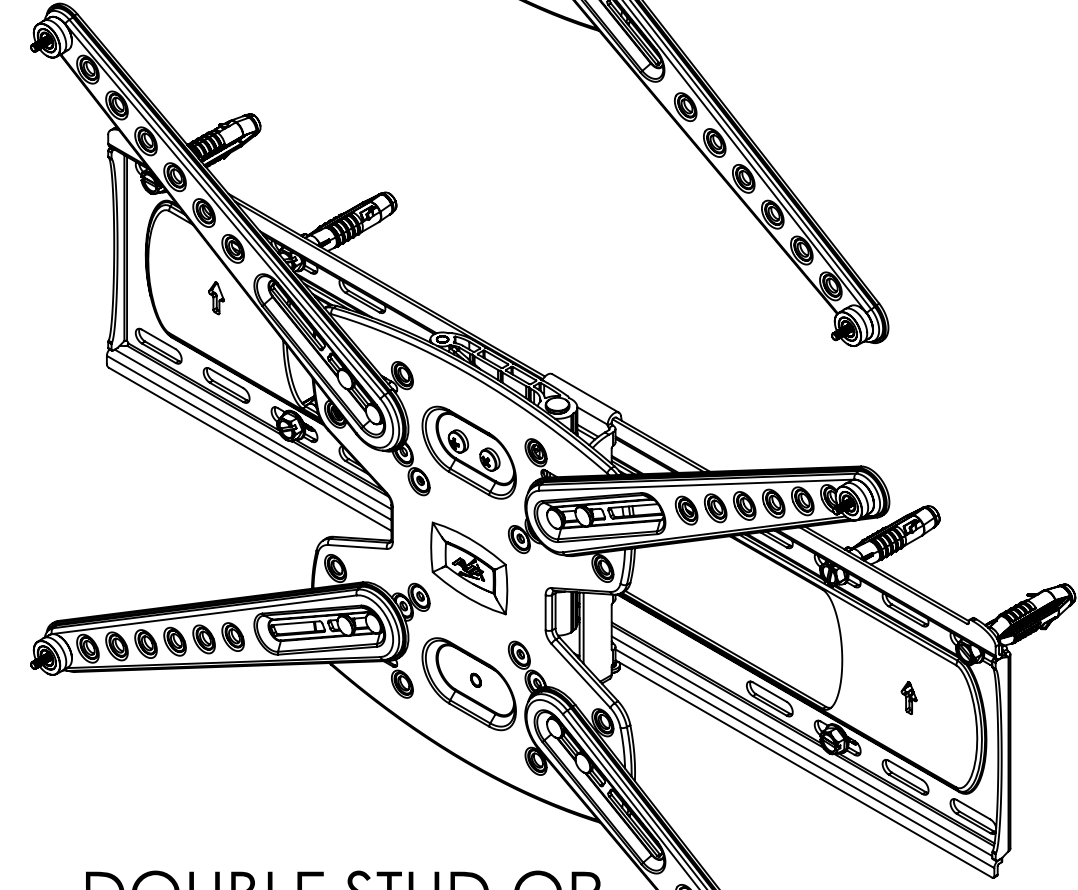
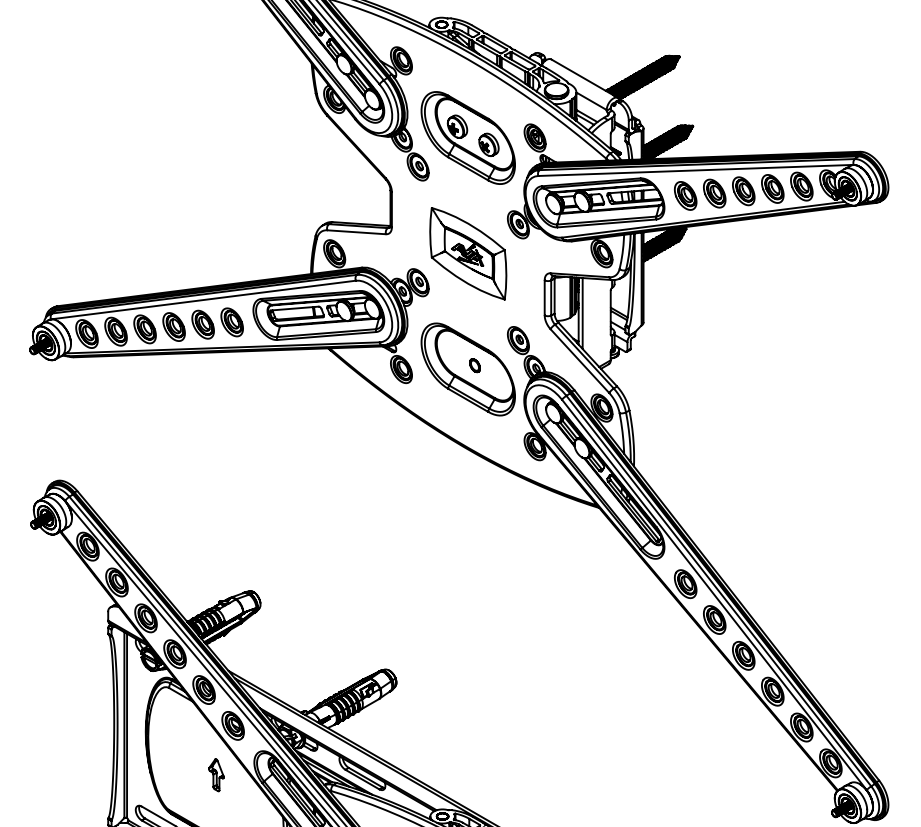
SINGLE STUD WALL FIXING OPTION



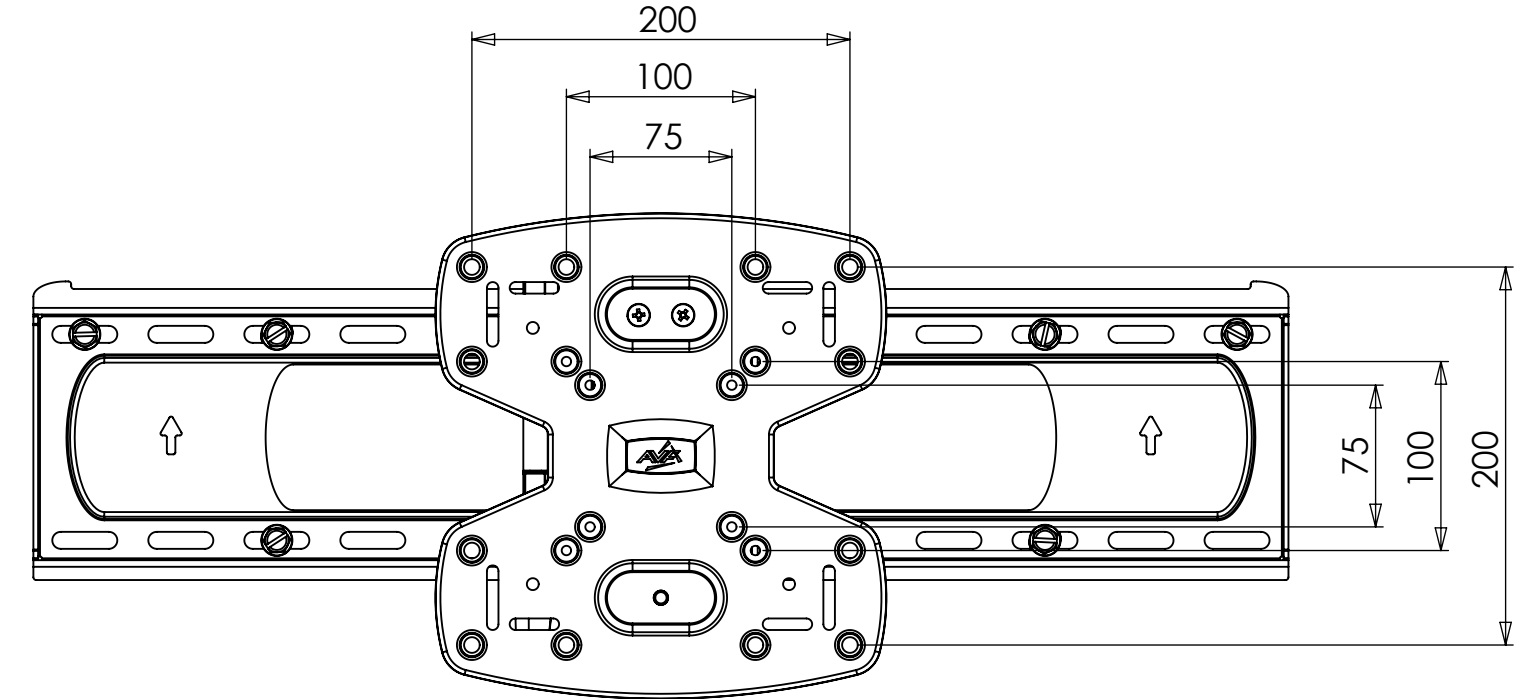
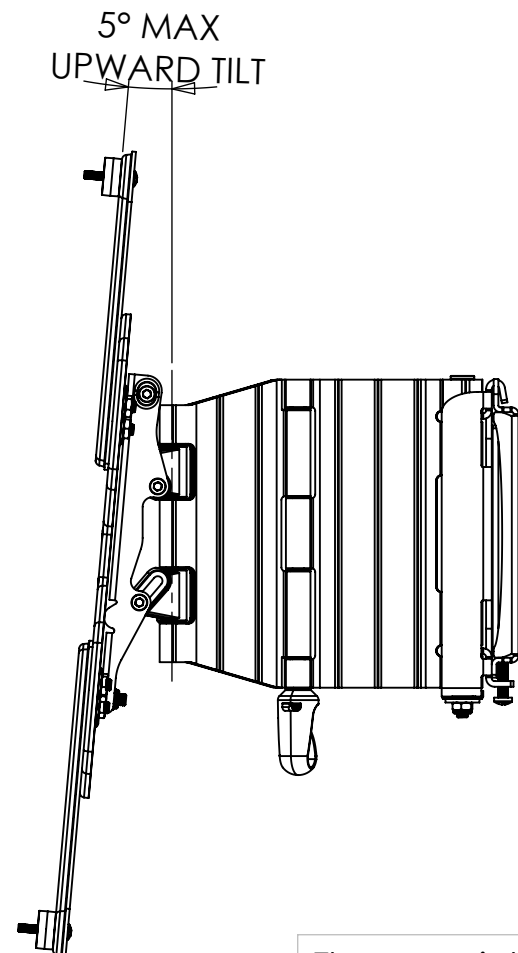
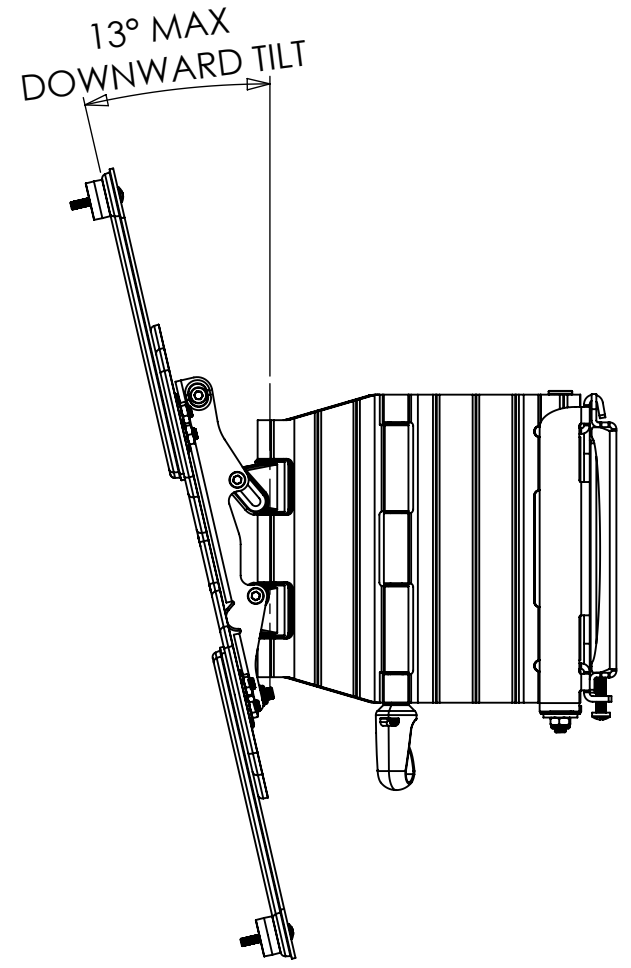
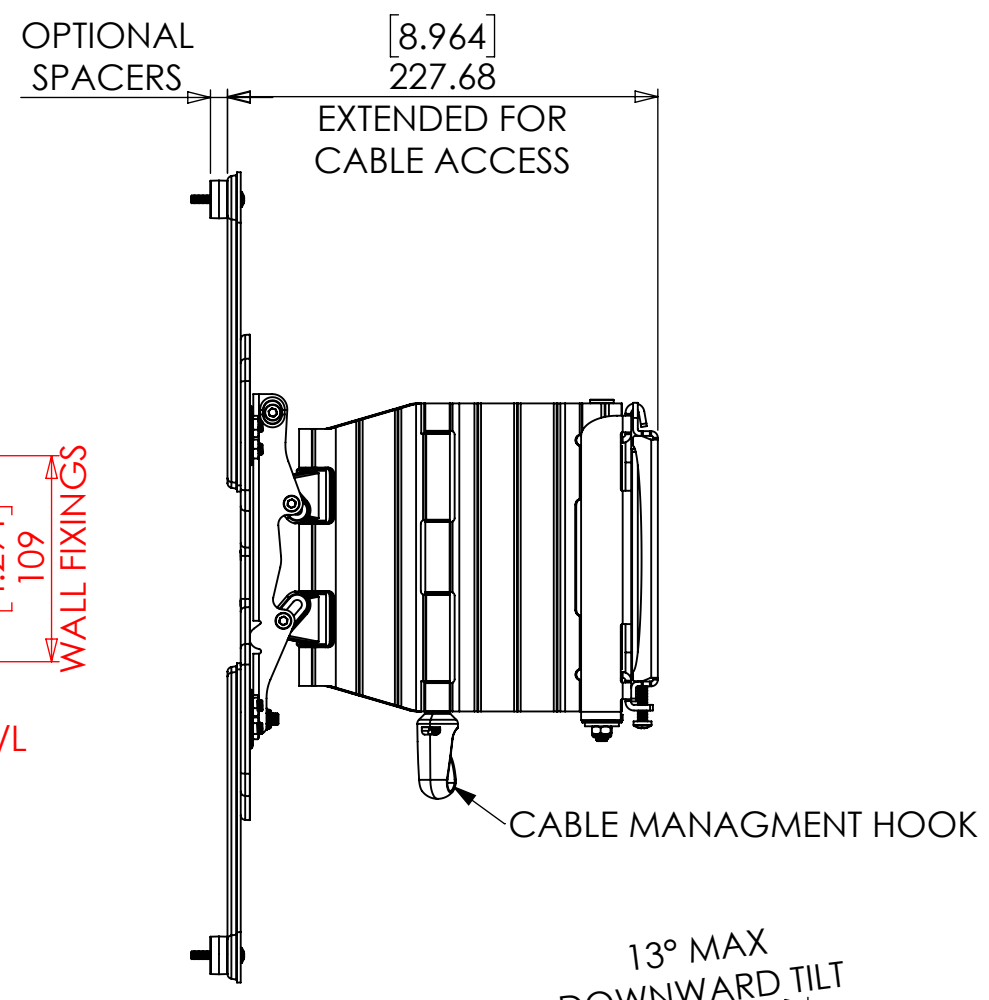
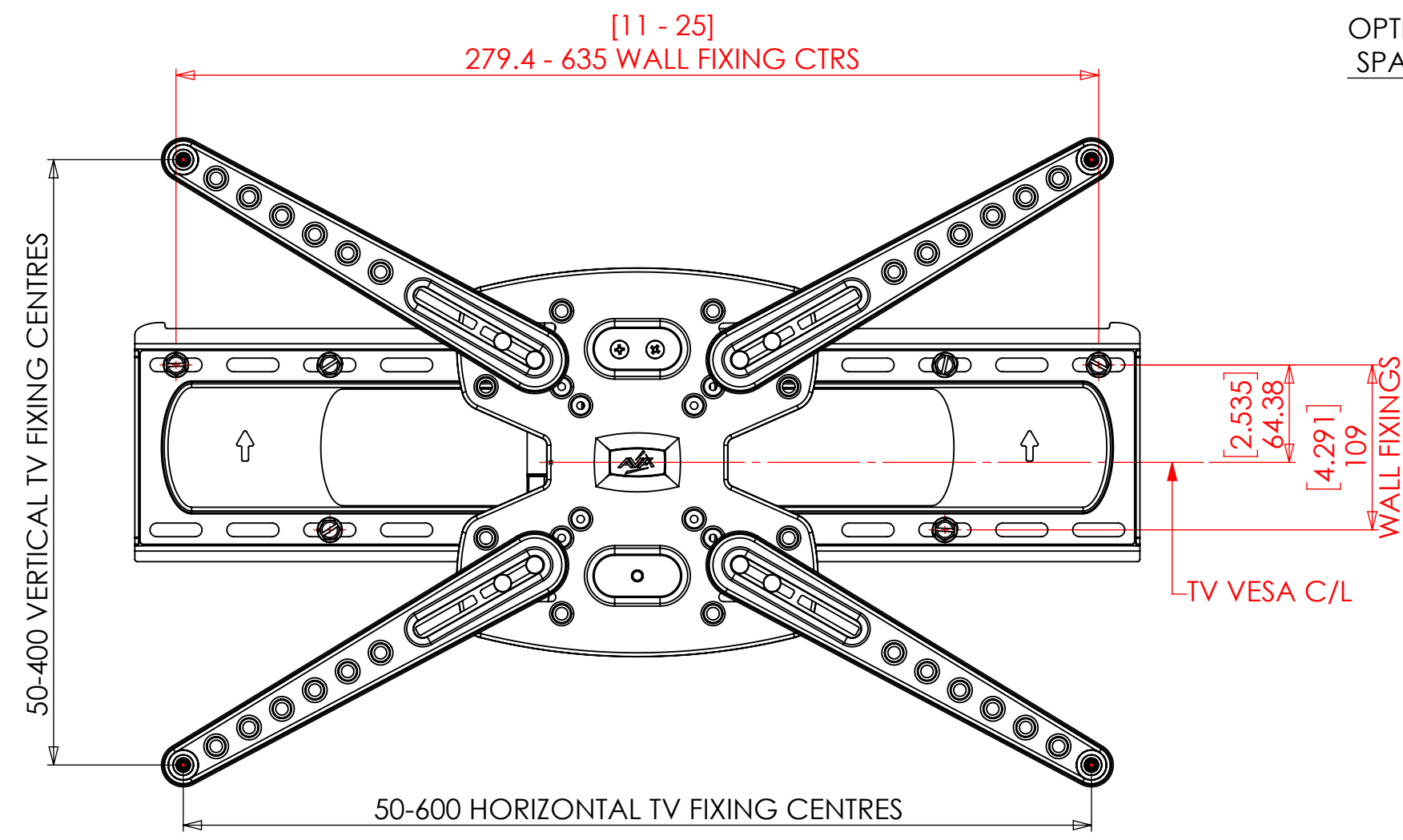
SINGLE STUD WALL FIXING OPTION



DOUBLE STUD OR SOLID WALL FIXING OPTION



DOUBLE STUD OR SOLID WALL FIXING OPTION
C/W FULL POST INSTALL LATERAL SHIFT



VESA CONFIGURATIONS WITHOUT ARMS

WEIGHT :-4597.92g
AS SHOWN WITHOUT PACKAGING