

[39.567]
1005

[36.969]
939 MAX
WALL FIXING CTRS

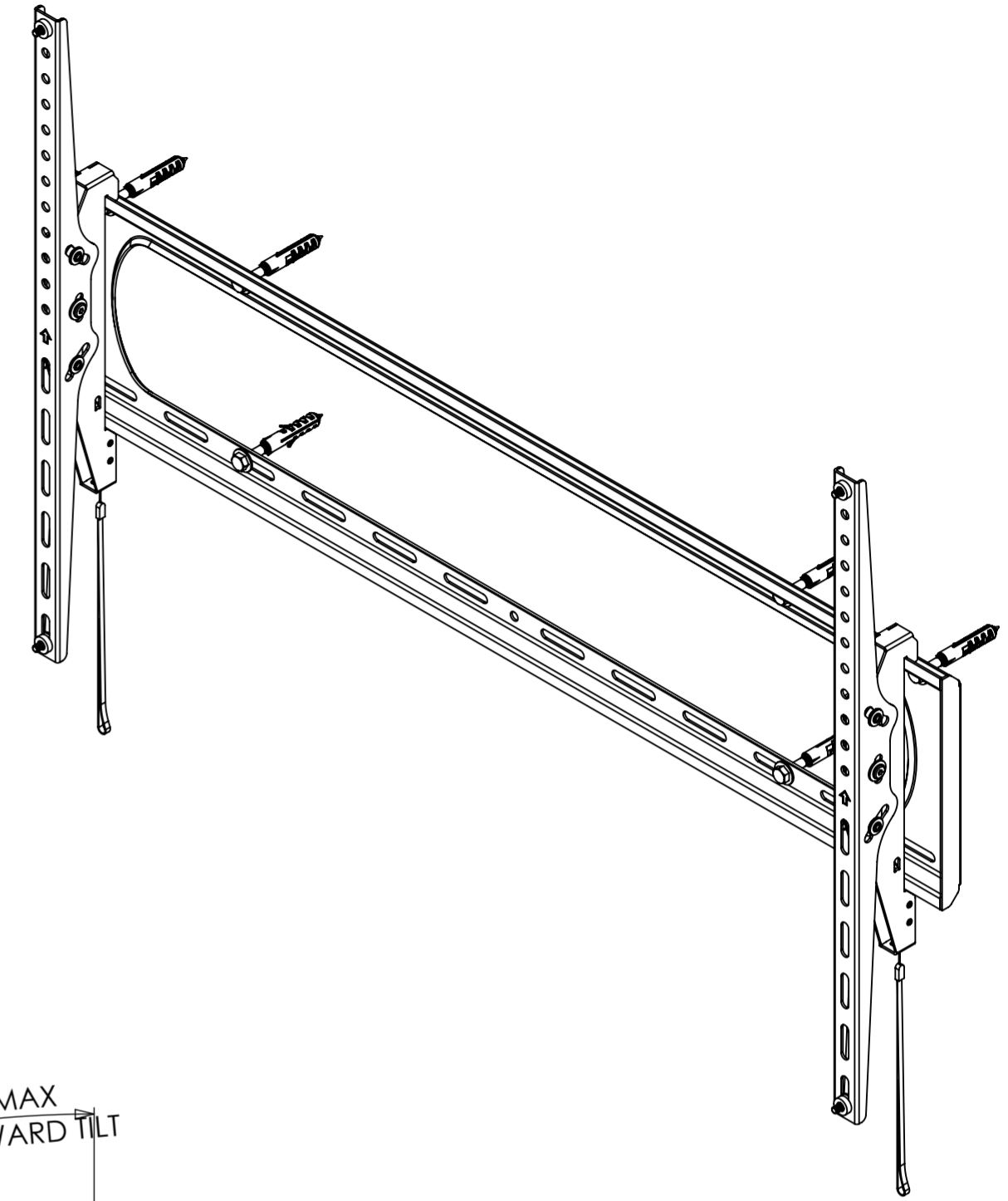
50-900 VESA

[8.425]
214

[6.850]
174

WALL FIXING CTRS

50-600 VESA
[24.606]
625



OPTIONAL SPACERS 79.53 MIN

10° MAX DOWNWARD TILT

10° MAX UPWARD TILT

WEIGHT :- 4505.25g
(AS SHOWN WITHOUT PACKAGING OR SPARE PARTS)