

A

B

C

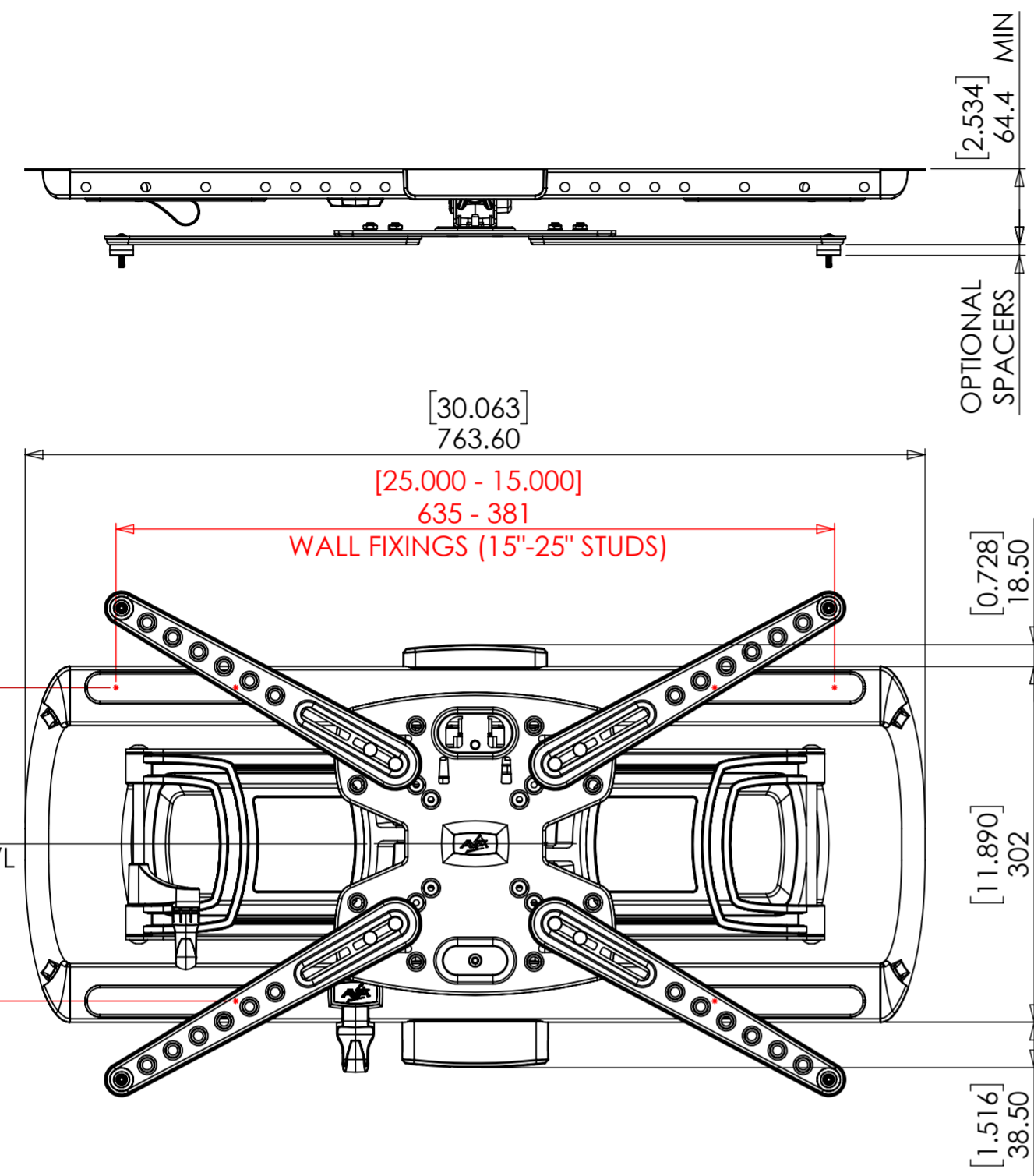
D

E

F

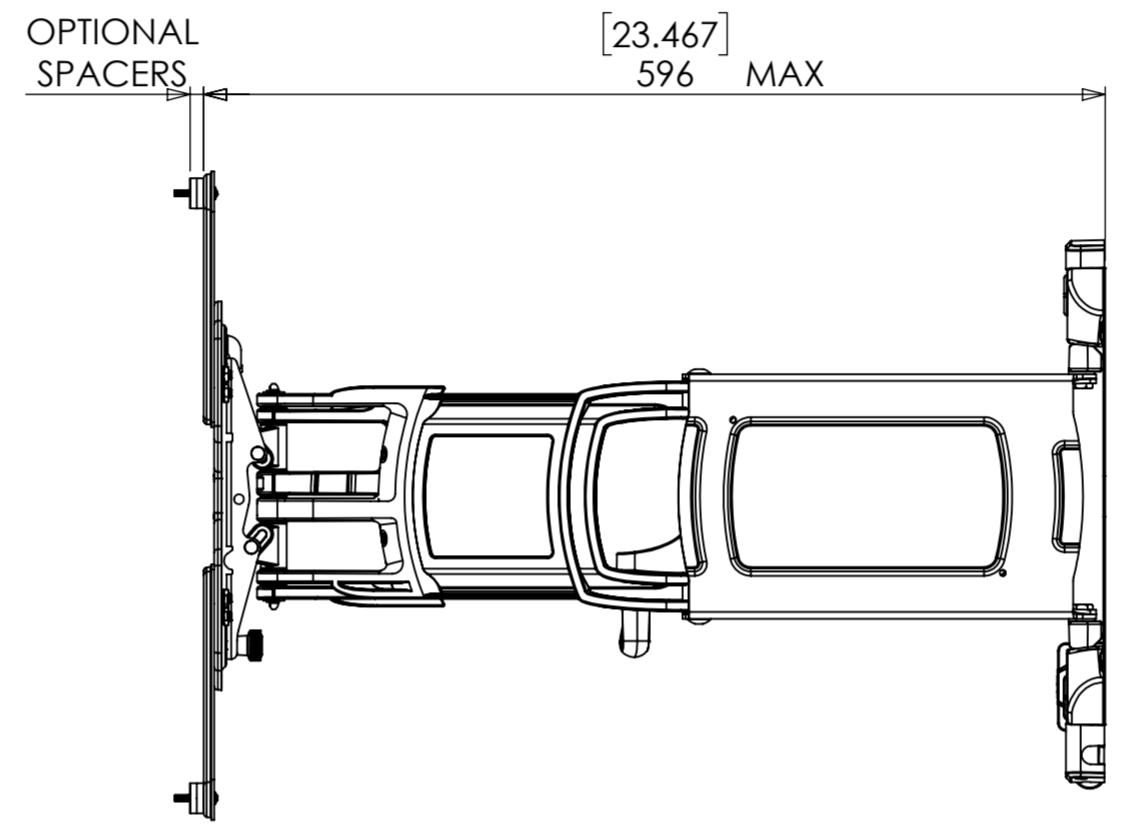
G

H



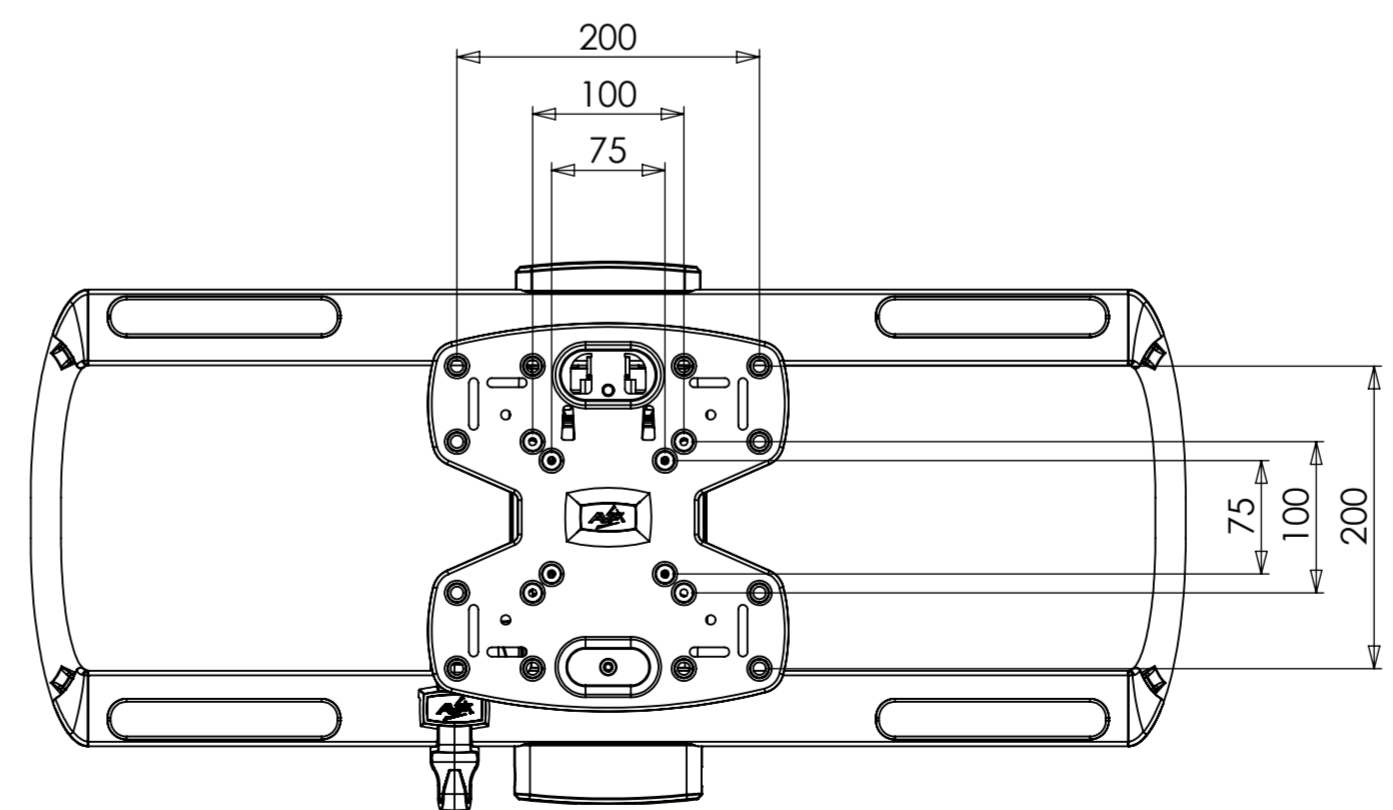
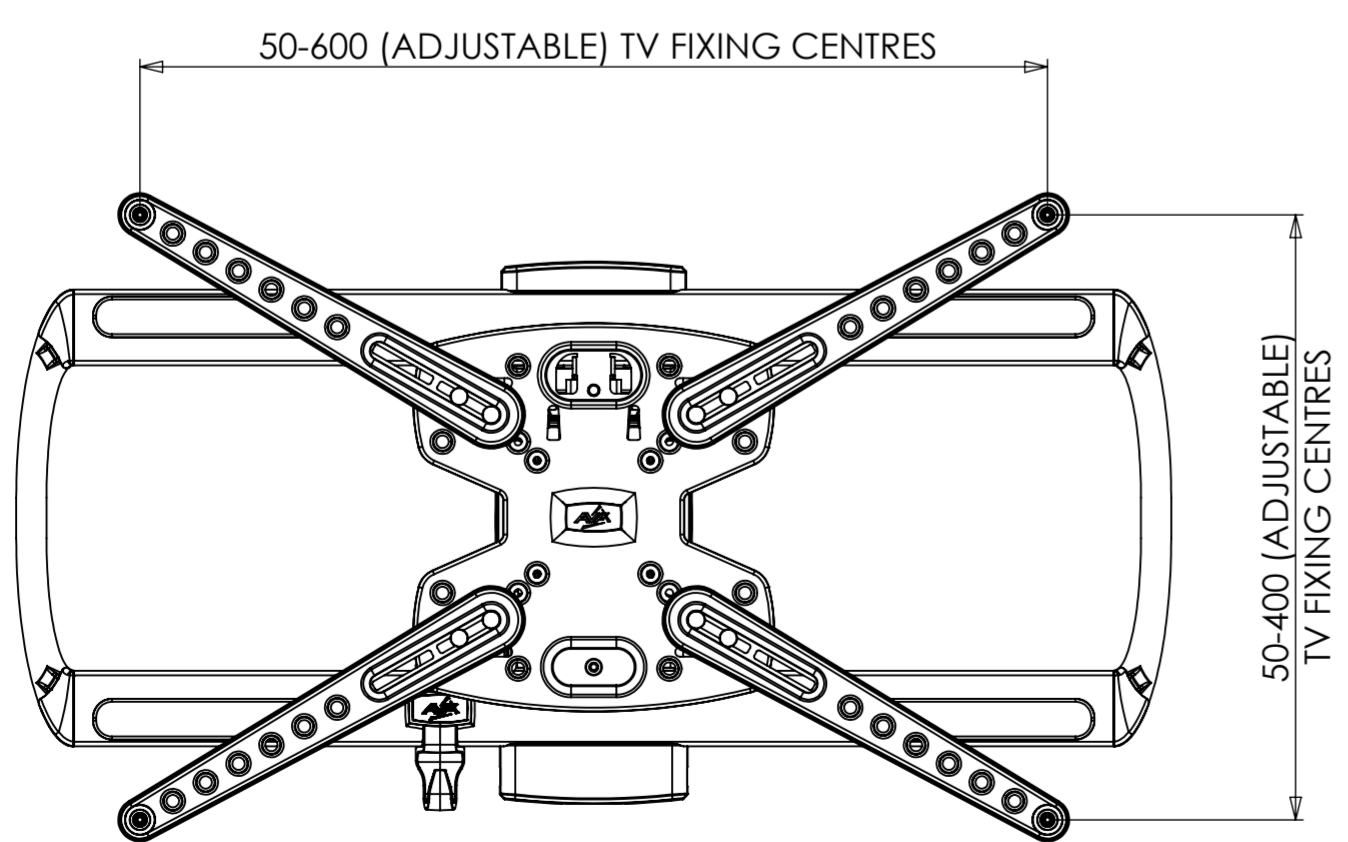
[2.534]
64.4
MIN

OPTIONAL
SPACERS



13° MAX
DOWNWARD TILT

5° MAX
UPWARD TILT



VESA CONFIGURATIONS

WEIGHT 10468.40g
(WITHOUT PACKAGING OR SPARE PARTS)