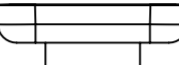


ROTATE



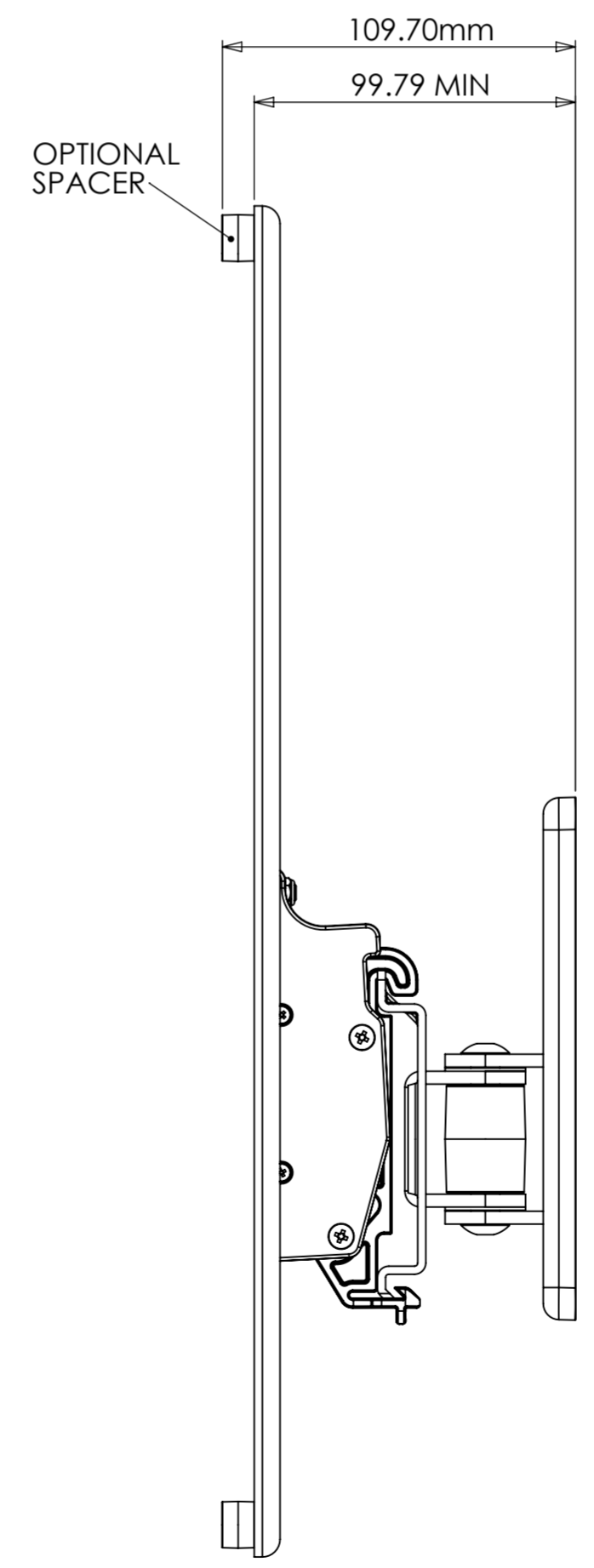
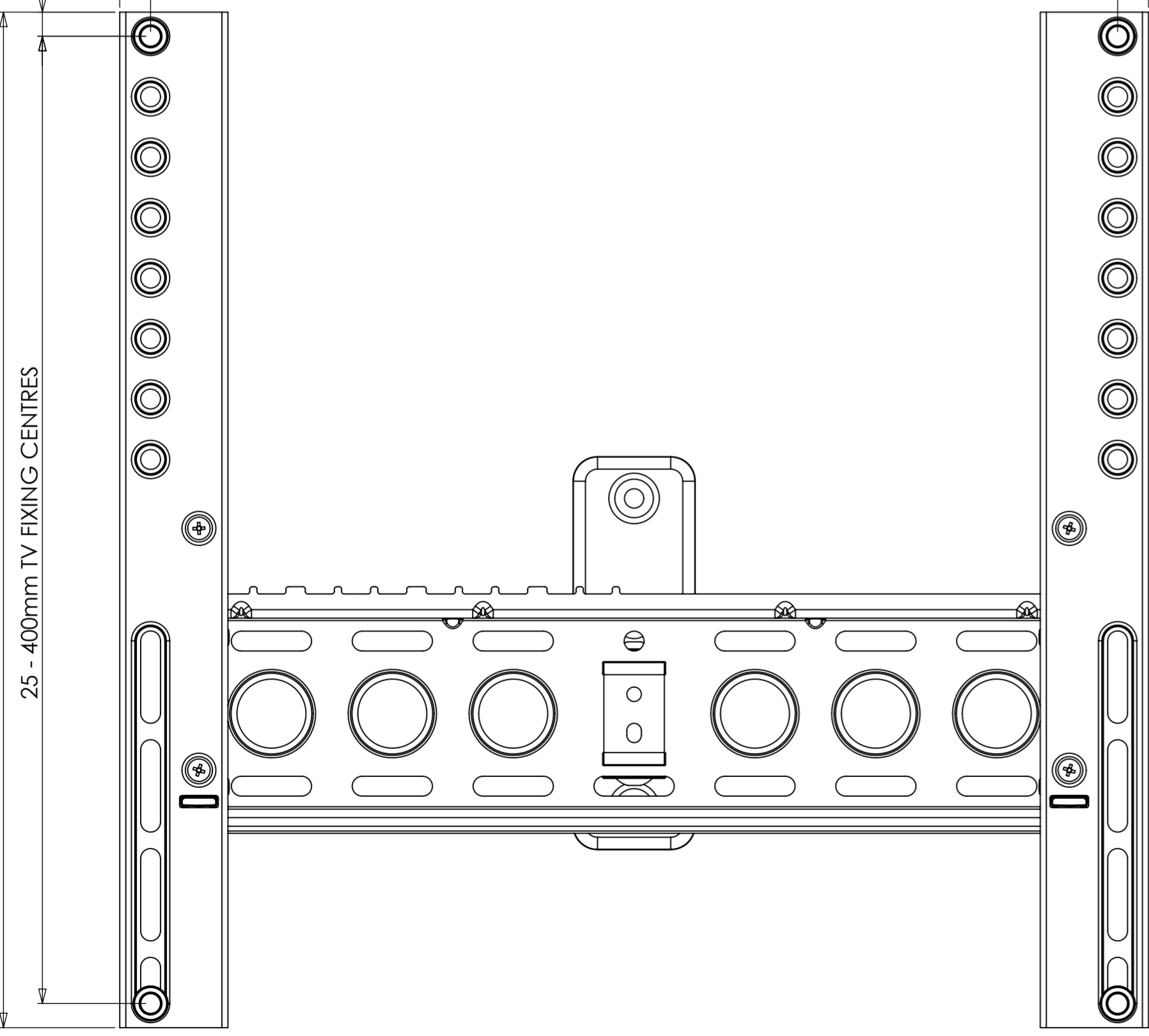
425.50mm

30 - 400mm TV FIXING CENTRES

10mm

420mm

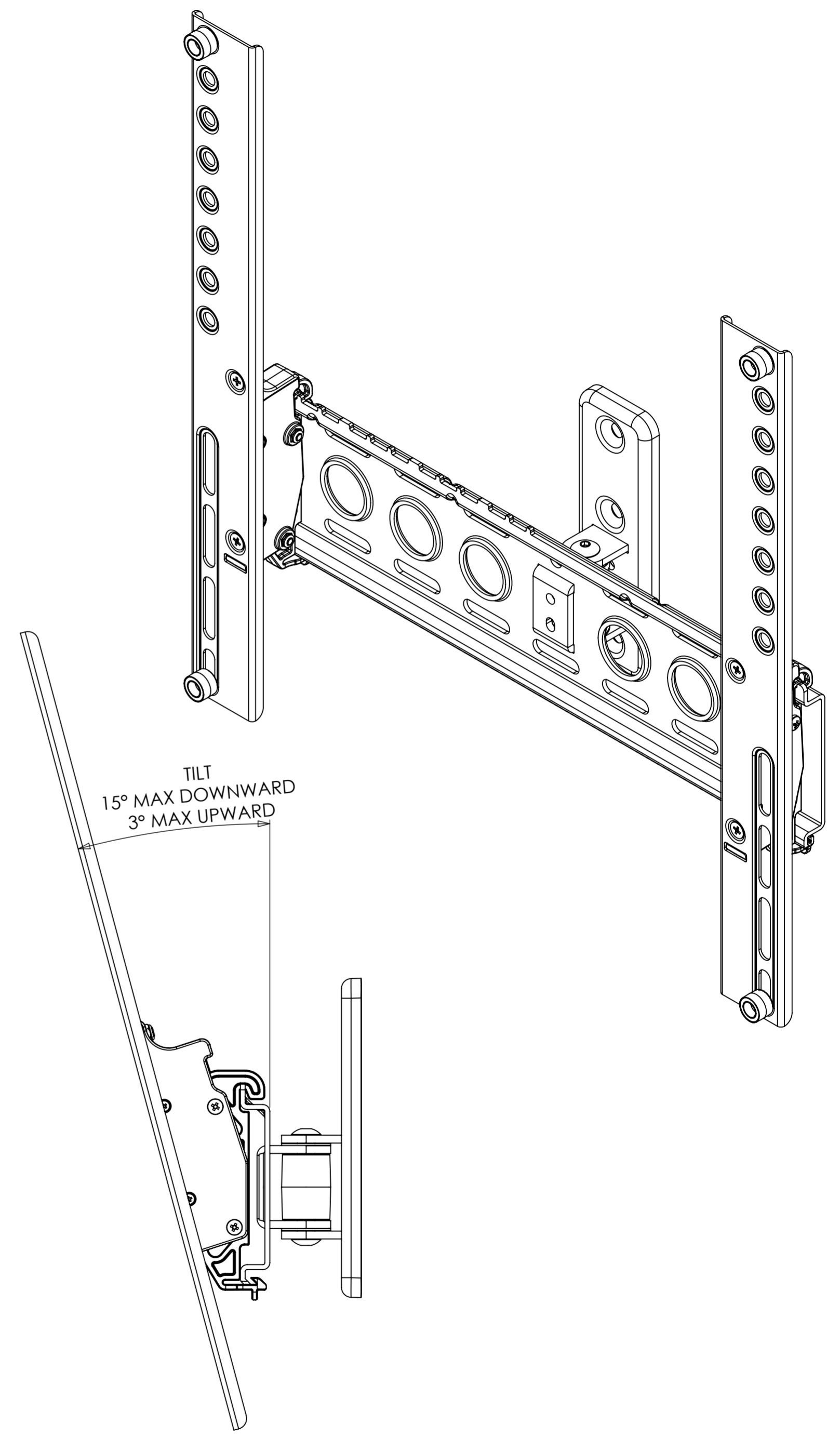
25 - 400mm TV FIXING CENTRES



109.70mm

99.79 MIN

OPTIONAL SPACER



TILT
15° MAX DOWNWARD
3° MAX UPWARD

WEIGHT 2002.52 g
(WITHOUT PACKAGING OR SPARE PARTS)