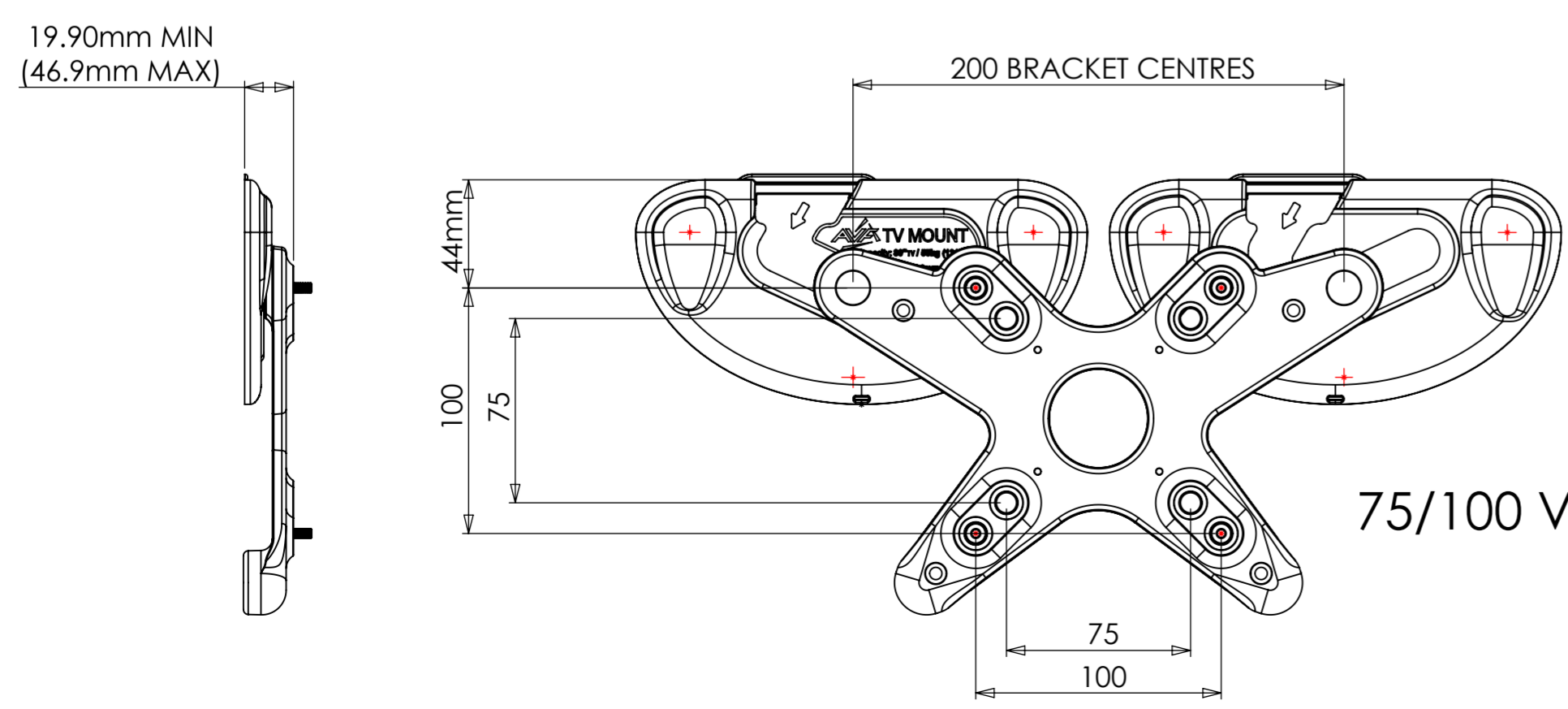


200 VESA AND ABOVE



75/100 VESA



PRODUCT WEIGHT 369.76 grams
(AS SHOWN WITHOUT PACKAGING AND FIXINGS)