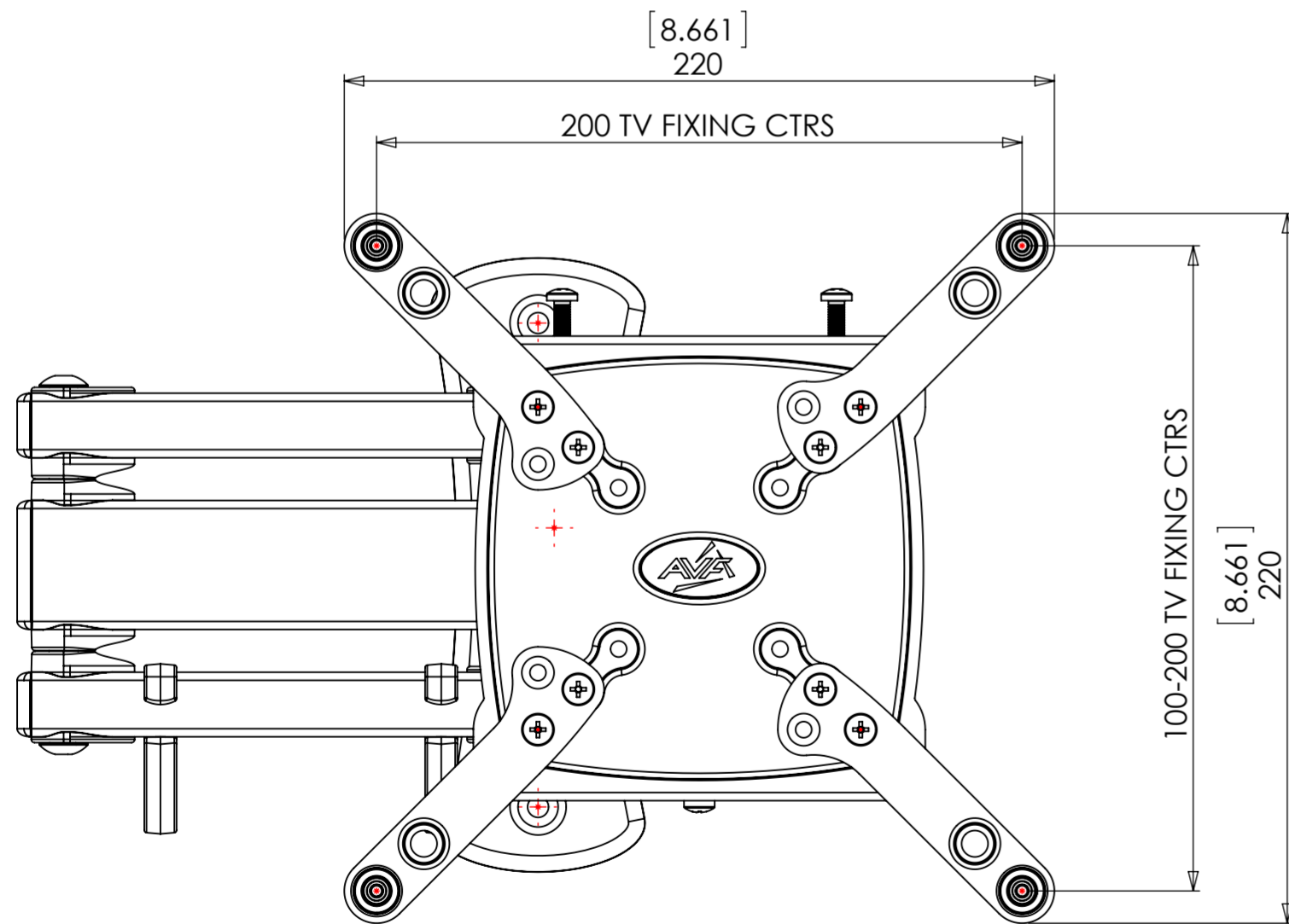
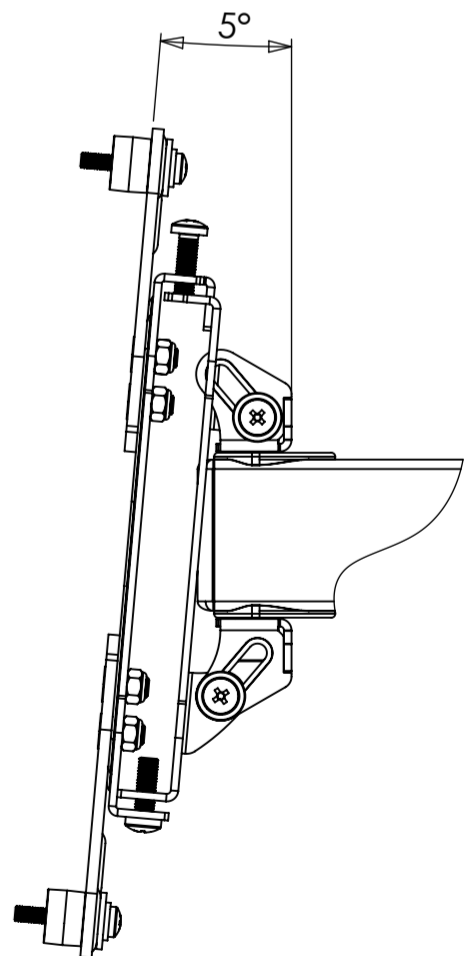
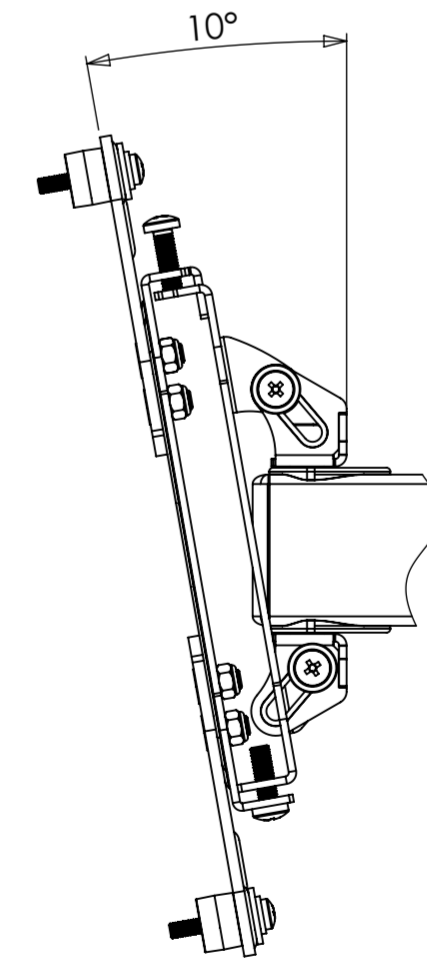
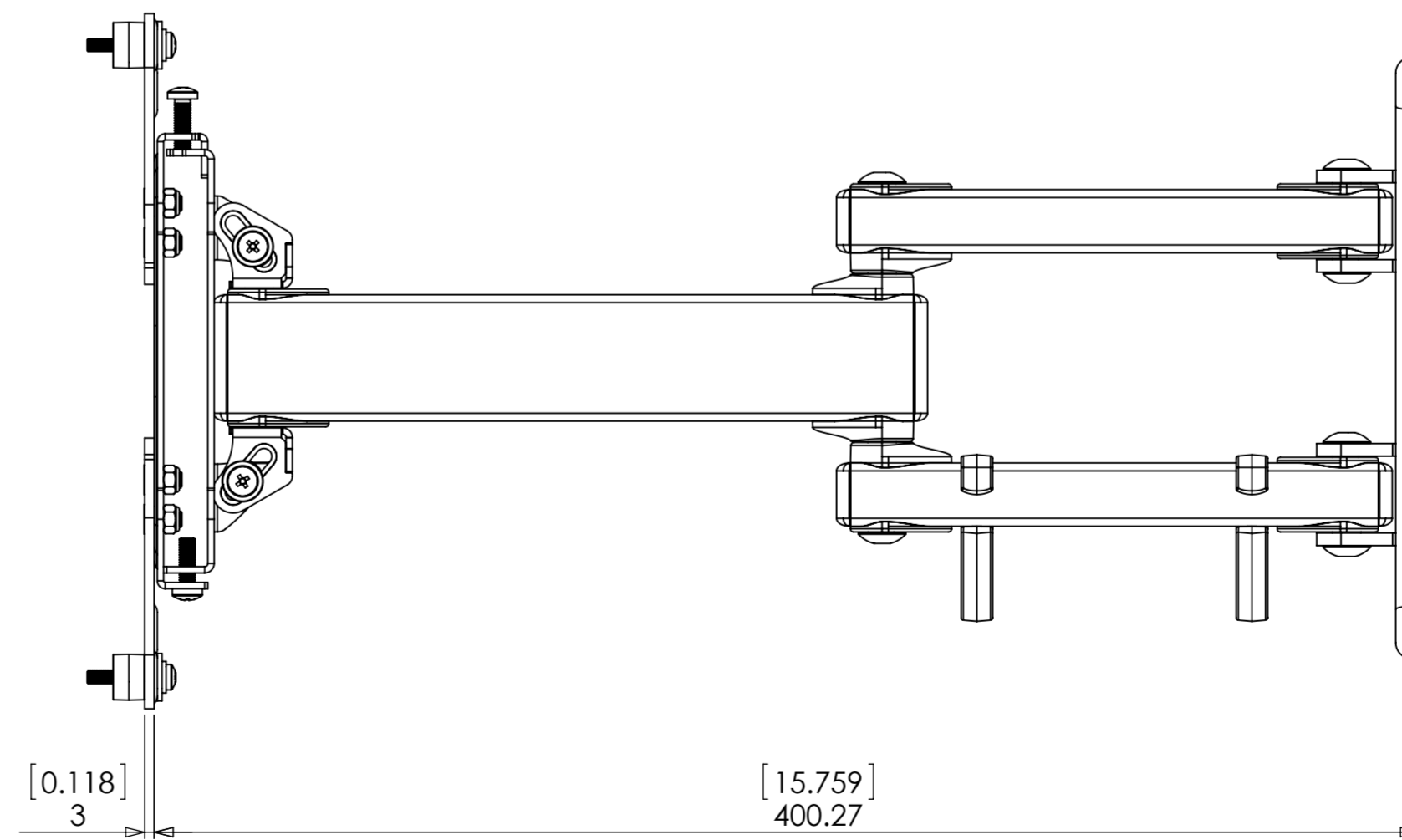


50/75/100 VESA



200 VESA



**WEIGHT 2504.00 g**  
 (AS SHOWN WITHOUT PACKAGING OR FIXINGS)