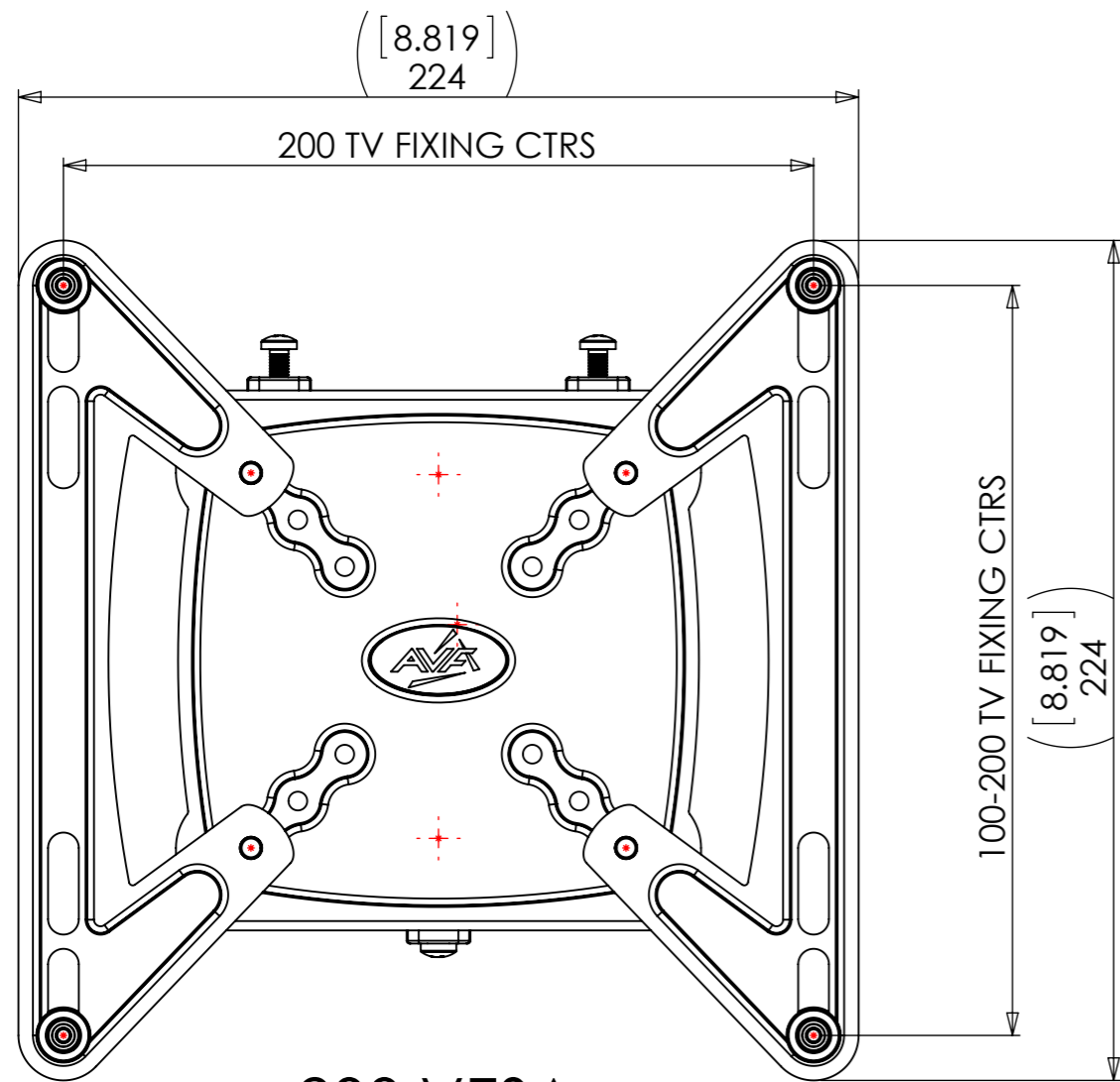
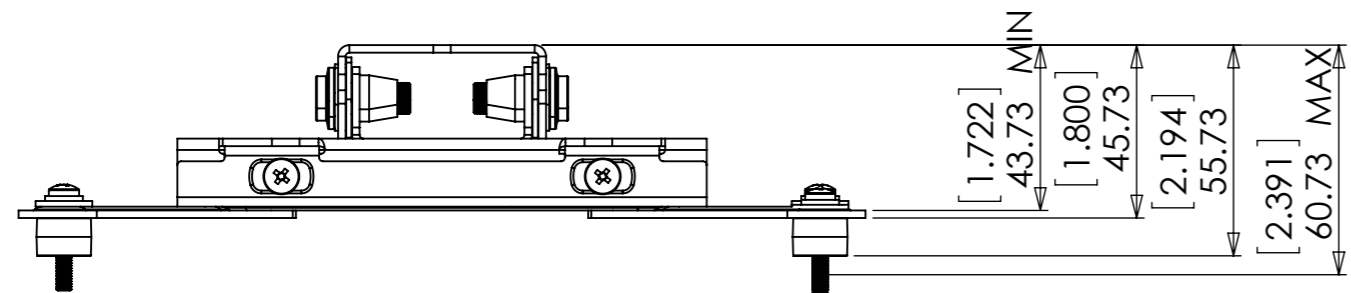
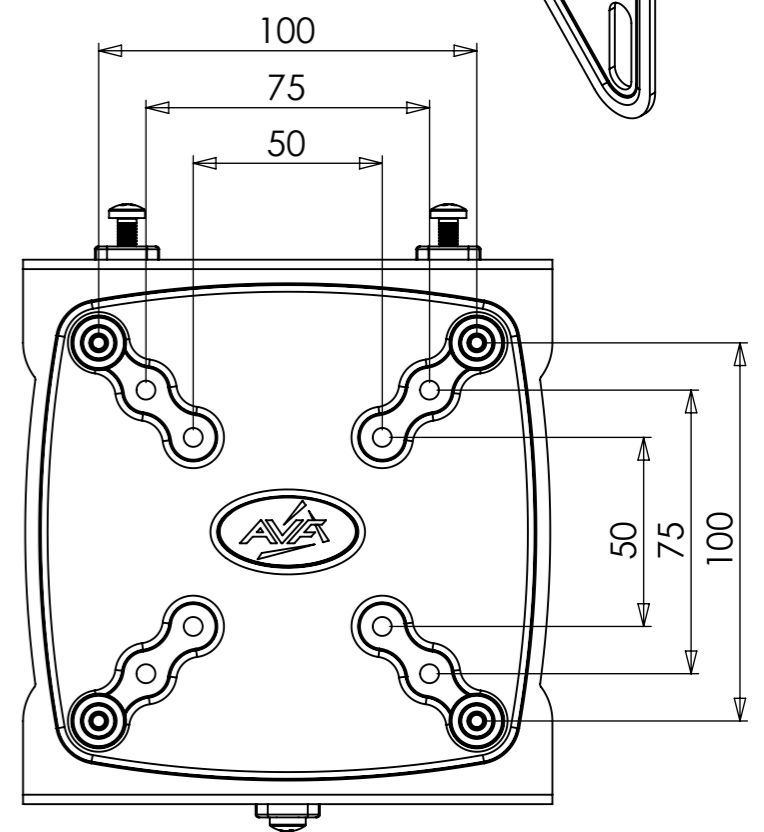
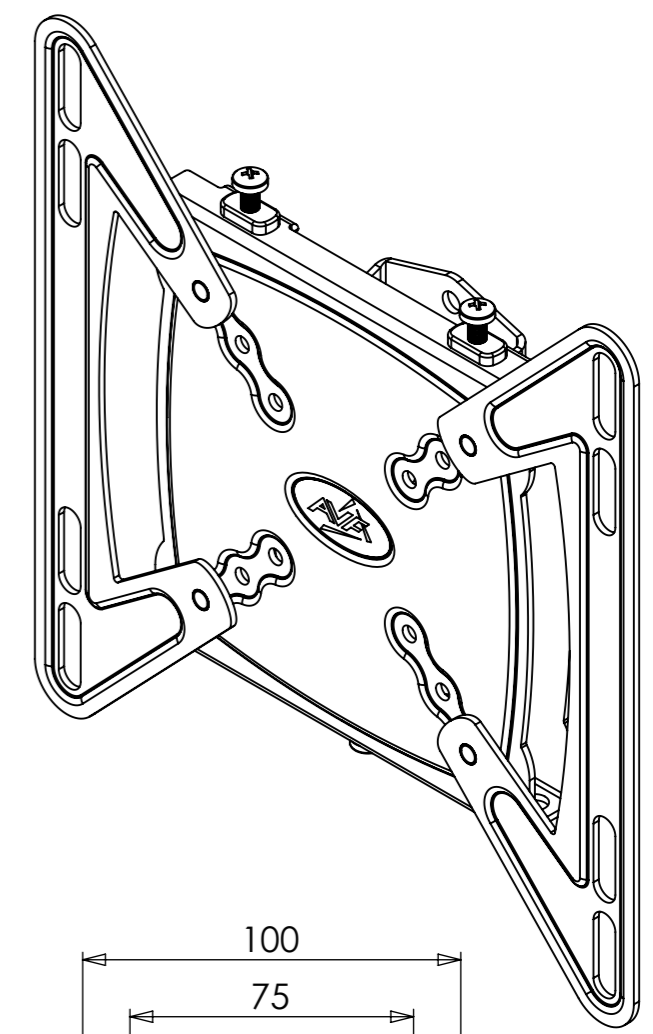
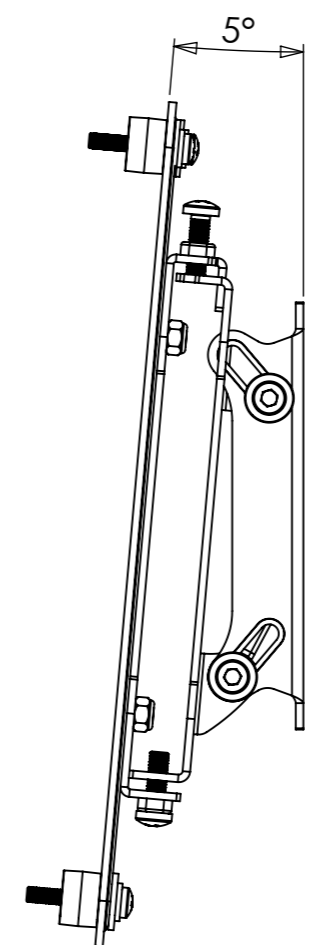
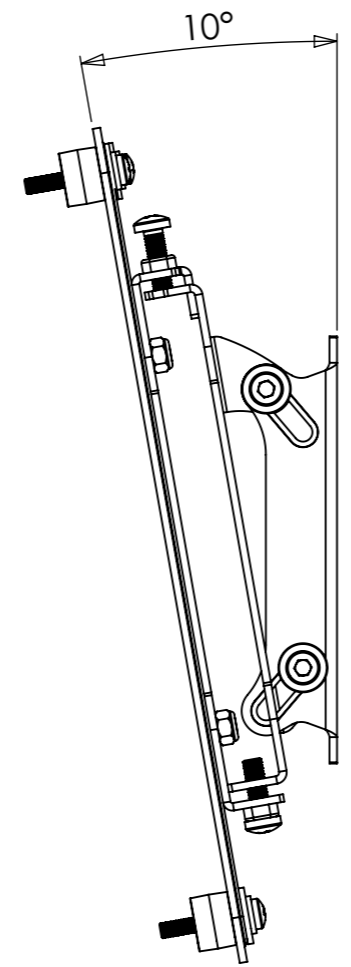


1 2 3 4 5 6 7 8

A
B
C
D
E
F



200 VESA



50/75/100 VESA

WEIGHT 1112.21 g
(AS SHOWN WITHOUT PACKAGING OR FIXINGS)