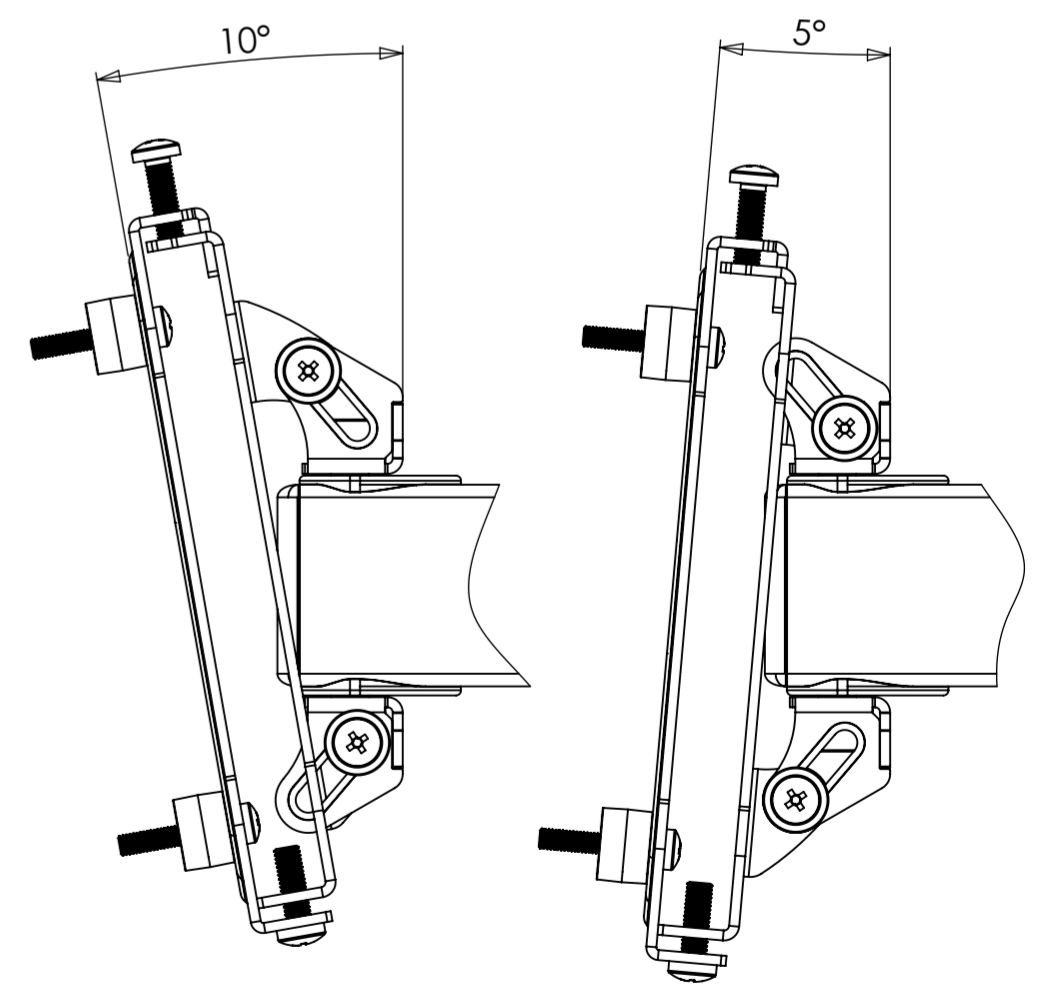
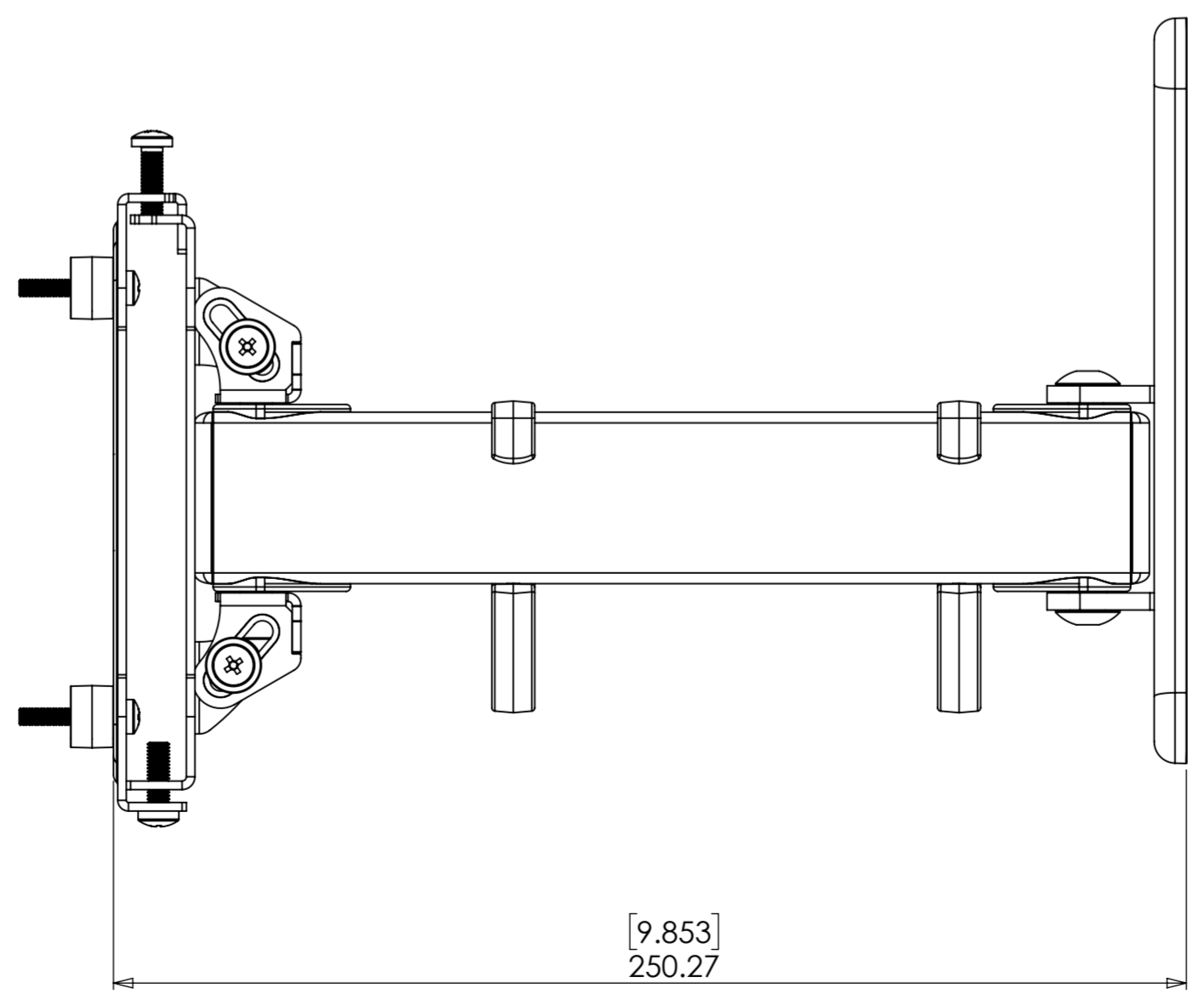


50/75/100 VESA



**WEIGHT 1591.95 g**  
(AS SHOWN WITHOUT PACKAGING OR FIXINGS)