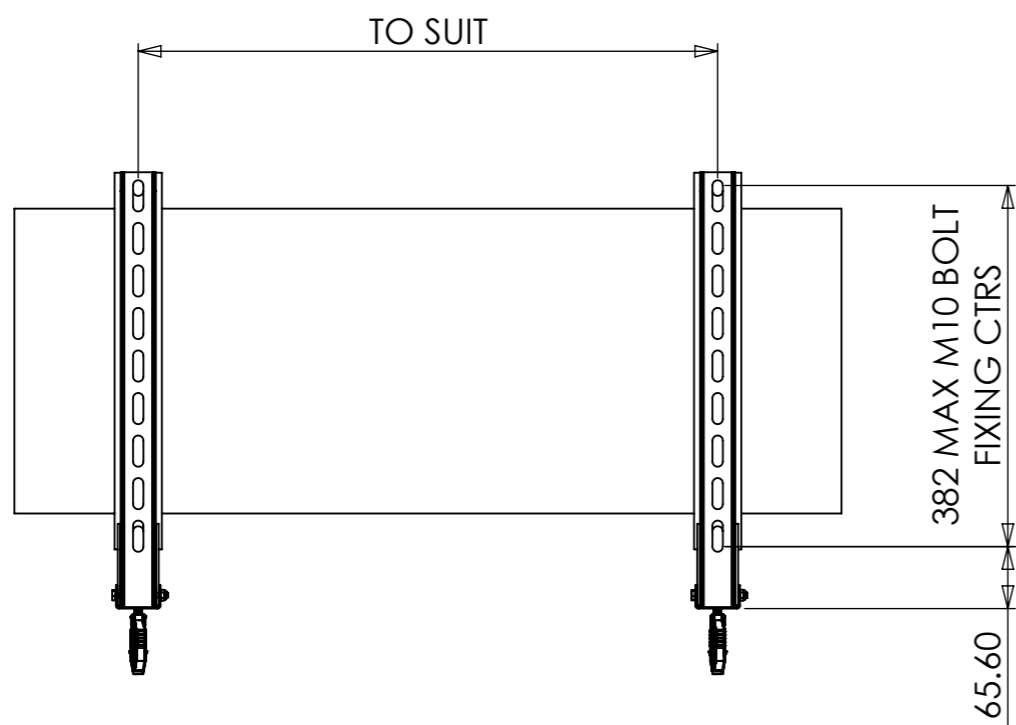
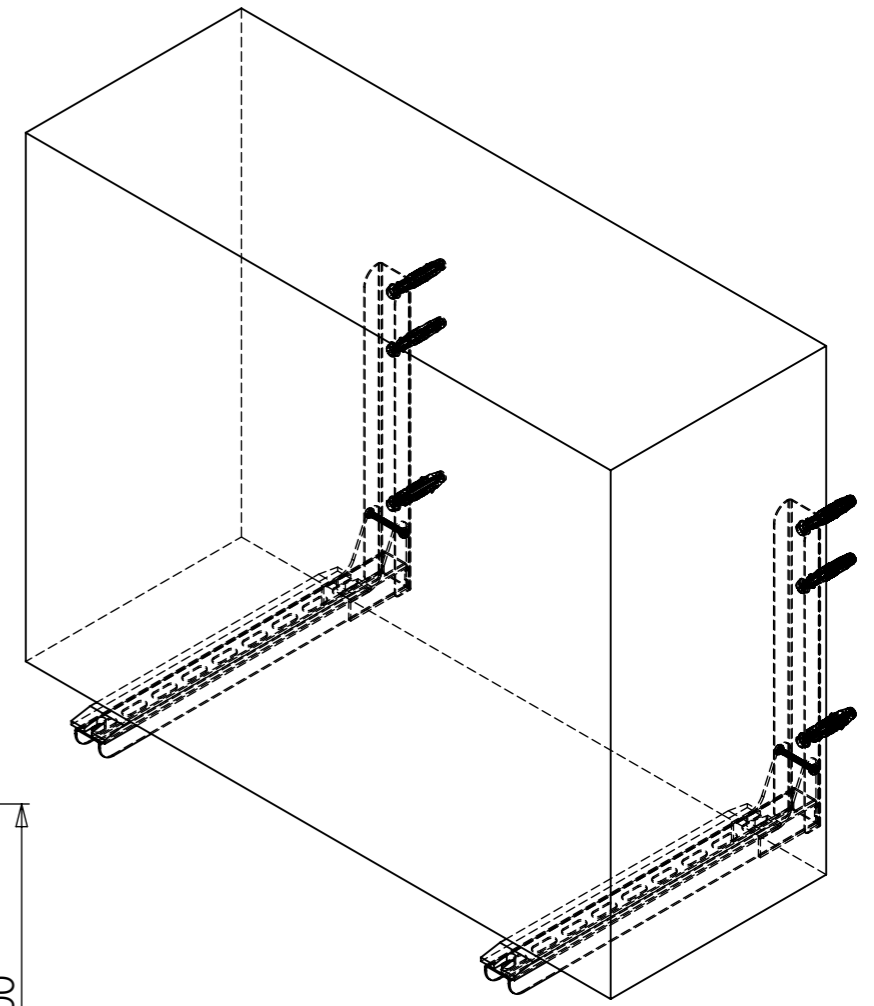
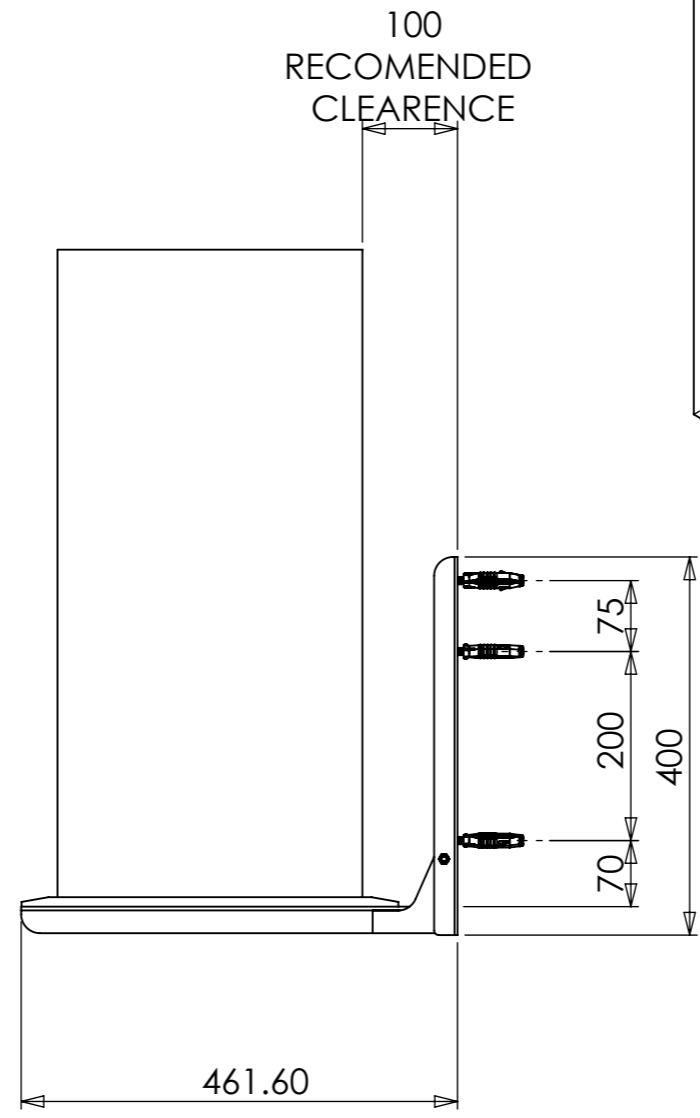
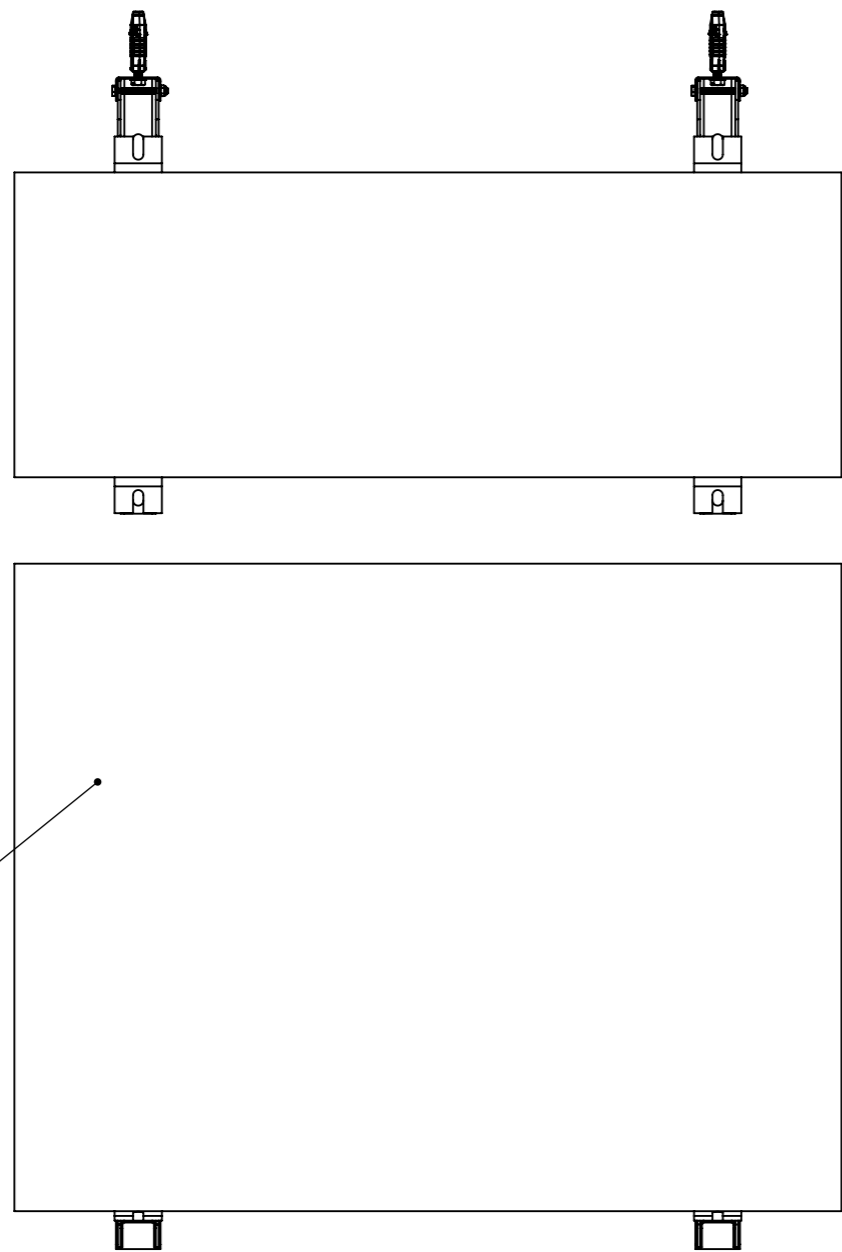


1 2 3 4 5 6 7 8

A  
B  
C  
D  
E  
F

TYPICAL AC UNIT



PRODUCT WEIGHT :- 2859.87 grams  
(AS SHOWN WITHOUT PACKAGING OR AC UNIT)

MAX DESIGN LOAD :- 50 KG

FINISH :- HOT DIP GALVANIZED