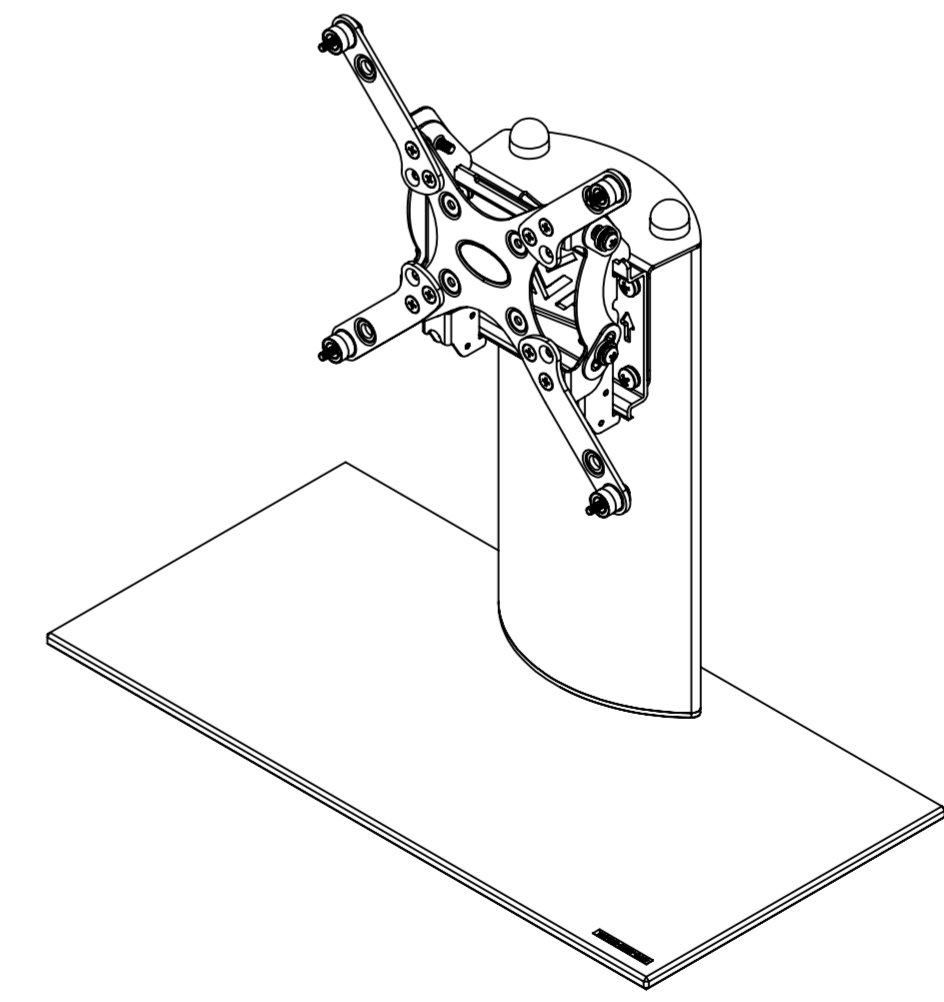
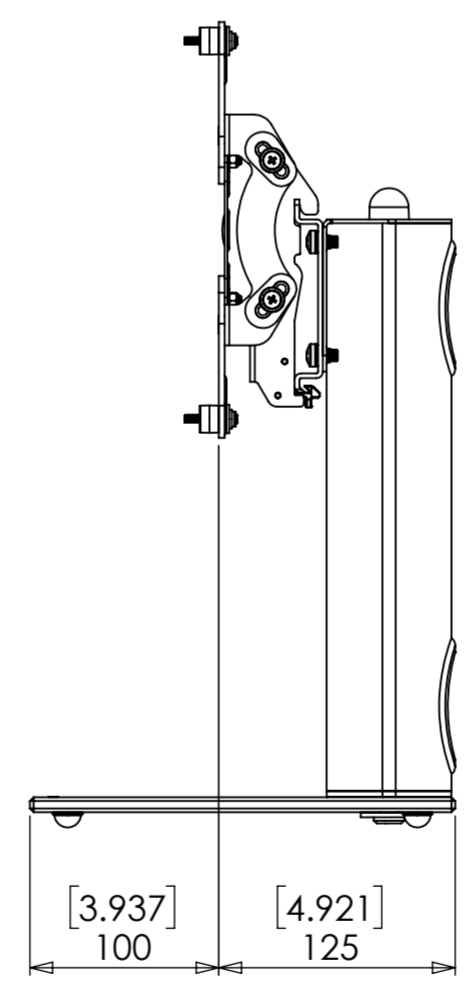
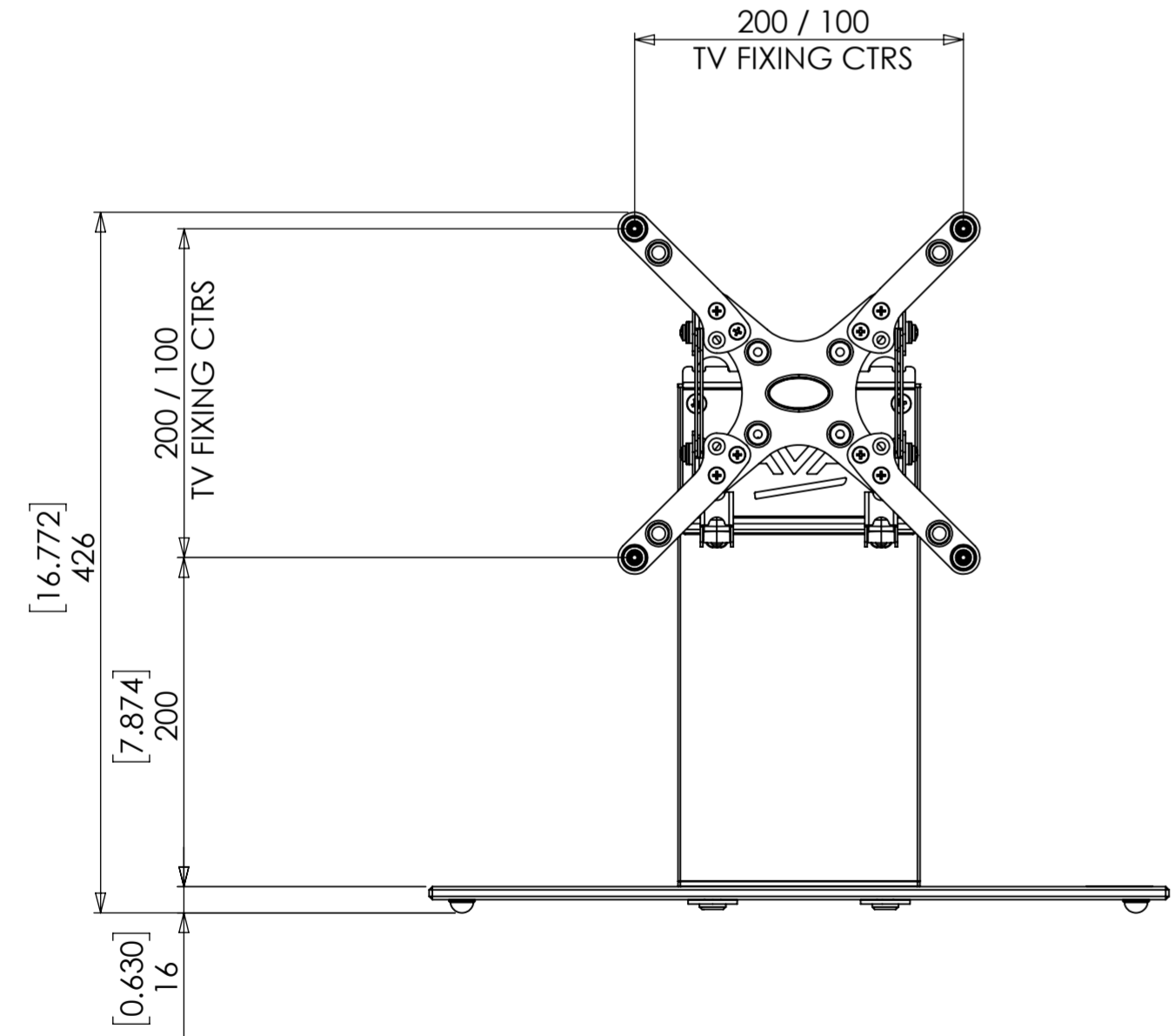
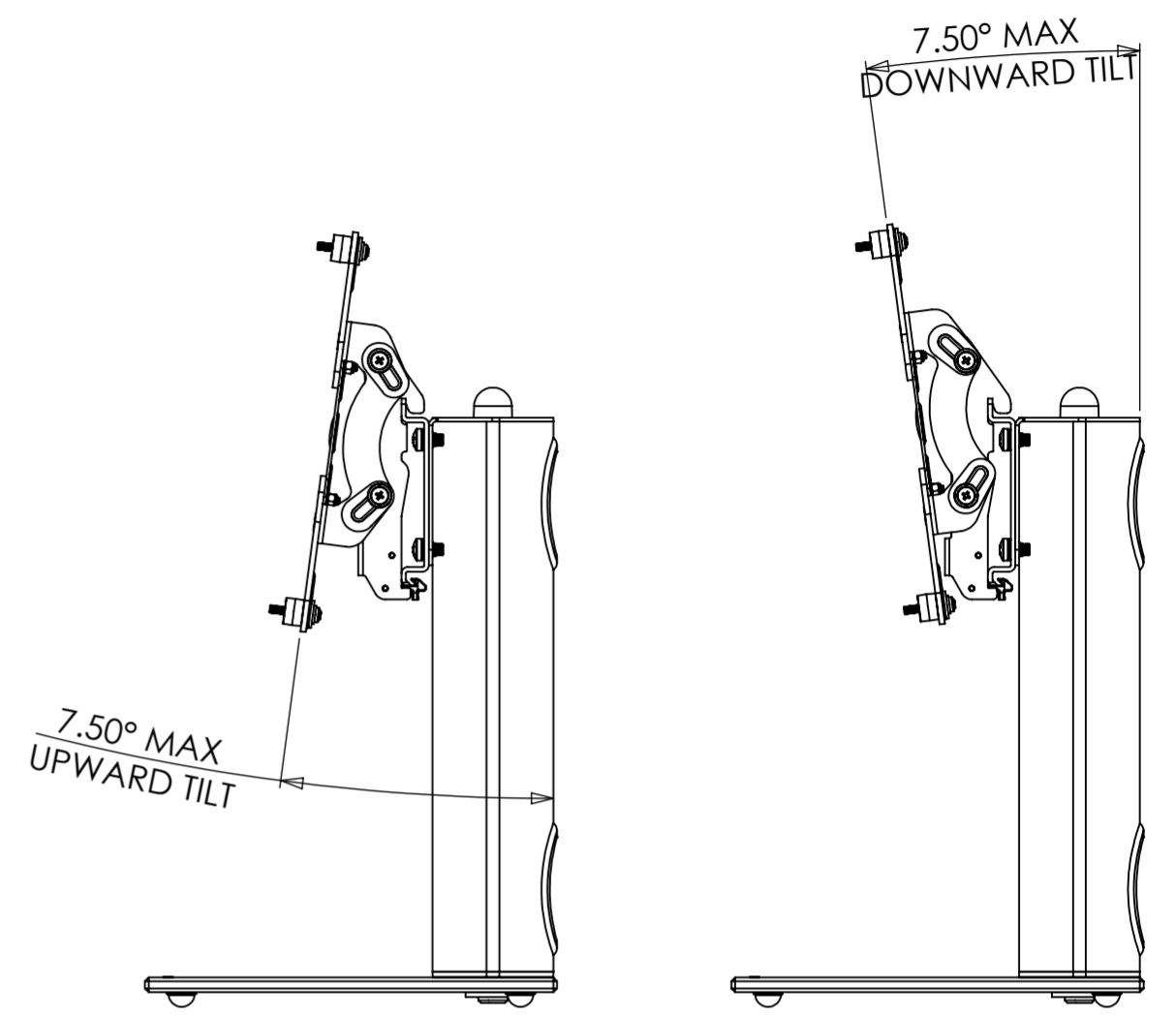


ALTERNATE VESA CONFIGURATION



PRODUCT WEIGHT 3827.01 grams
(AS SHOWN WITHOUT PACKAGING AND FIXINGS)