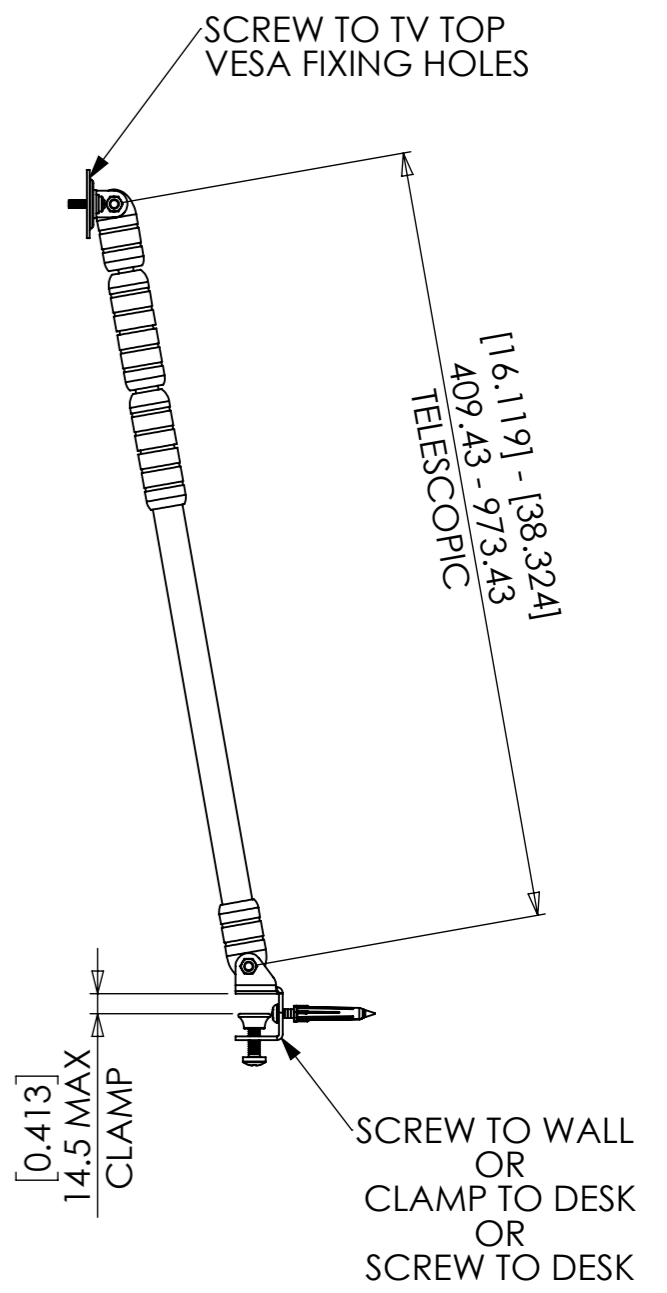
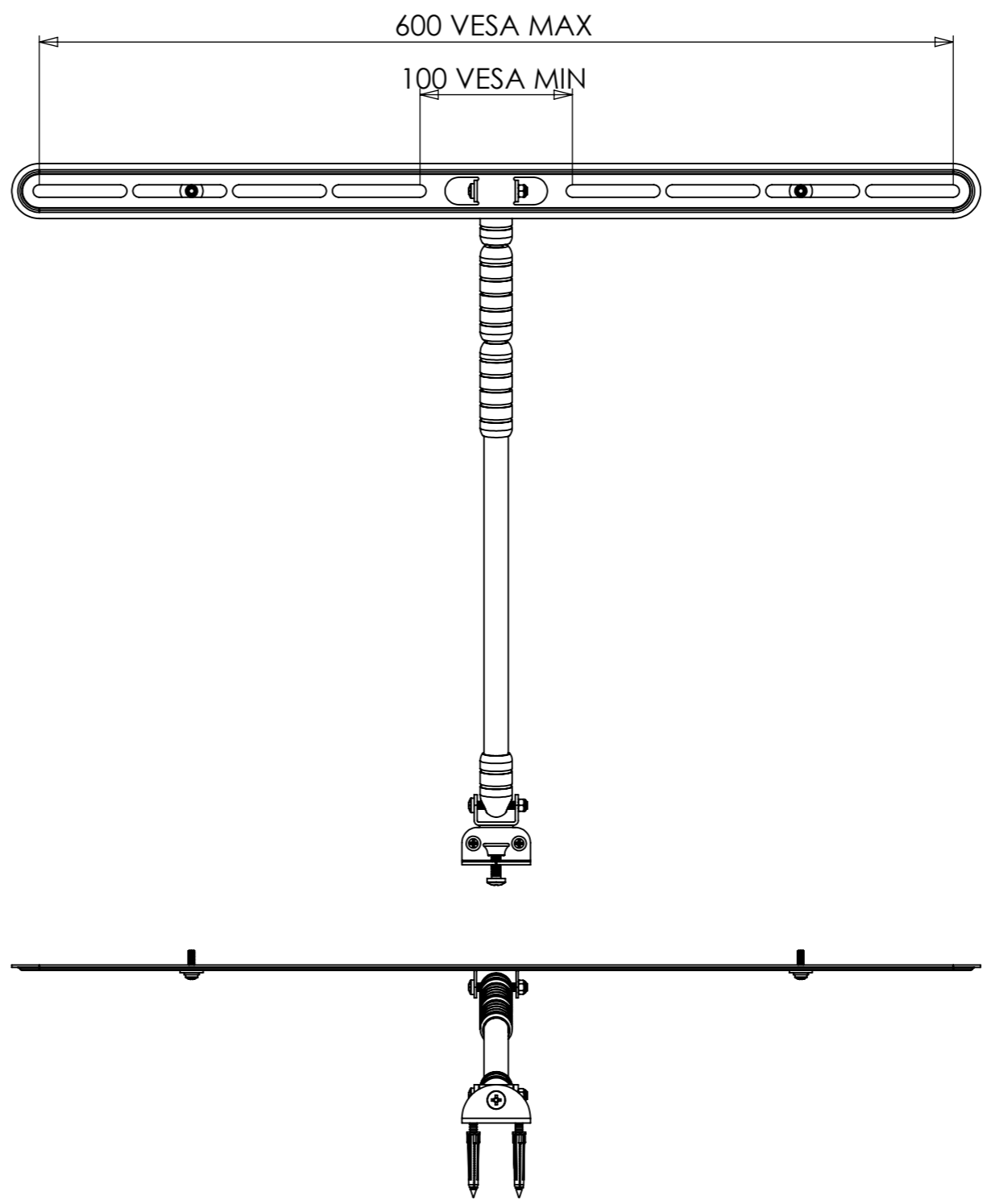
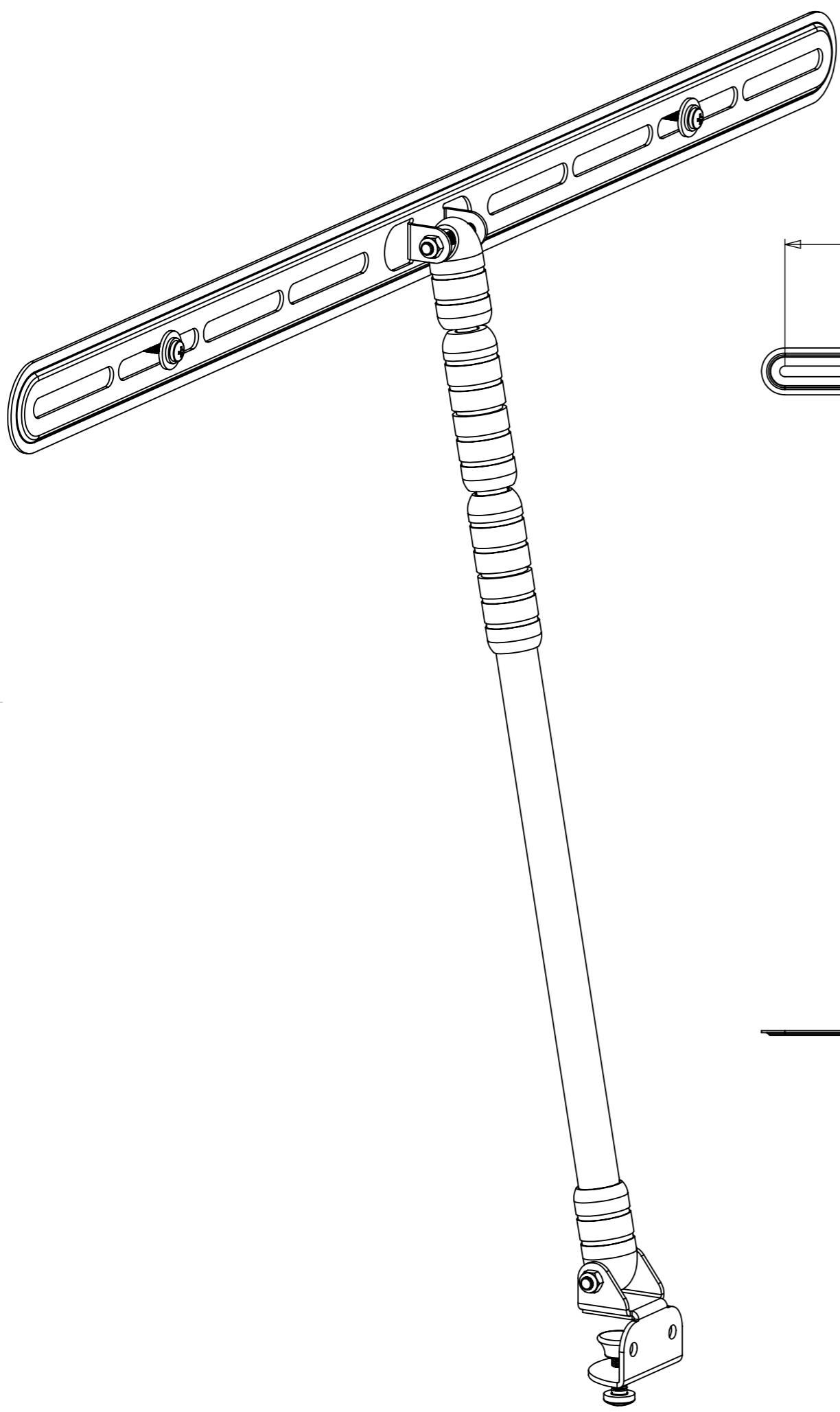


1 2 3 4 5 6 7 8

A  
B  
C  
D  
E  
F



WEIGHT :-540.58g  
AS SHOWN WITHOUT PACKAGING

The copyright of this drawing is the property of AVF Group Ltd