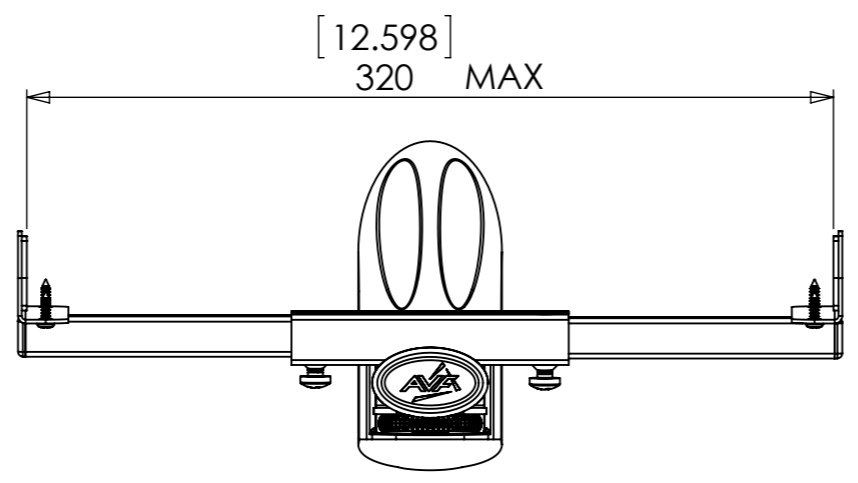
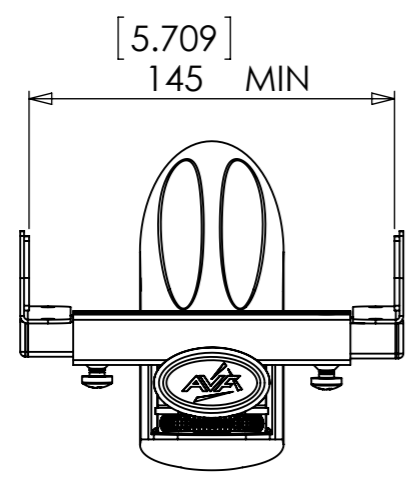
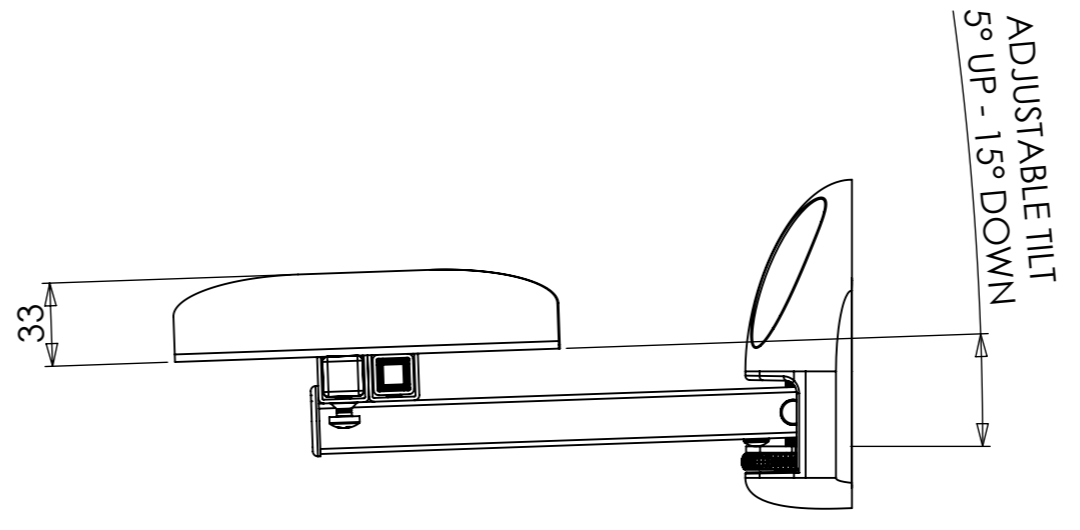
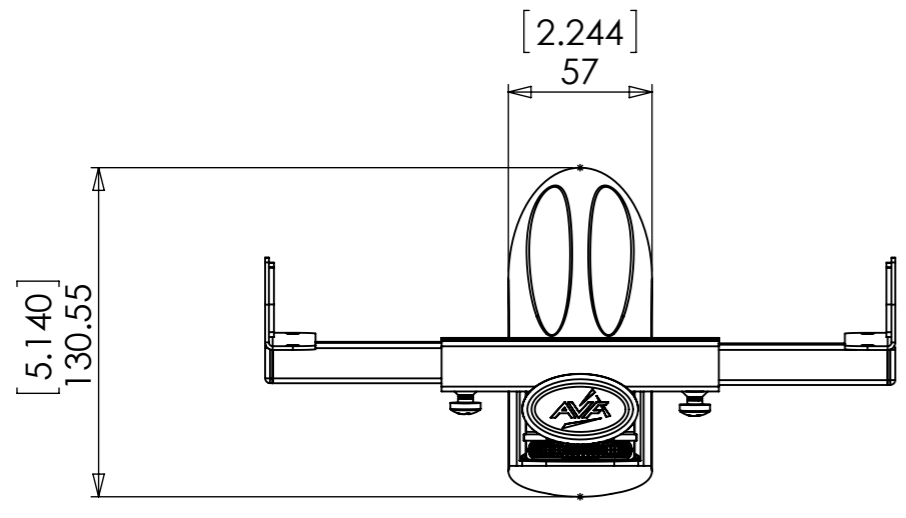
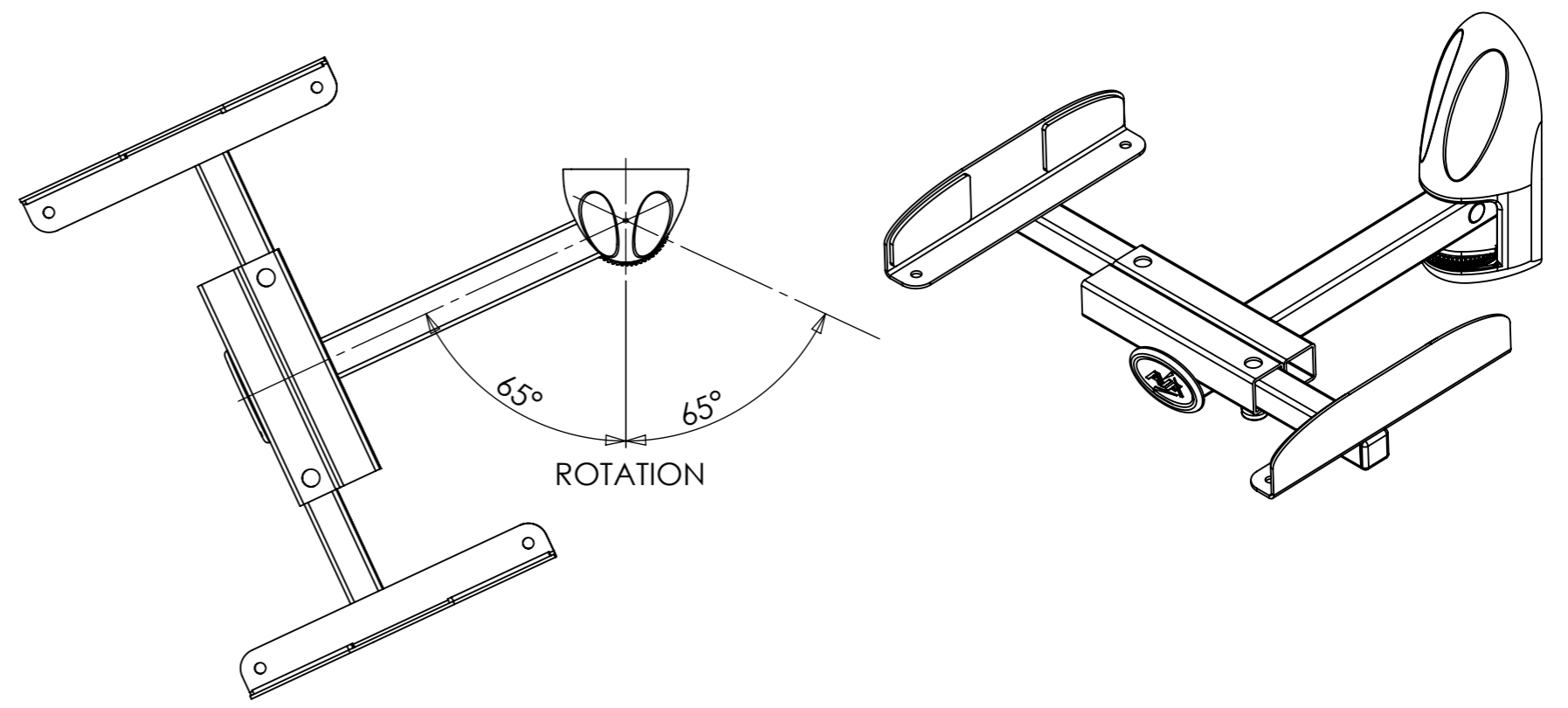
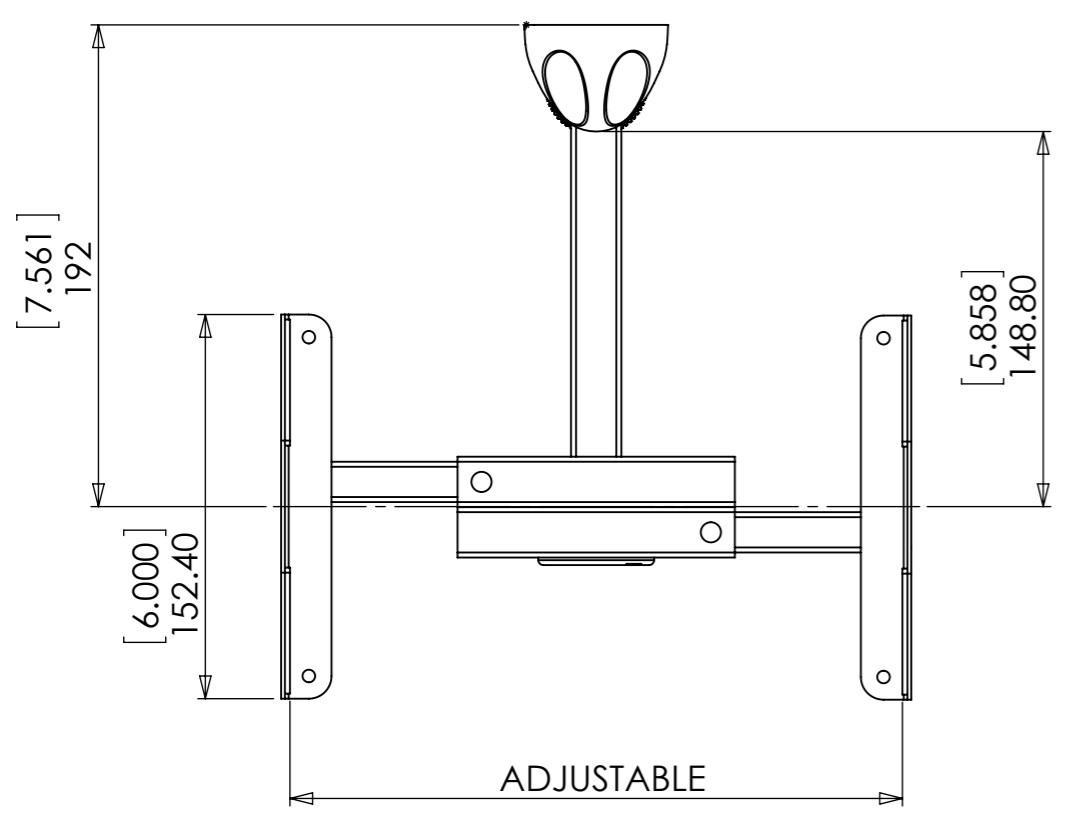


1 2 3 4 5 6 7 8

A
B
C
D
E
F



PRODUCT WEIGHT:- 904.09g EACH
(AS SHOWN WITHOUT FIXINGS)
2 OFF SUPPLIED PER SET