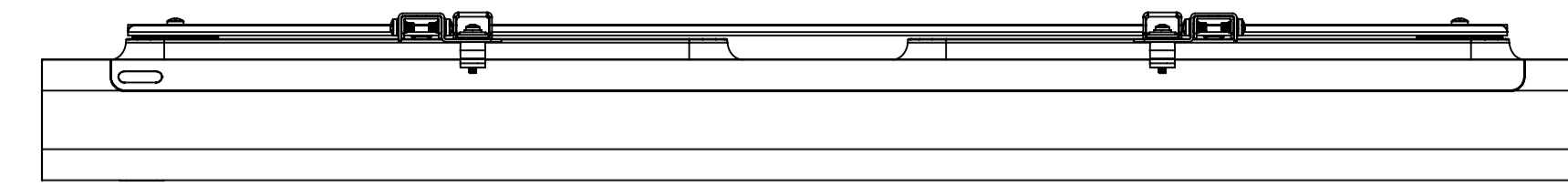
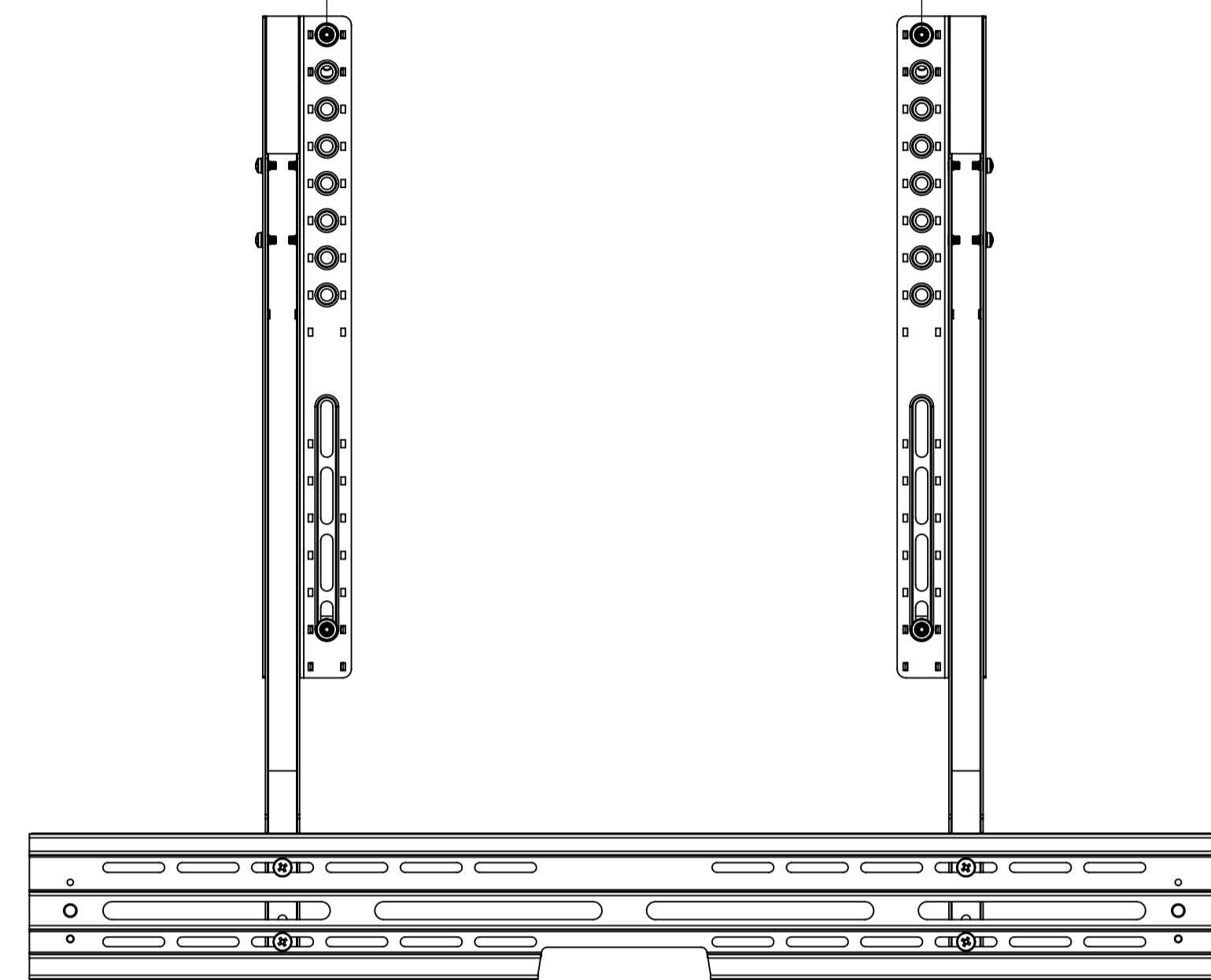


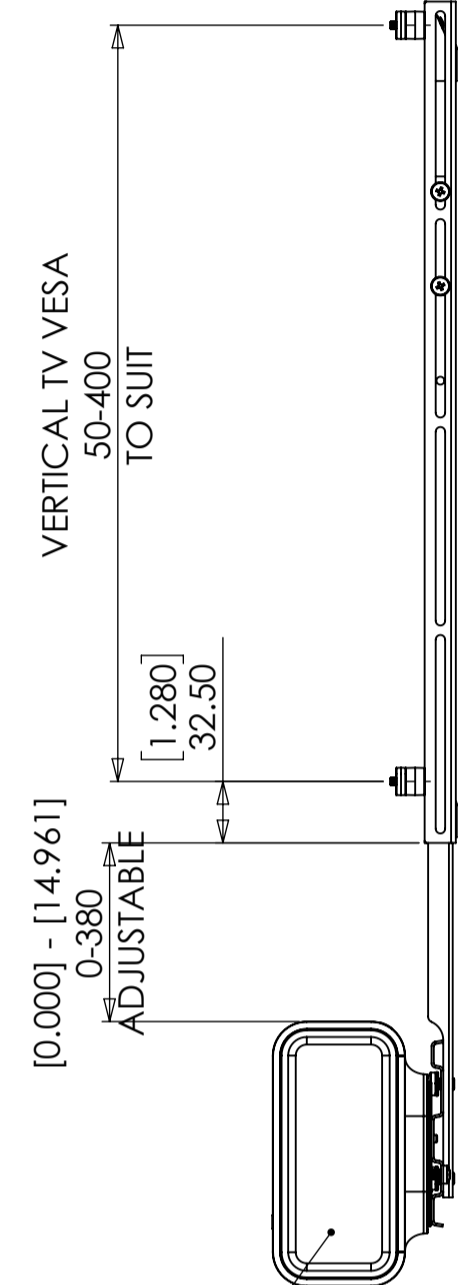
# SONOS PLAYBAR CONFIGURATION



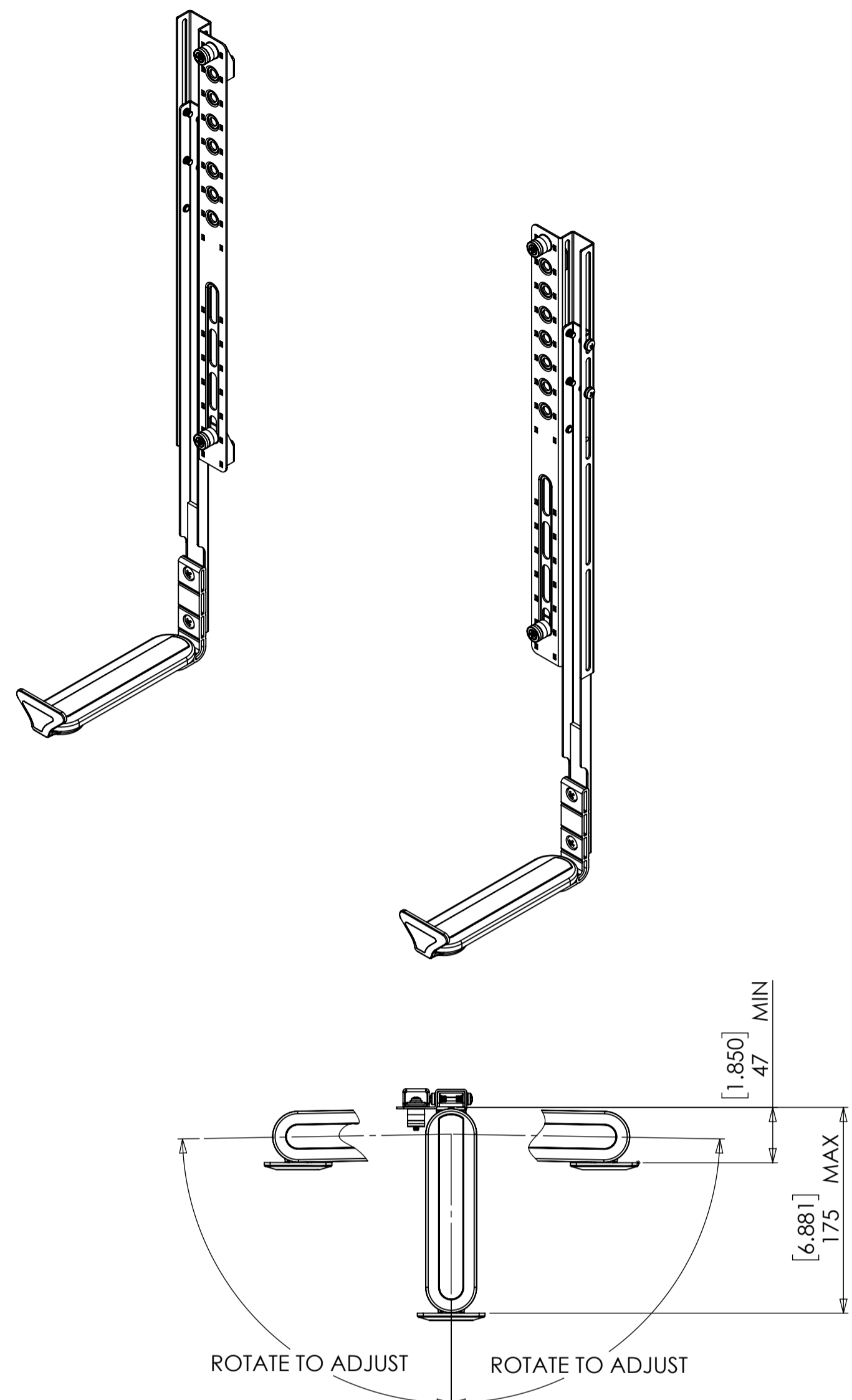
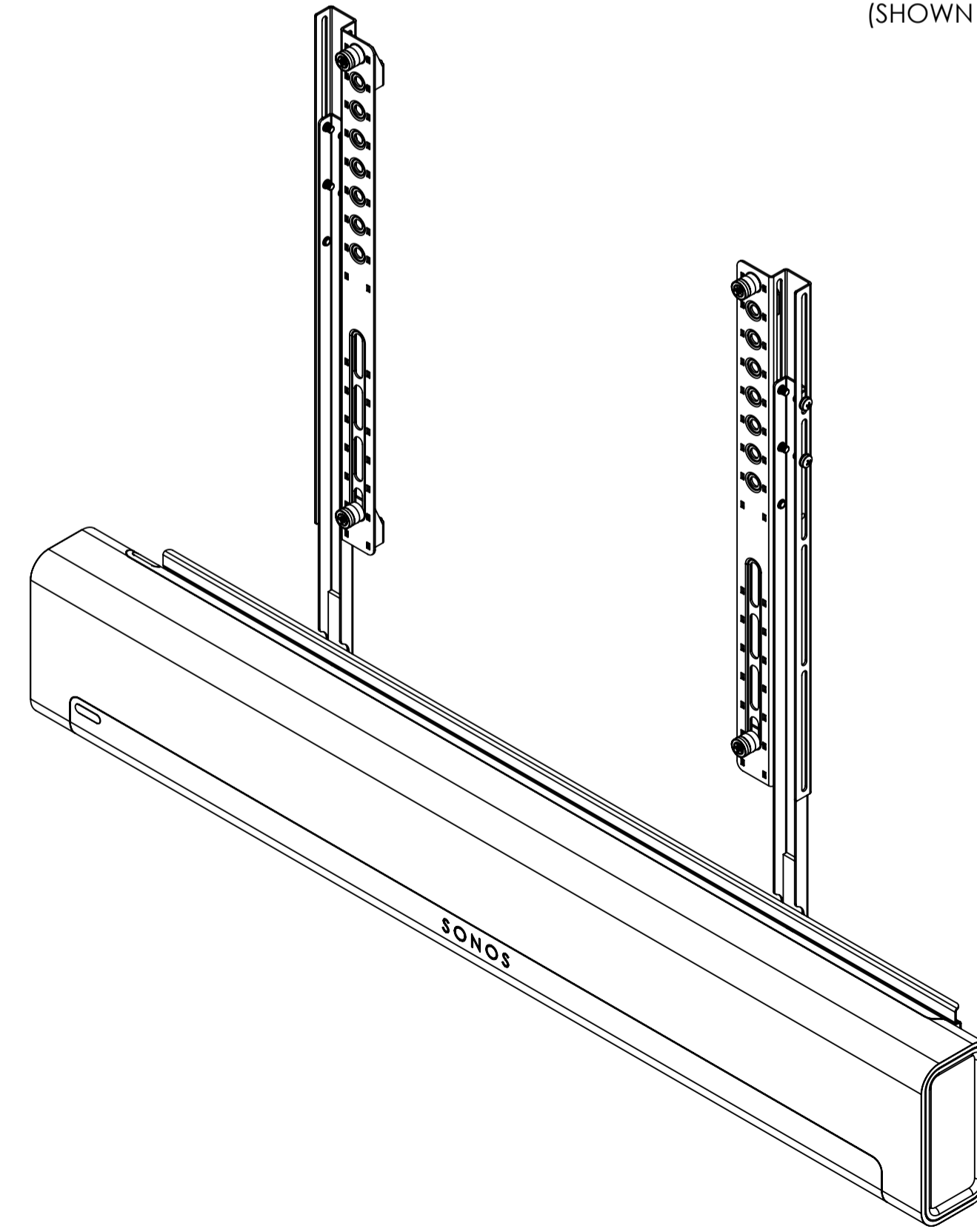
HORIZONTAL TV VESA  
65-635 (WITH SONOS ADAPTER)  
TO SUIT



SONOS PLAYBAR NOT SHOWN IN THIS VIEW

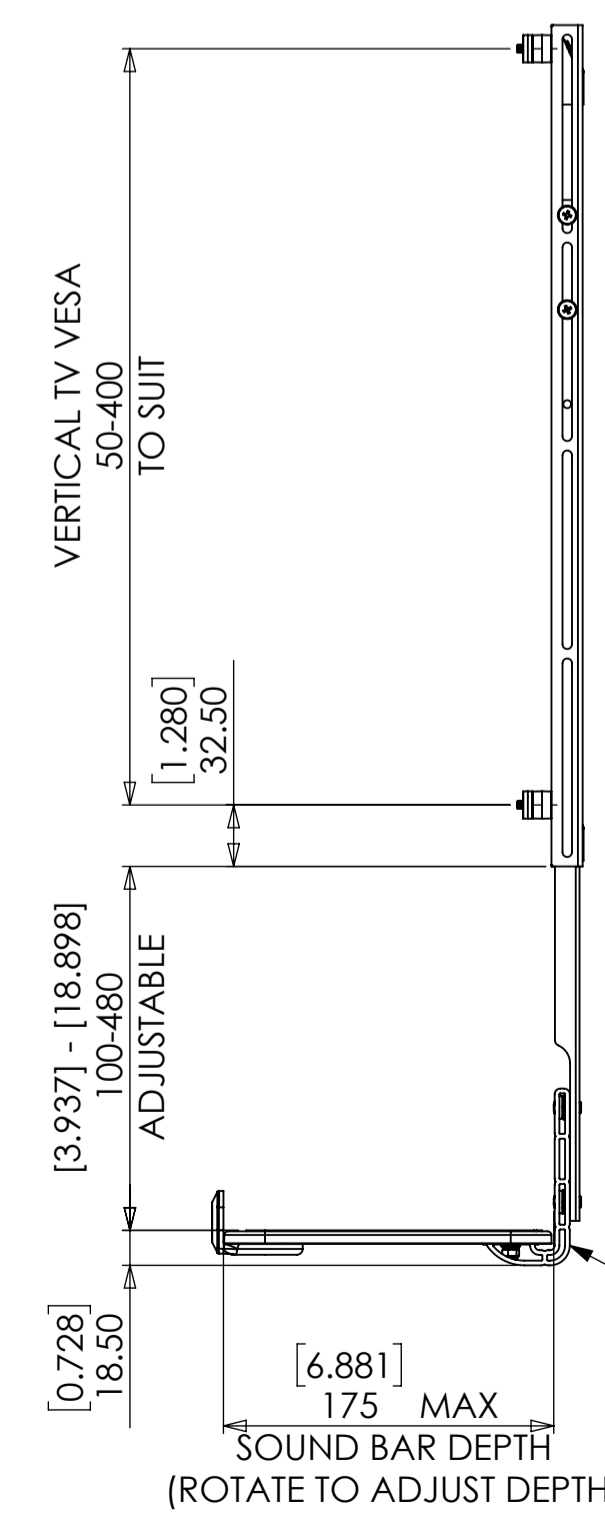
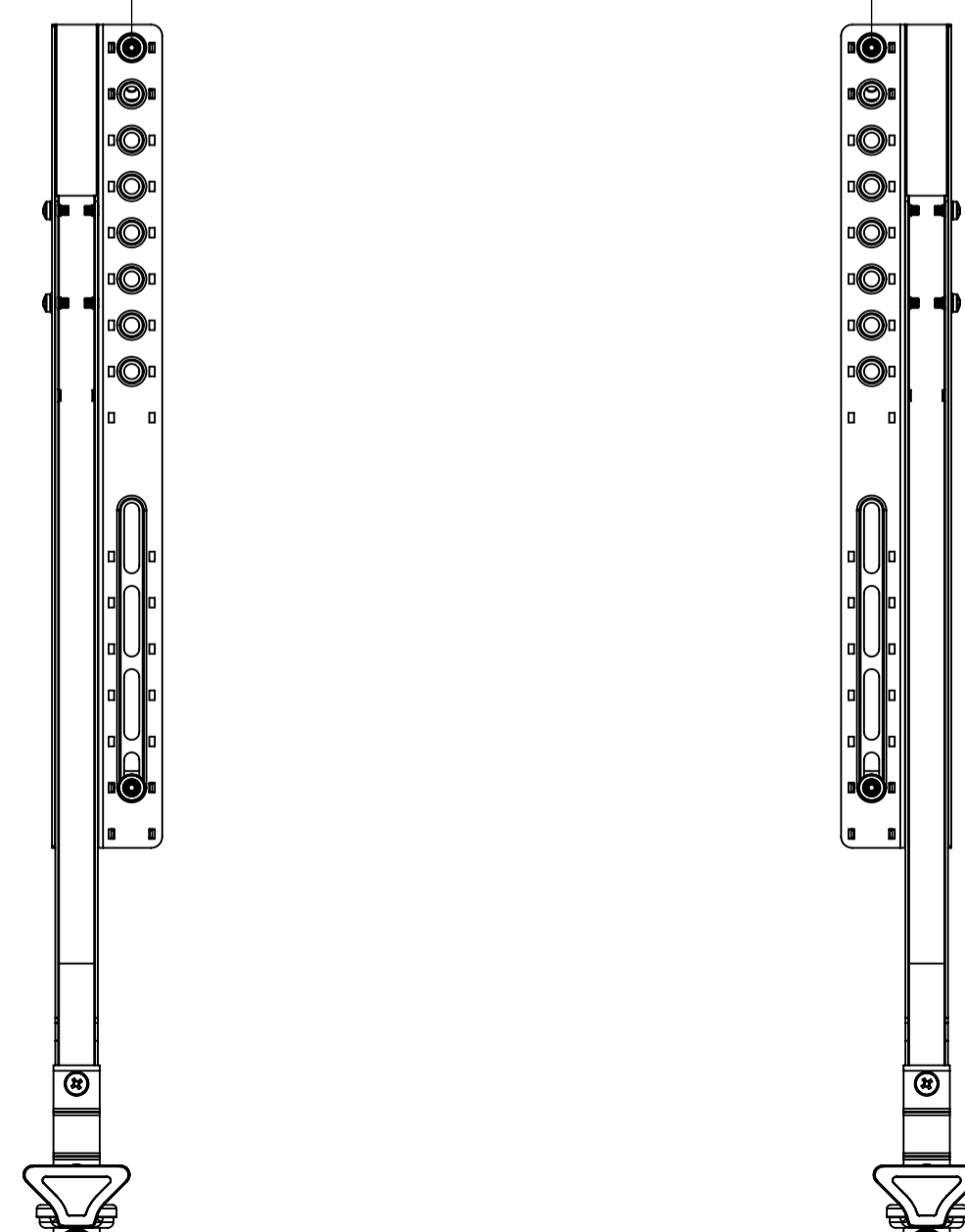


SONOS PLAYBAR CAN BE MOUNTED ABOVE OR BELOW TV (SHOWN IN BELOW CONFIGURATION)



[1.850] MIN  
[6.881] MAX  
ROTATE TO ADJUST

HORIZONTAL TV VESA  
50-800  
TO SUIT



VERTICAL TV VESA  
50-400  
TO SUIT

[3.937] - [18.898]  
ADJUSTABLE

[0.728] 18.50

[6.881] 175 MAX  
SOUND BAR DEPTH  
(ROTATE TO ADJUST DEPTH)

SHELF CAN BE MOUNTED ABOVE OR BELOW TV (SHOWN IN BELOW CONFIGURATION)

# SHELF CONFIGURATION