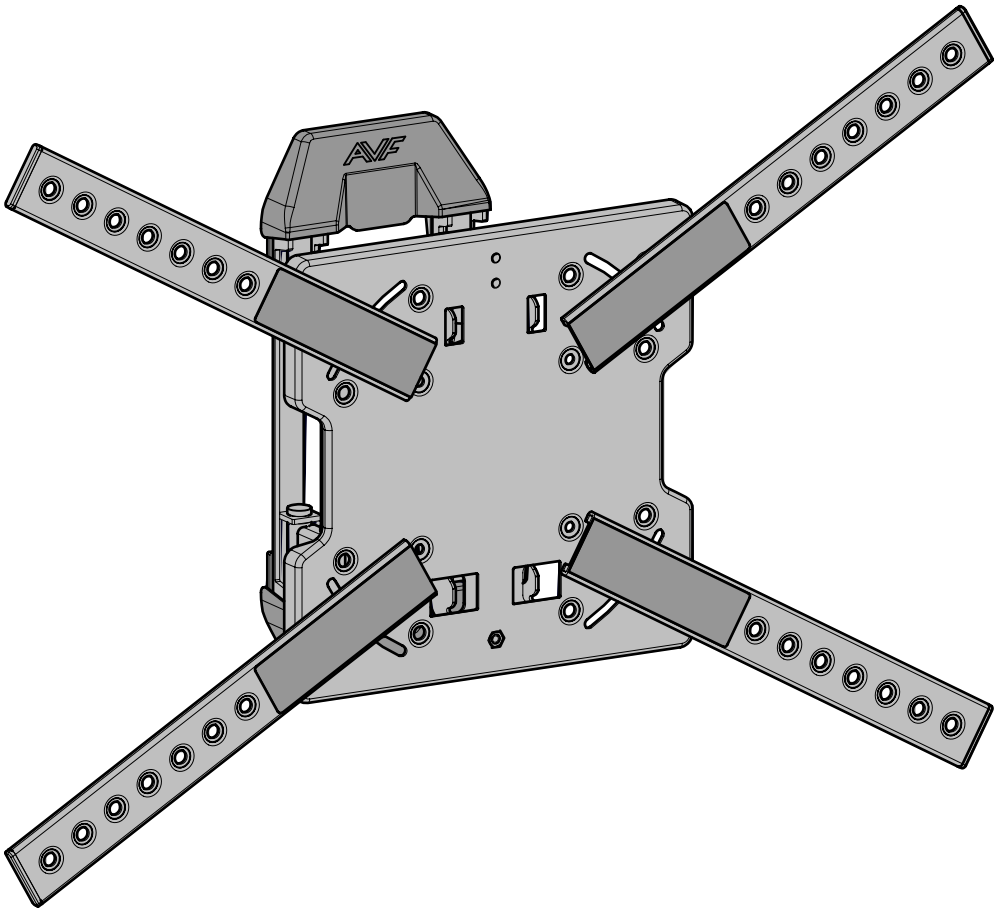


**472378 Rev00**

**Please read these instructions thoroughly before installation.**



If you have any questions or need spare parts don't worry, we're happy to help.

**Customer Helpline**

**0333 320 0463**

**Helpline Open** Mon to Thurs 9am - 5pm, Fri 9am - 4pm

**Online Support**

**[www.avfgroup.com/support](http://www.avfgroup.com/support)**

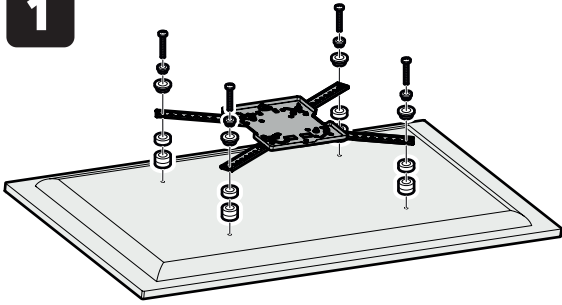
**AVF Group Ltd.** Hortonwood 30, Telford, Shropshire, TF1 7YE, England

# Mount your TV in 3 easy steps!

## Assembly Overview

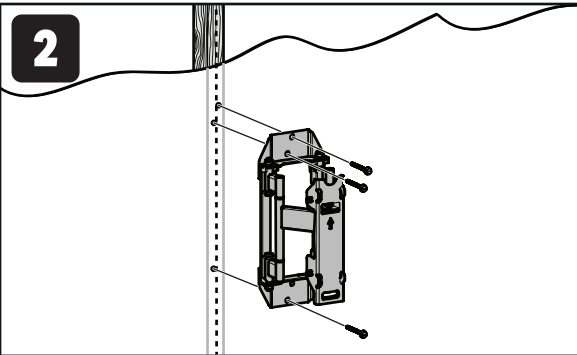


**1**



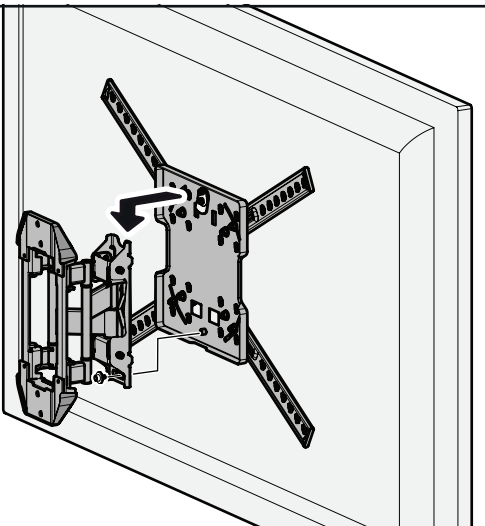
Attach the TV Mounting Plate to the TV

**2**



Attach the Wall Plate to the Wall

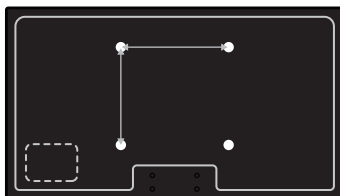
**3**



Hook the TV on to the Mount Arm



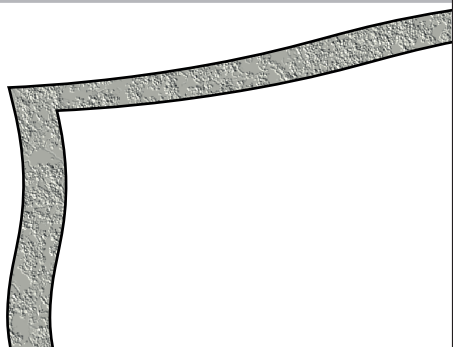
**CAUTION**  
Use with products heavier than capacity may result in instability causing possible injury



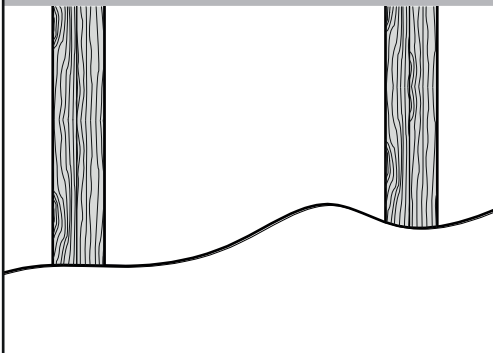
**VESA**  
100 x 100mm  
up to  
600 x 400mm

## Suitable Wall Types

### Solid Concrete Wall



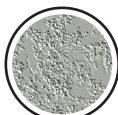
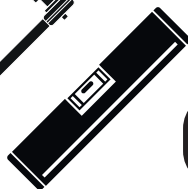
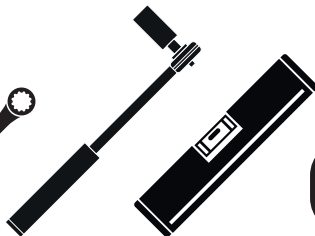
### Wood Stud Wall



## You will need



Stud Finder

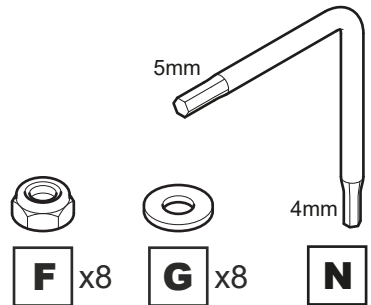
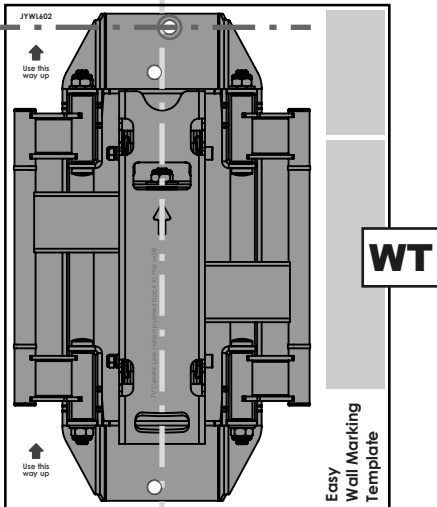
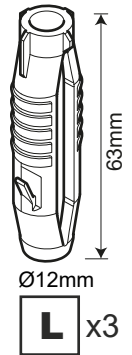
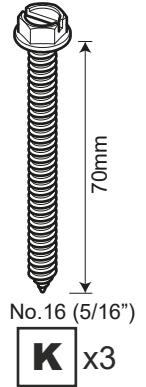
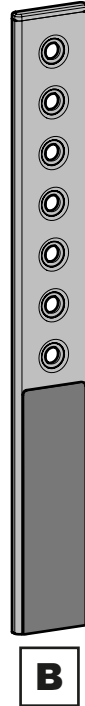
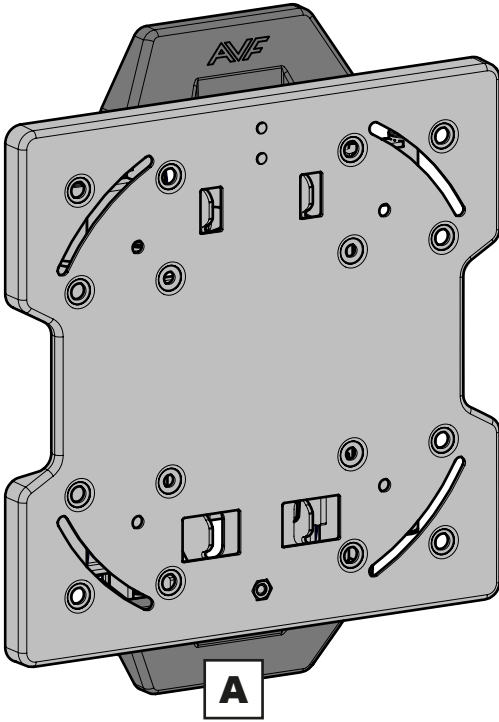


Ø 12mm / 15/32"  
Masonry



Ø 5mm / 13/64"  
Wood

# Parts Included



0333 320 0463

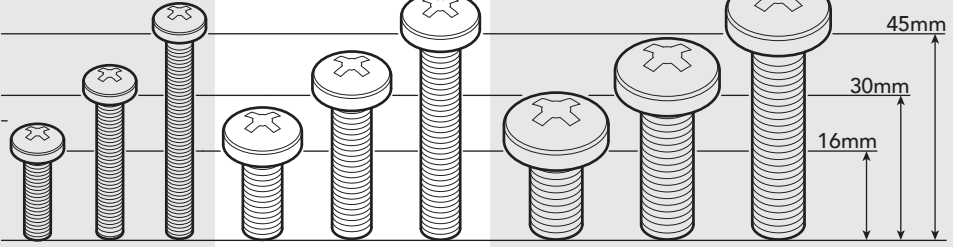
Contact us for help!

# TV Fixings

M4

M6

M8



Length of Screw Thread

J1  
x4

J2  
x4

J3  
x4

J4  
x4

J5  
x4

J6  
x4

J7  
x4

J8  
x4

J9  
x4



H1  
x4



H2  
x4



I1  
x4



I2  
x4

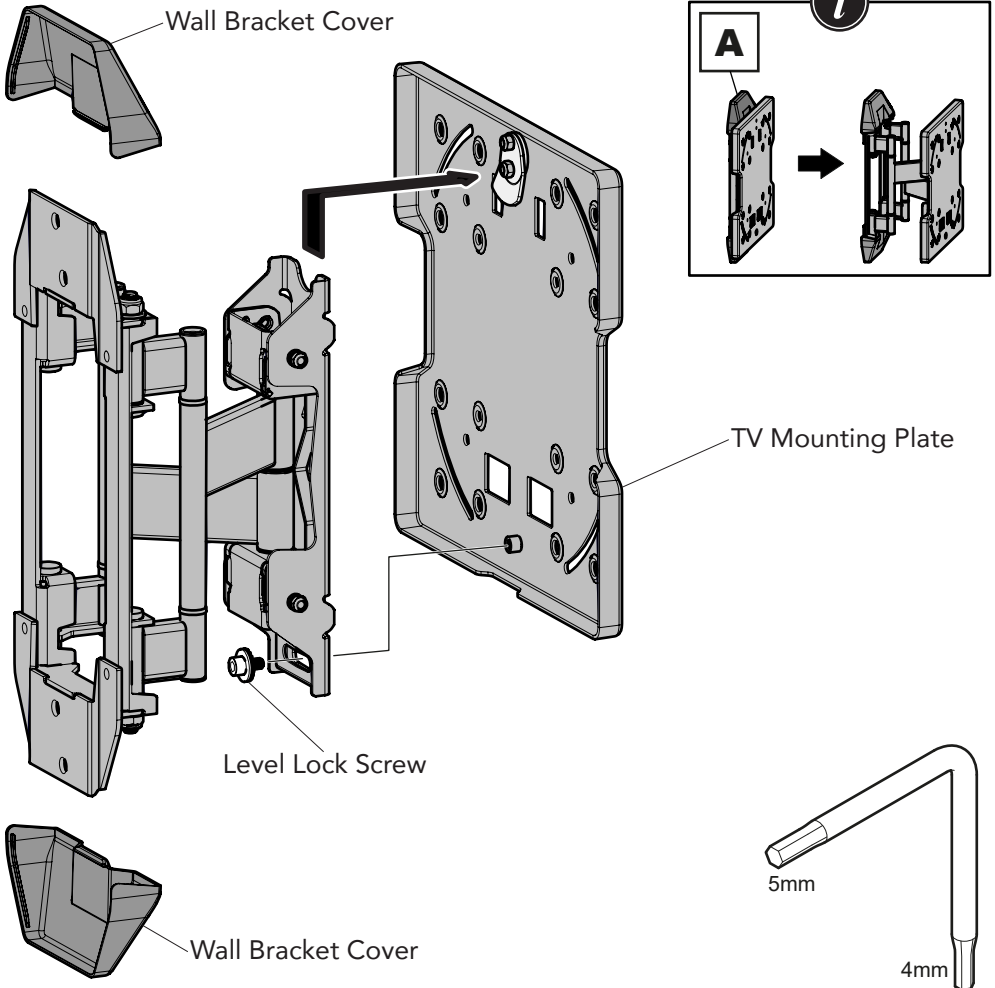


You won't need all these screws.  
Just use the screws that fit your TV.  
Keep left over screws in a safe place.



# 1A Preparing the TV Mounting Plate

Before you can attach the TV mounting plate to your TV you need to disassemble the wall mount.



**i** Remove the Level Lock Screw and safely keep for Step 3A.

**ii** Remove the TV Mounting Plate.

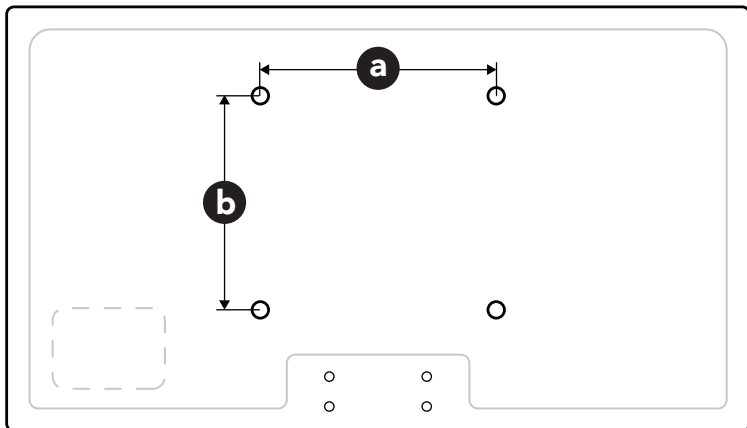
**iii** Remove the Wall Bracket Covers and safely keep for Step 2C.



0333 320 0463

Contact us for help!

Measure the distance between the mounting holes (VESA) on the back of your TV.



- If the distance **a** and **b** is 200mm or less then proceed straight to Step 1B.
- If the distance **a** or **b** is greater than 200mm you will need to add the four VESA adaptors before proceeding to Step 1B.
- If you are not using the adaptors, keep them and any fixings in a safe place in case they are needed in future.



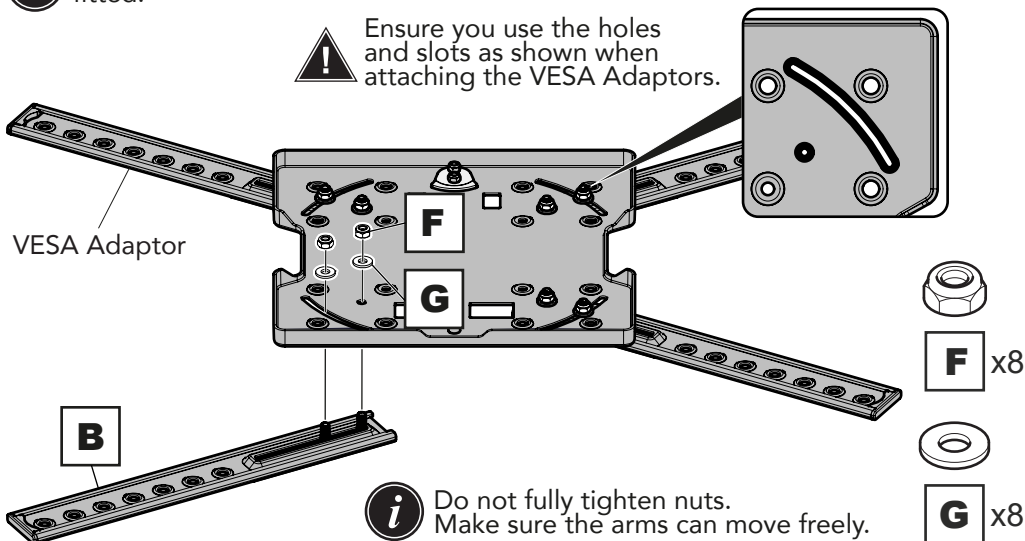
Attach VESA Adaptors if **a** or **b** are greater than 200mm.



For reference, the images in the rest of the booklet show the VESA Adaptors fitted.



Ensure you use the holes and slots as shown when attaching the VESA Adaptors.

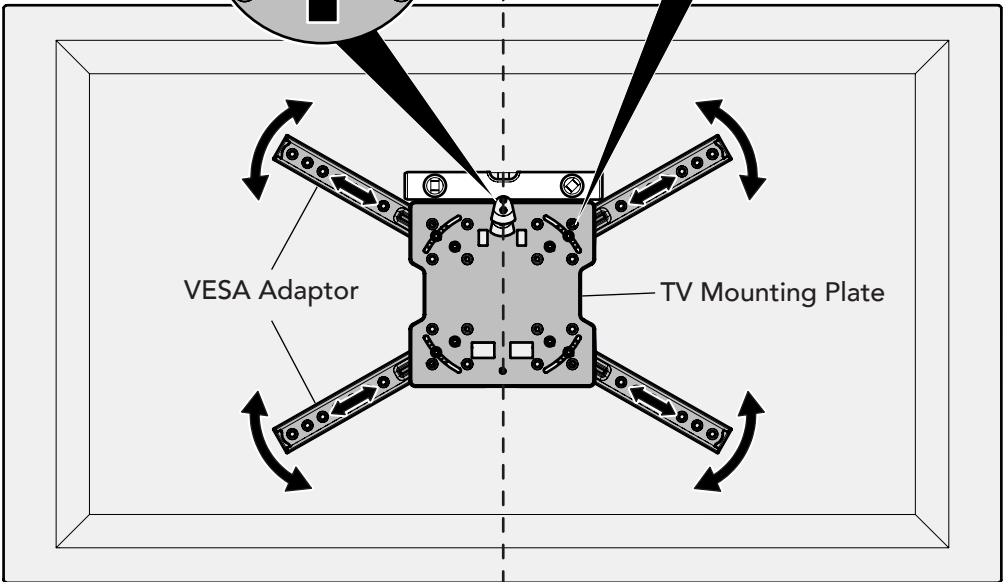
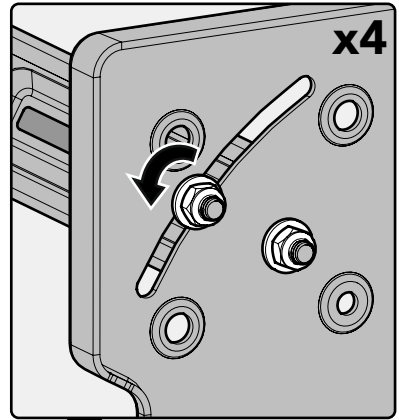
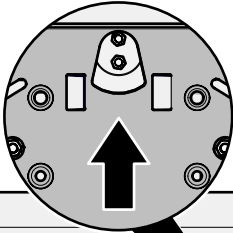


# 1B Attach the TV Mounting Plate to the TV

## i Position the TV Mounting Plate

- Position the TV Mounting Plate on the back of your TV. The plate must be level and positioned on the vertical centre line of your TV.
- Adjust VESA adaptors to fit the holes on the back of your TV. You can use any hole on the adaptors.
- If using the TV Mounting Plate without the VESA Adaptors, just align the plate so that it fits over all four fixing holes on the back of your TV.

Top of TV Mounting Plate



Vertical Centre Line

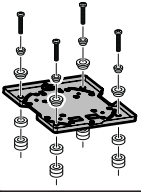


0333 320 0463

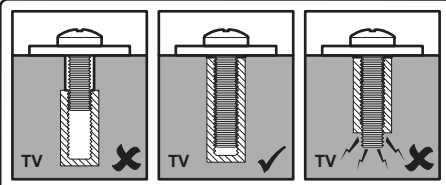
Contact us for help!



## ii Attach the TV Mounting Plate

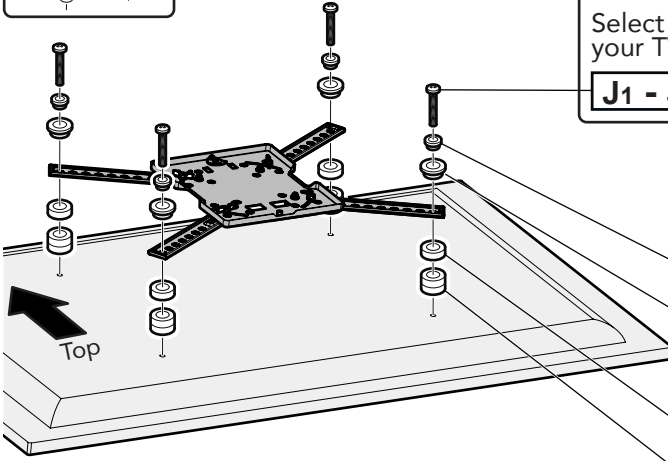


If TV VESA is 200x200mm or less, use holes in the TV Mounting Plate.



Select the correct TV screw to fit your TV.

J1 - J9

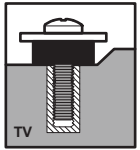


	J1 - J3	J4 - J6	J7 - J9
H2	✓	✗	✗
H1	✓	✓	✗

Do you need H1 or H2?

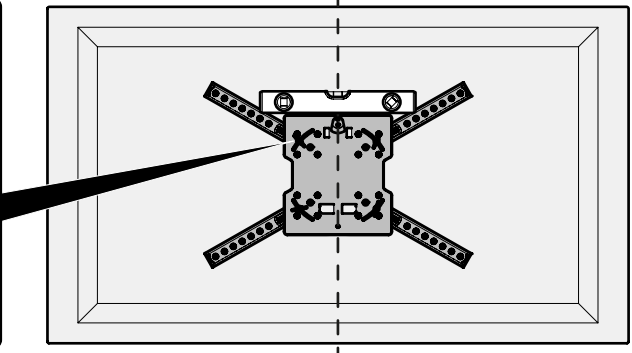
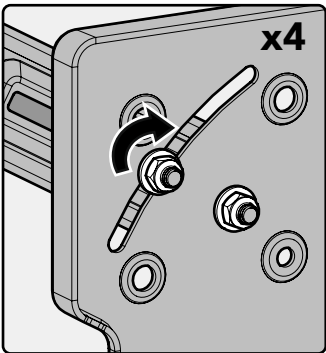
You may need to use Spacers I1 or I2 if the screws are too long or the back of your TV is not flat.

I2  
I1

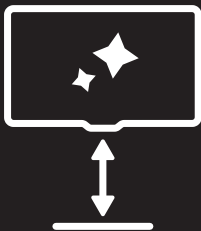


## iii Check and Secure the TV Mounting Plate

Make sure the TV Mounting Plate is still level and positioned on the vertical centre line of your TV. Fully tighten the nuts on the VESA adaptors.



## 2A Marking the Wall for Drill Points



### TV Height Calculator

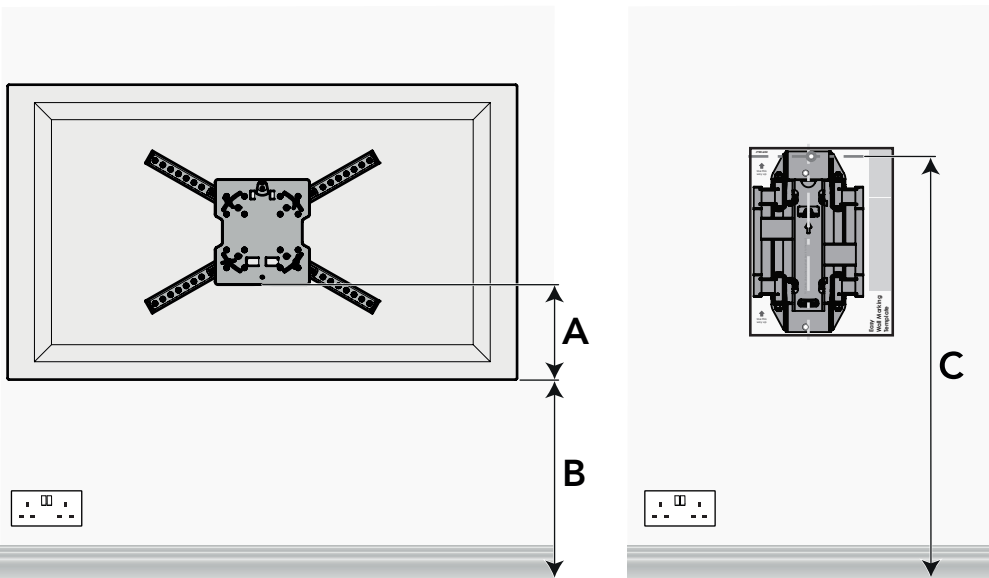
Determine the exact position for your drill points with our easy online tool at [avfgroup.com/avf-jl/product/jyw1602](http://avfgroup.com/avf-jl/product/jyw1602)



### Determine the Height for Your Drill Points

- Measure **A** from the bottom of the TV mounting plate to the bottom of your TV as shown.
- How high **B** would you like the bottom of your TV from the floor?
- Position the wall template so that the horizontal dotted line is **C** above the floor.

$$\boxed{A} \text{ cm} + \boxed{B} \text{ cm} + 28.5\text{cm} = \boxed{C} \text{ cm}$$

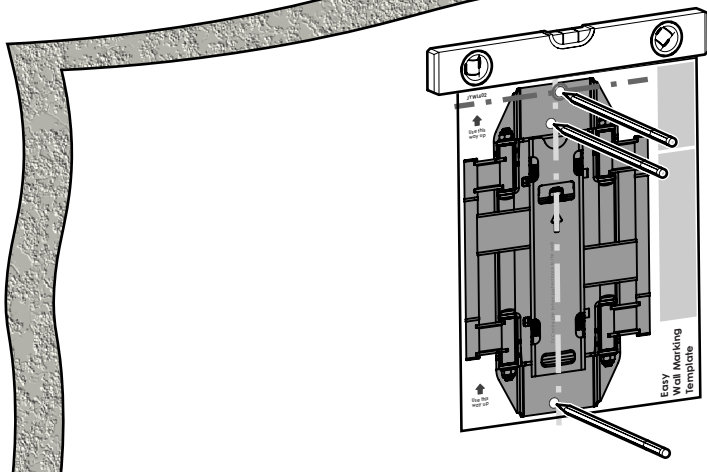


0333 320 0463

Contact us for help!

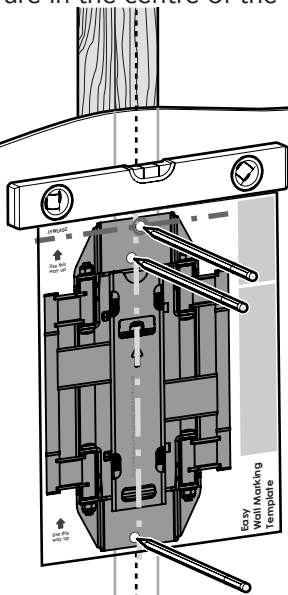
## Solid Concrete Wall

- Use the Wall Template to mark the drill points on your wall.
- Use the 3 drill points as shown.



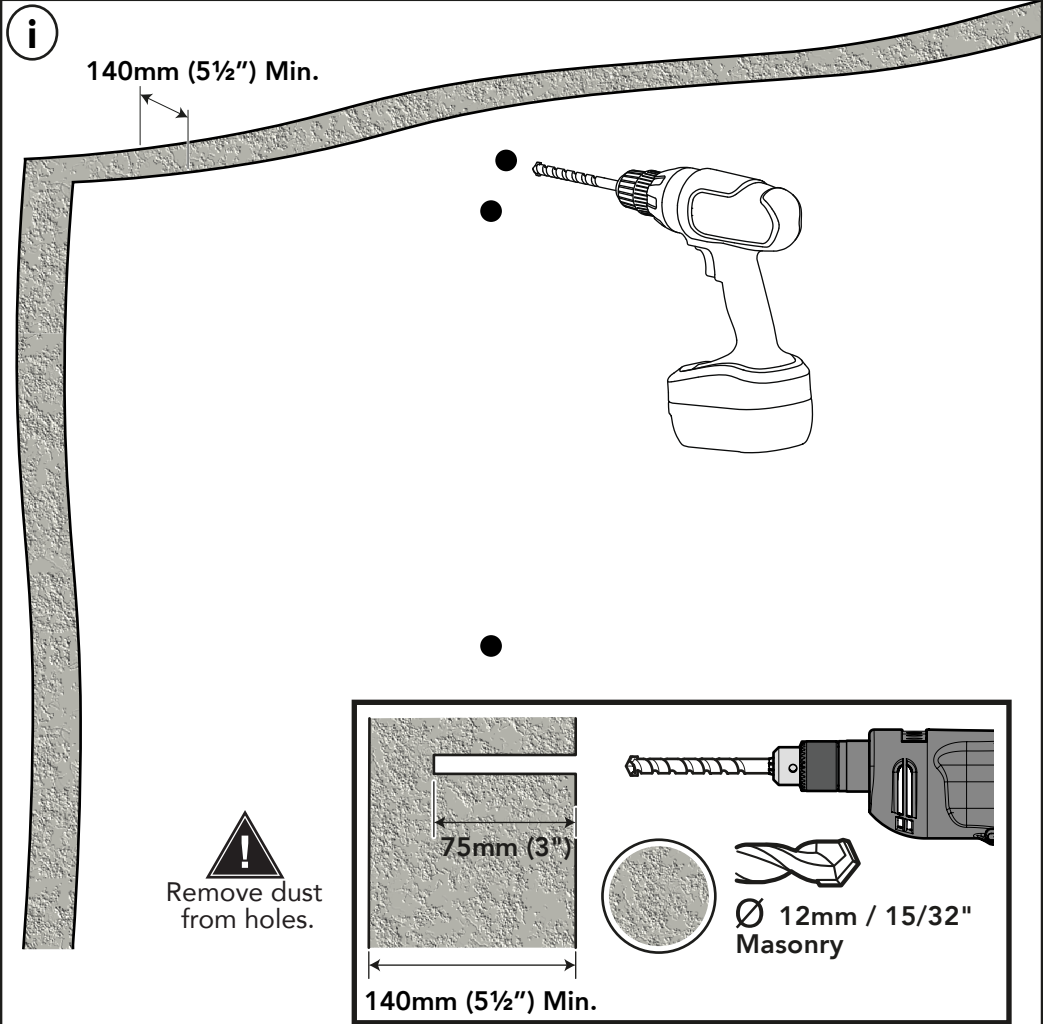
## Wood Stud Wall

- Use the Wall Template to mark the drill points on your wall.
- Use the 3 drill points as shown.
- Make sure the drill points are in the centre of the wood stud.



## 2B Attach the Wall Plate to the Wall

### Solid Concrete Wall



It can be difficult to accurately drill holes with a large drill bit. Try drilling 6mm pilot holes first.

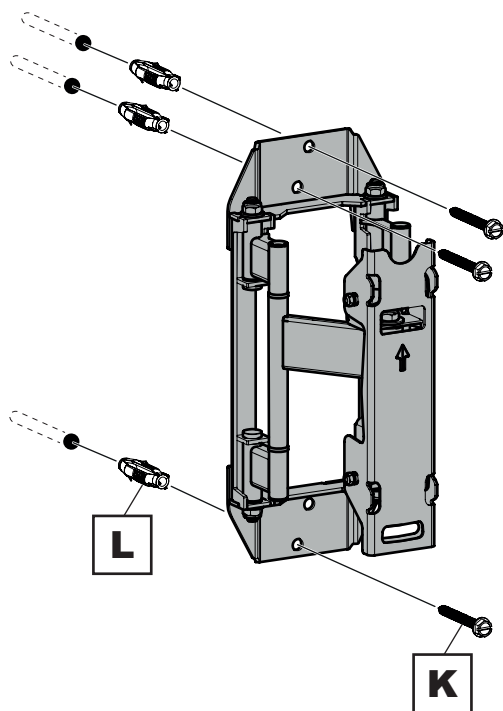


To check the hole depth is ok, insert Screw G and make sure the head of the screw touches the wall.



0333 320 0463

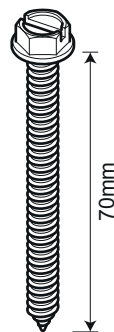
Contact us for help!



Lubricate screw thread with soap.

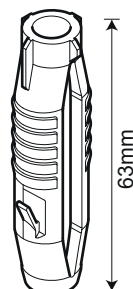


DO NOT overtighten screws.  
Tighten screws by hand only.



No.16 (5/16")

**K** x3



Ø12mm

**L** x3

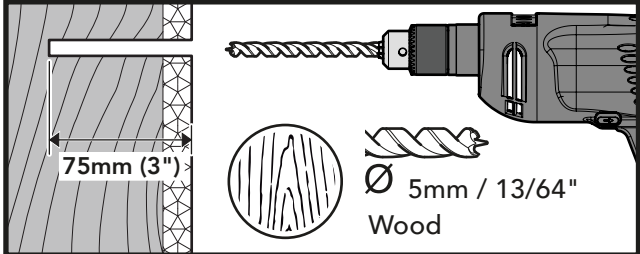
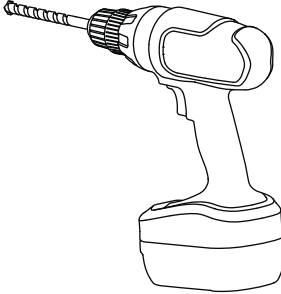
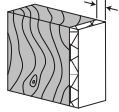


# Wood Stud Wall



50 x 100mm  
(2 x 4") Min

12.5mm  
(1/2") Max



Ensure you drill in the centre of the wood stud.

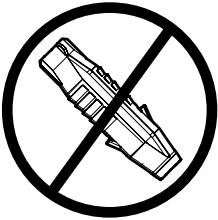
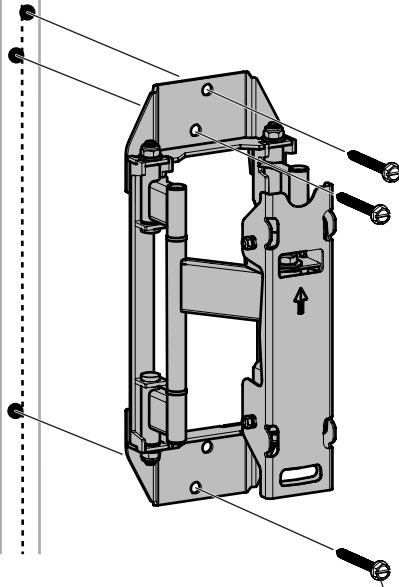
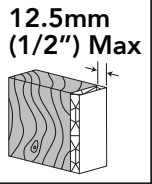


0333 320 0463

Contact us for help!

ii

50 x 100mm  
(2 x 4") Min



DO NOT use wall plugs in a wood stud wall.

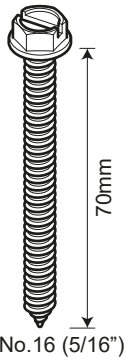


Lubricate screw thread with soap.



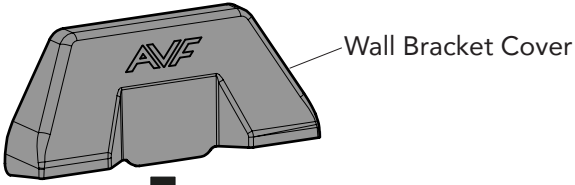
DO NOT overtighten screws. Tighten screws by hand only.

**K**

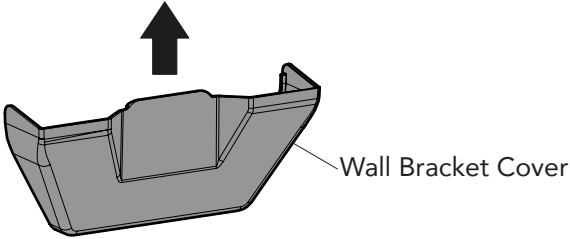
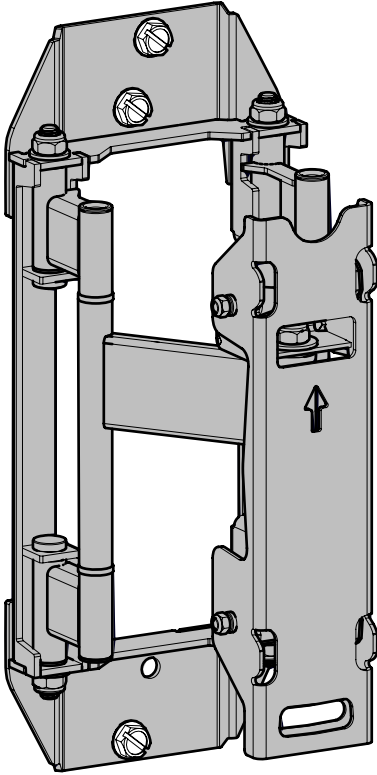


**K** x3



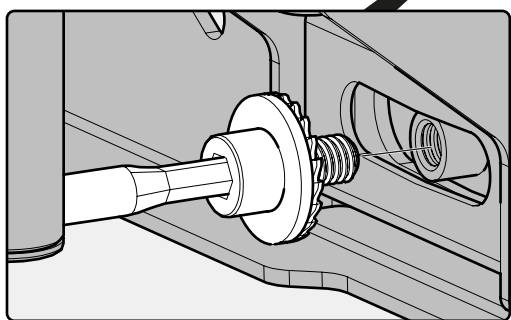
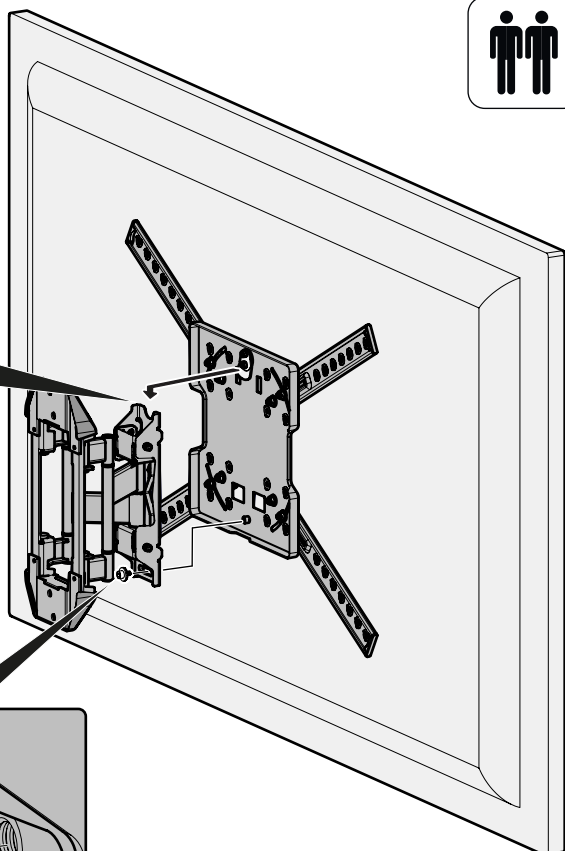
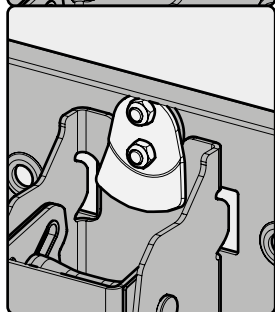
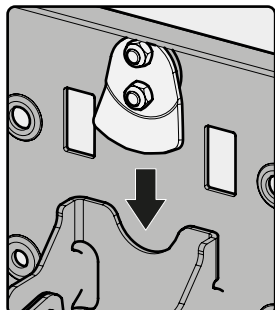


**i** Use the Wall Bracket Covers removed in Step 1A.

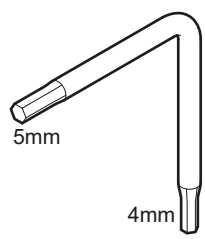




### 3A Connect the TV to the Mount Arm



Reuse Level Lock Screw saved in step 1A.



When the TV is level, ensure the Level Lock Screw is fully tightened.

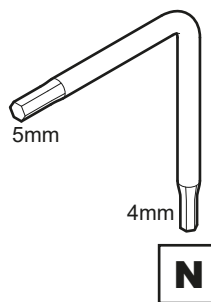
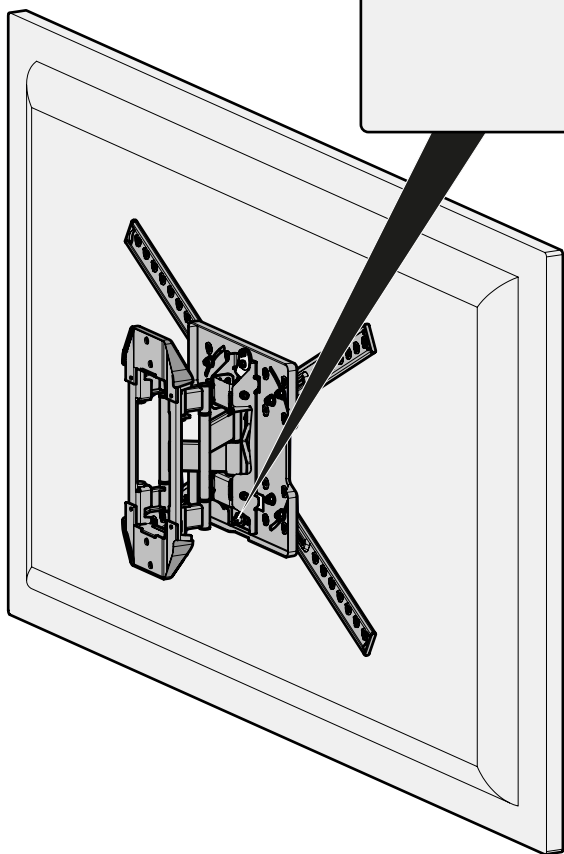
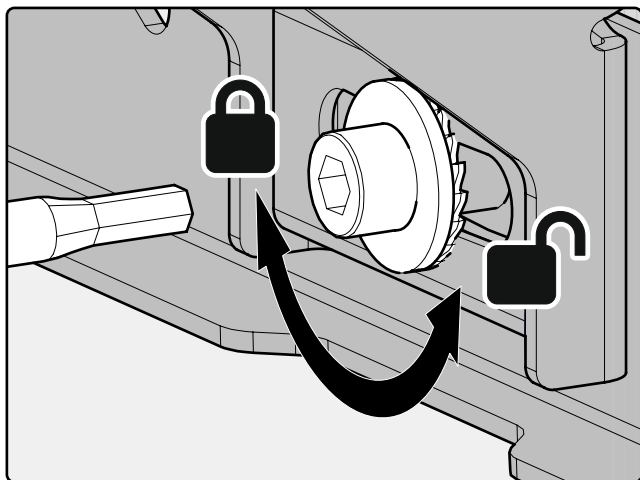


To remove the TV, reverse this procedure.



# Post-Installation Adjustment

## TV Levelling



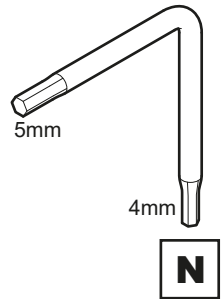
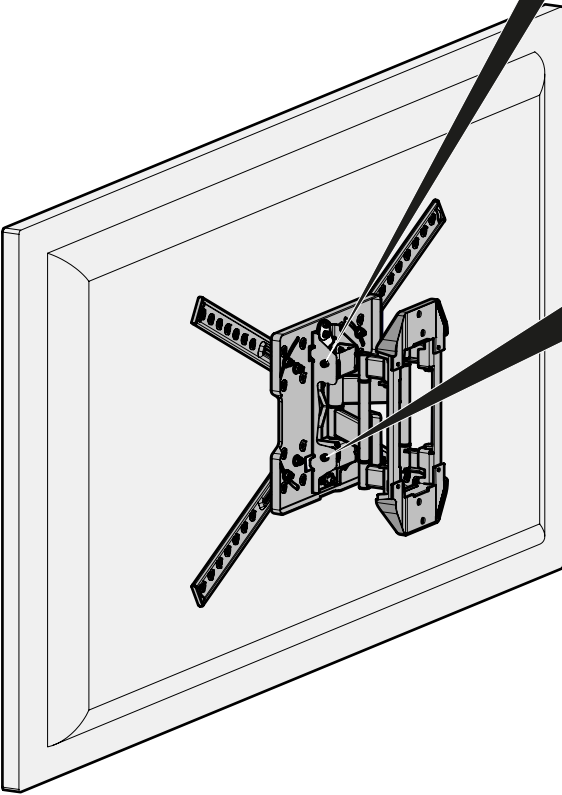
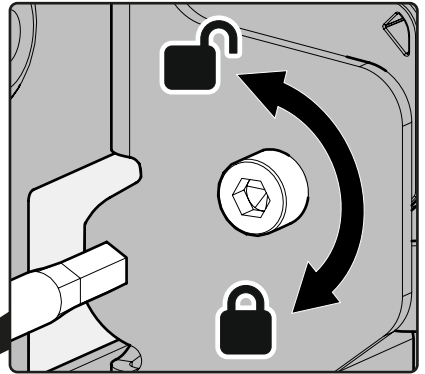
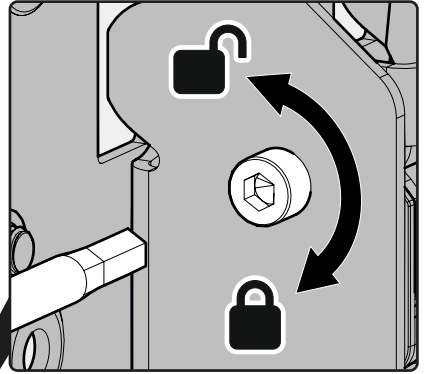
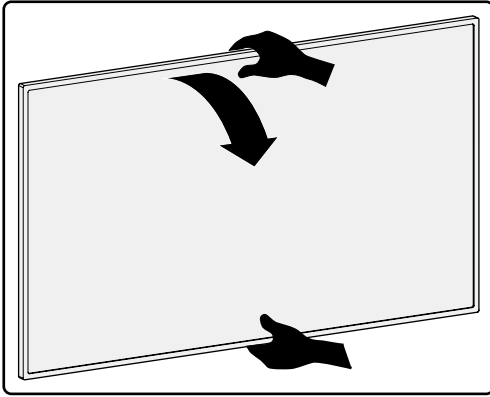
Loosen the Level Lock Screw, adjust your TV until it is level, then re-tighten the screw.



0333 320 0463

Contact us for help!

## Tilt



If you feel the tilt is too stiff or too loose you can adjust the tilt screws to achieve perfect tilt resistance. You must adjust both screws equally. You can also lock the tilt if required.



# LIFETIME WARRANTY

AVF warrants that the product is free from defects in material and workmanship, as long as the product is owned by the original consumer purchaser. If, during the stated warranty of this product, it proves to be defective, AVF will remedy the defect by either repairing or replacing the defective part or, replacing the entire product. Proof of original purchase is required and should be retained.

AVF reserve the right to substitute replacement products to others of similar value and design (Usually in the event of discontinued product models).

AVF accept no responsibility for failures / loss which result from misuse, negligence, accident, improper assembly or installation or other causes beyond AVF's reasonable control and also excludes and will not pay any incidental and consequential damages.

 **PLEASE REVIEW ALL NOTES AND PRODUCT INSTRUCTIONS BEFORE COMMENCING THE INSTALLATION.**

**INSTALLATION:** This product is sold as a home DIY product and as such, it is the responsibility of the installer to ensure that the product is correctly installed. AVF accept no responsibility if the product is incorrectly installed.

This product is intended for indoor use only. Use of this product outdoors could lead to failure and personal injury.

**IF YOU ARE IN ANY DOUBT, CONSULT A QUALIFIED CONTRACTOR.**

## NOTES

**WALLS:** It is the responsibility of the installer to ensure that the wall is of a suitable standard and void of any services (eg gas, electricity, water etc). AVF accept no responsibility for any damage or loss caused by installing this product in a sub standard wall.

**WALL FIXINGS:** Wall fixings are supplied for wood, brick, solid masonry and also, for some specific products, fixings are supplied for fixing to plasterboard.

## DO

- Retain all packaging in case the bracket needs to be returned.
- When fastening to wood studs, be sure to pre-drill holes into the wood stud.
- When fastening to brick or solid masonry, drill the holes in accordance with the instructions. Always remove drill dust from the hole before inserting the wall plug.
- Wall plug body must be fully inserted into the wall (ie fully into the brick).
- Lubricate the wall screws with soap to ease installation.
- Check the strength of the installation before fitting the TV.
- Periodically check strength of installation, signs of corrosion, damage or loose components.

## DON'T

- Do not set in mortar joints.
- Do not over tighten screws.

## TV HANGING

Must be carried out using the manufacturers threaded holes intended for this purpose. All variables of TV hanging screws are supplied within the product box (Because of the universal nature of this product, expect to have excess parts left over following your installation).

It is the responsibility of the installer to ensure the correct TV hanging screws are selected. If in doubt consult the TV manufacturer. AVF accept no responsibility for any damage caused by the use of the incorrect TV hanging screw or the use of incorrect fixing holes.



0333 320 0463

[avfgroup.com/support](http://avfgroup.com/support)

