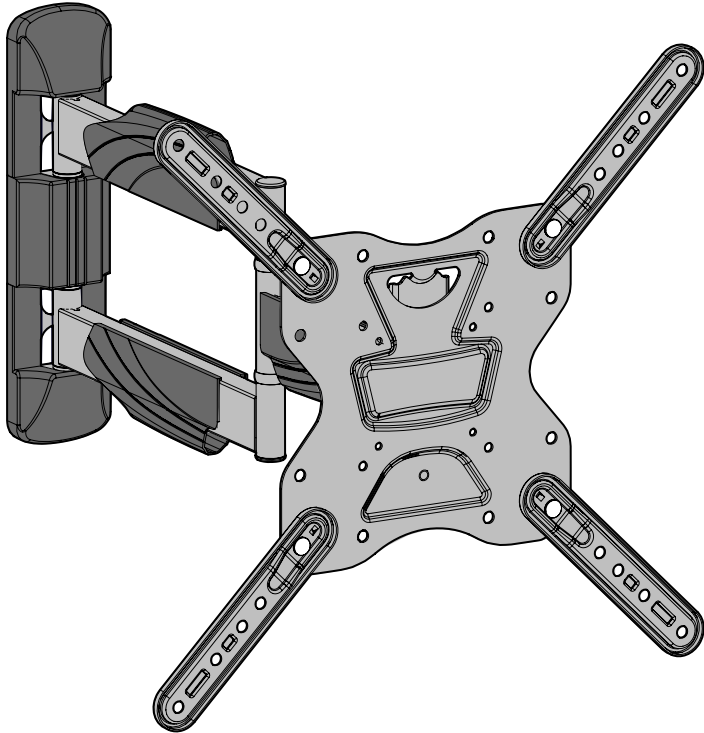


www.avfgroup.com



472014 rev01

Please read these instructions thoroughly before installation.



45kg
99lb

Please don't return me to the store

If you are unsure or need advice
please contact our **UK-based support team:**



0333 320 0463 | avfgroup.com

Phone lines open Mon-Fri during AVF office hours

Retain all packaging in case the bracket needs to be returned.

Contents may vary from photography/illustrations.

You will not need all these parts, so expect there to be some left over depending upon the specification of your TV.

This product is intended for indoor use only. Use of this product outdoors could lead to failure and personal injury.

It is the responsibility of the installer to ensure that the mounting wall is of a suitable standard and void of any services (eg gas, electricity, water etc).

AVF accept no responsibility for any damage or loss caused by installing this product in a sub standard wall.



10 YEAR WARRANTY

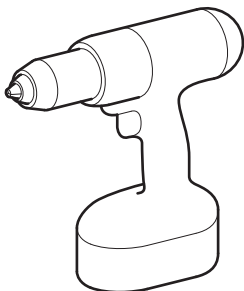
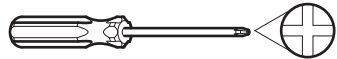
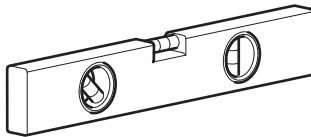
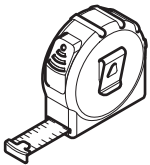


This product comes with a 10 Year Warranty.

This will be honoured as long as the product is owned by the original consumer purchaser. Proof of purchase is required.

For detailed warranty information please visit: www.avfgroup.com/uk/warranties

You will need

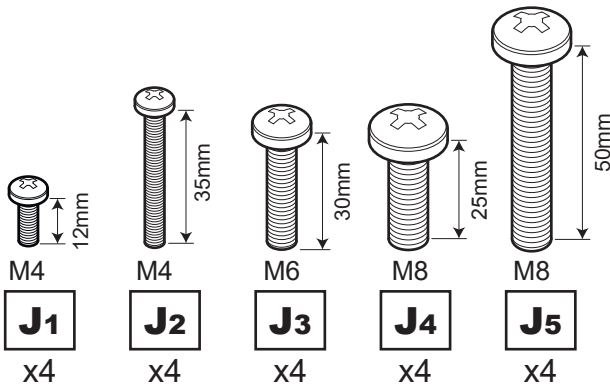
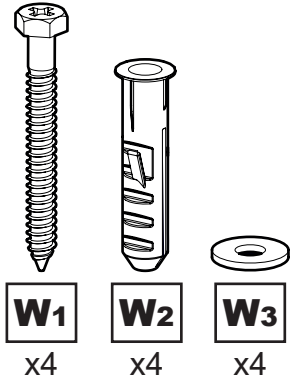
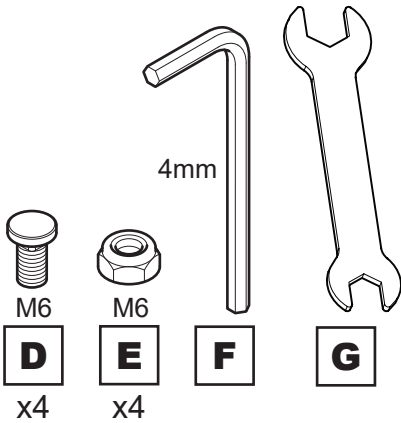
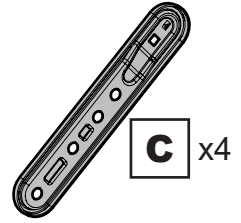
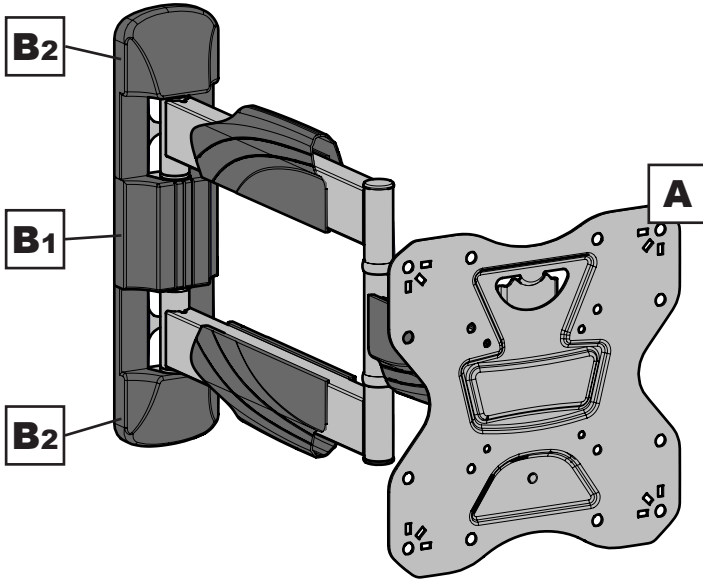


Ø3mm (1/8") Wood

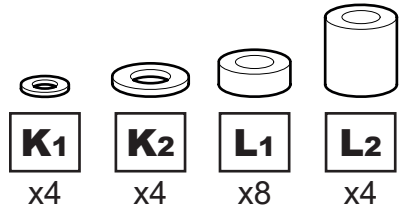


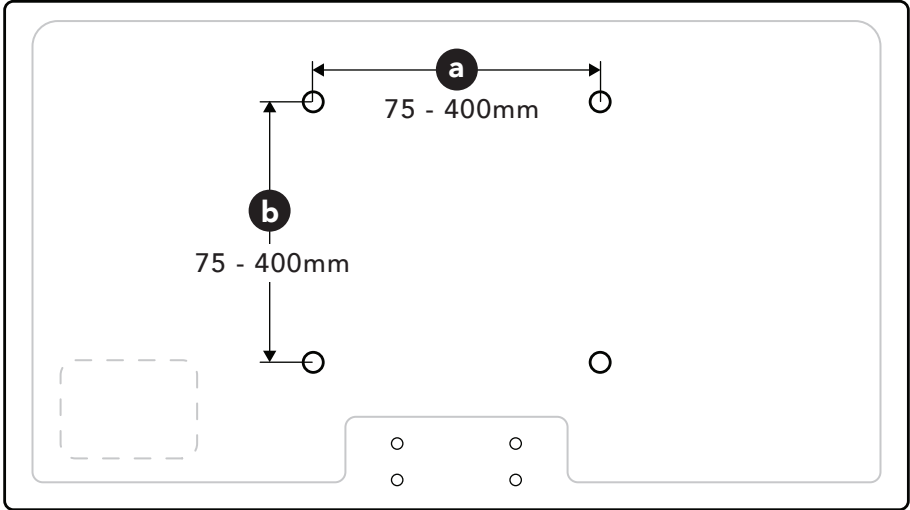
Ø10mm (25/64") Masonry

Boxed Parts

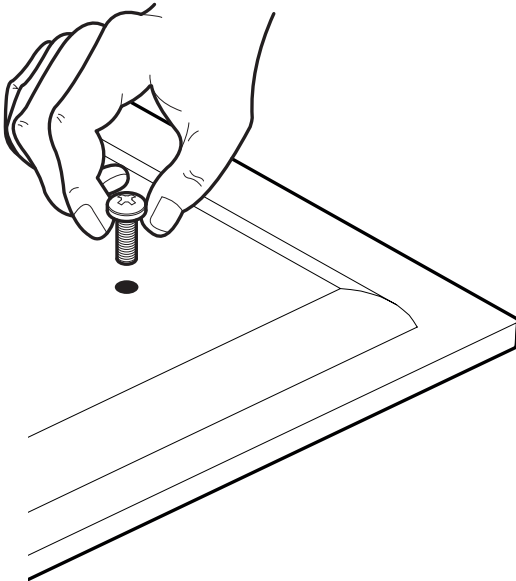


You won't need all these screws. A range of TV Screws and extra Wall Fixings are provided. Keep left over screws in a safe place.



1**Measure the TV fixing holes Width and Height**

If width **a** is greater than 400mm or height **b** greater than 400mm
STOP installation now and contact the customer helpline.



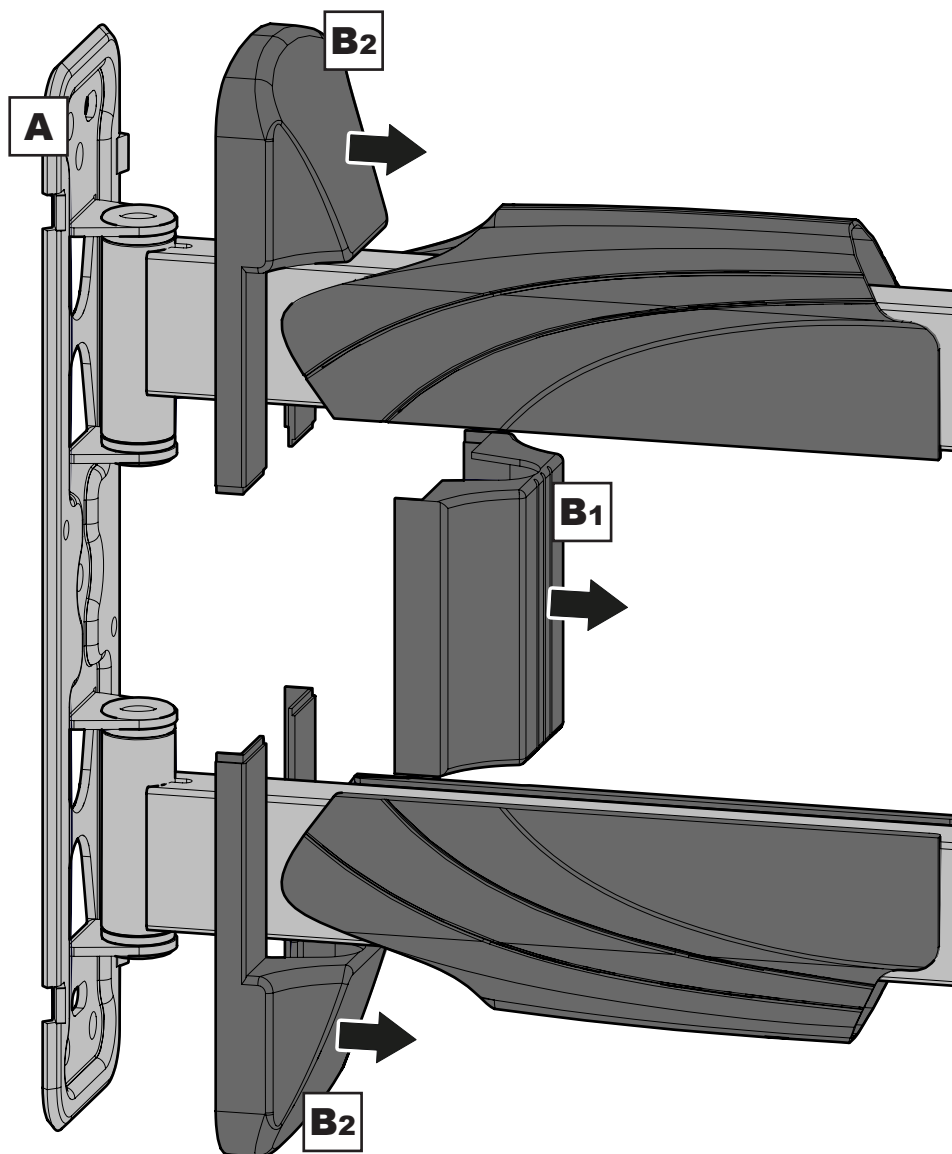
Determine which diameter TV Screws fit your TV and put them to one side.

M4, M6 or M8

We will select the correct length later.

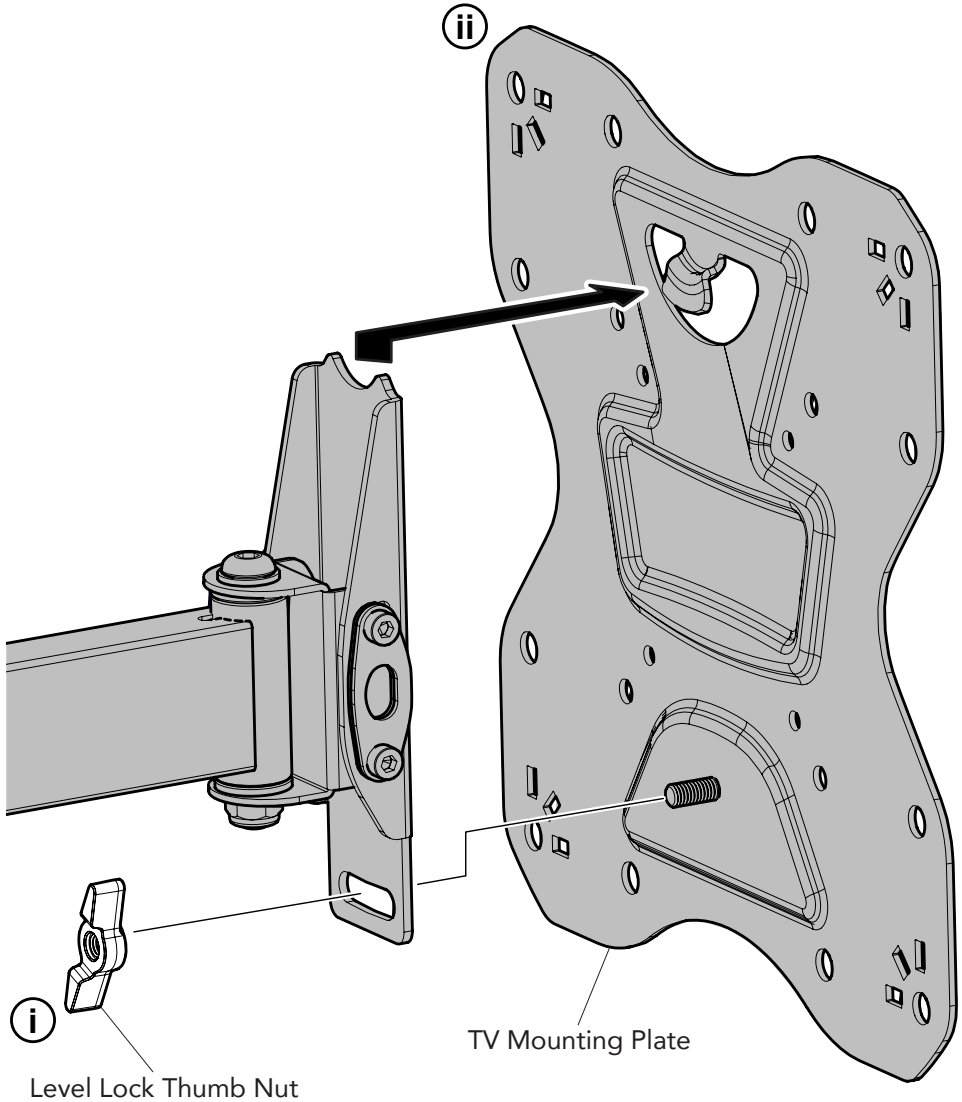
2 Remove the Wall Bracket Covers

i Remove the Wall Bracket Covers and keep for Step 6.



3 Preparing the TV Mounting Plate

Before you can attach the TV mounting plate to your TV you need to remove the plate from your wall mount.

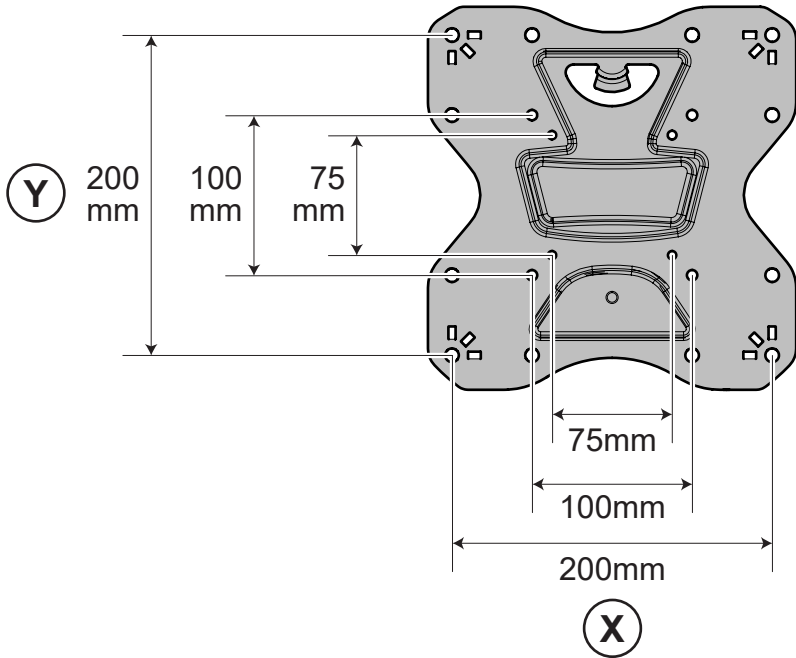


i Remove the Level Lock Thumb Nut and safely keep for step 7.

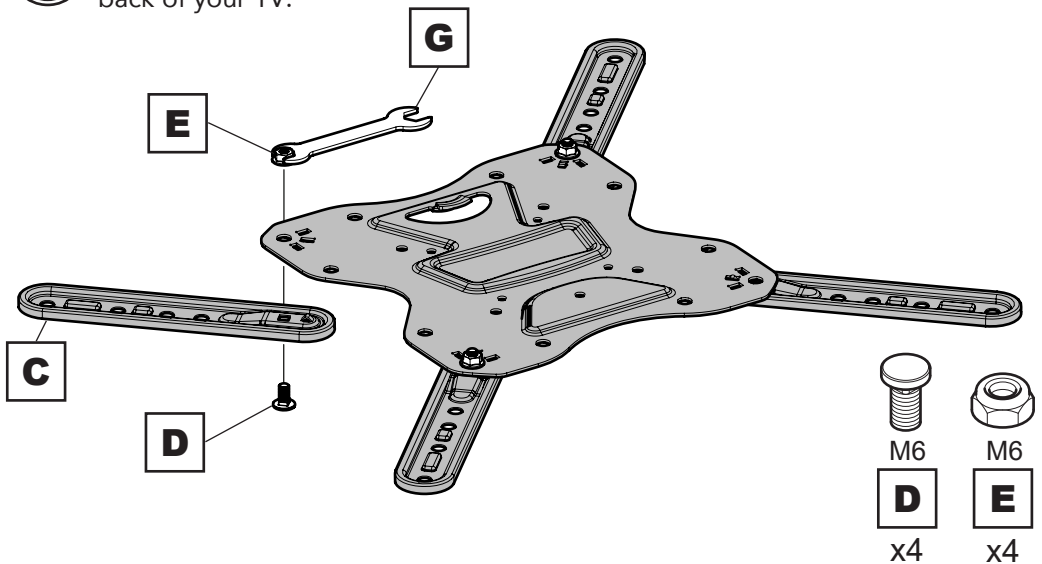
ii Remove the TV Mounting Plate.



If your TV VESA is 200 x 200mm or less you can use the TV Plate without using the VESA extension arms (Part C).



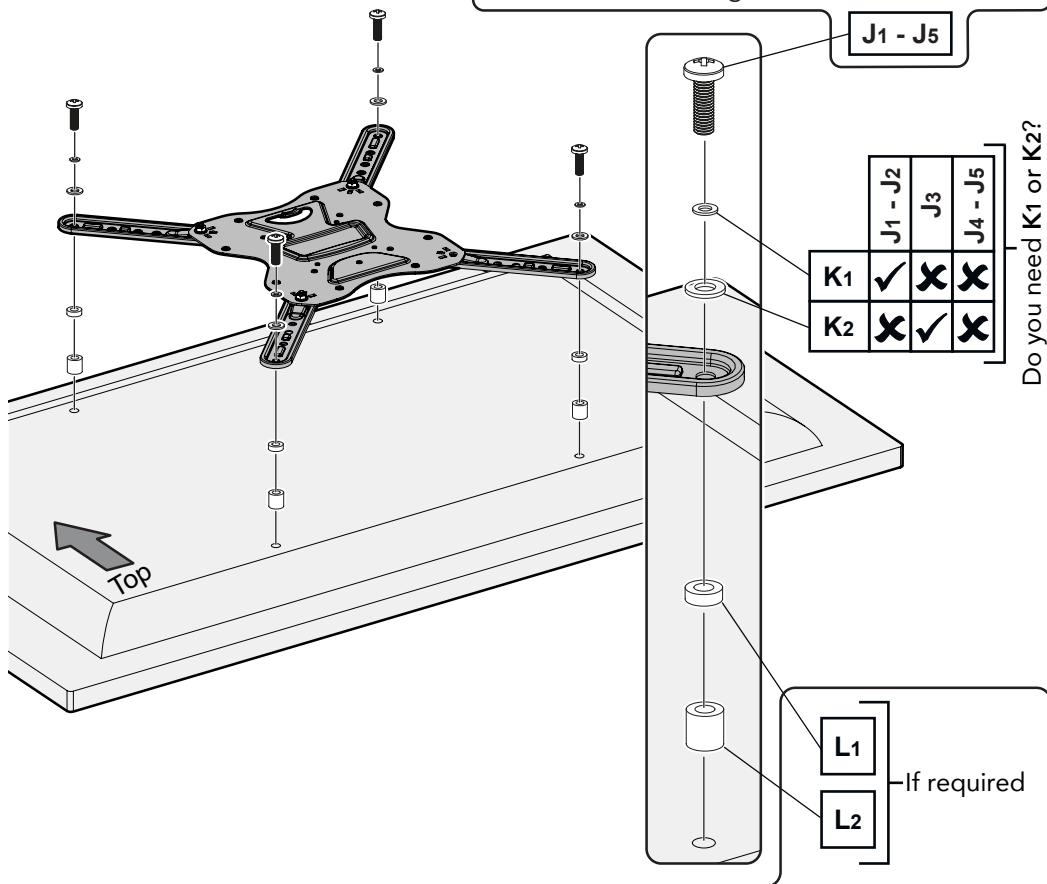
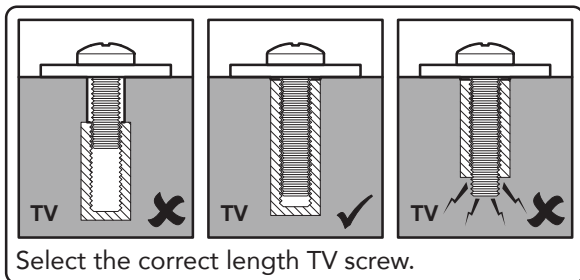
If your TV VESA is larger than 200 x 200mm then you will need to attach the VESA extension arms (Part C). Line the arms up to match the holes on the back of your TV.



4 Fitting the TV Mounting Plate



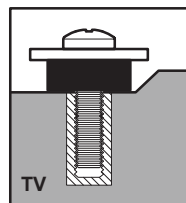
After completing this step, you will have lots of TV screws left over. Keep them in a safe place in case you require them in future.



You may need to use Spacers L1 or L2 if the screws are too long or the back of your TV is not flat.

You can also use longer screws and the spacers to help avoid cabling or plug sockets on your wall.

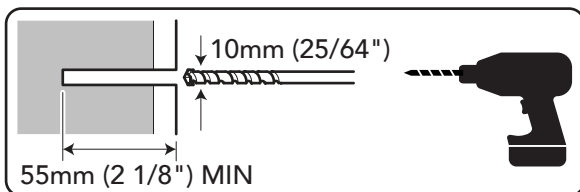
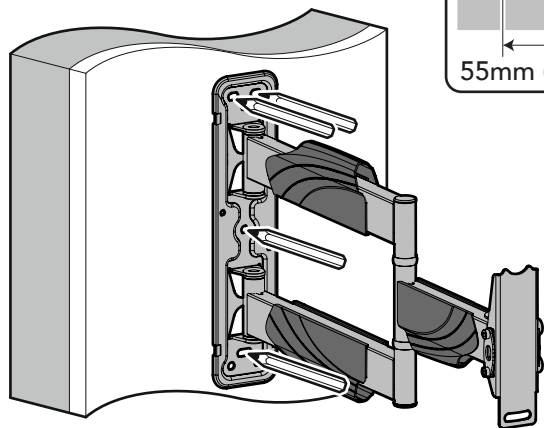
You can use any combination and quantity of L1 and L2 to achieve the spacing you require.





5 Fitting the Wall Bracket

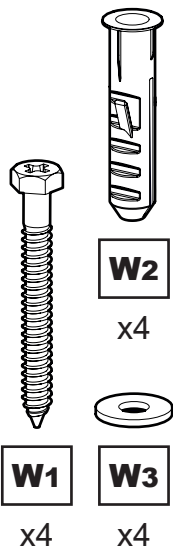
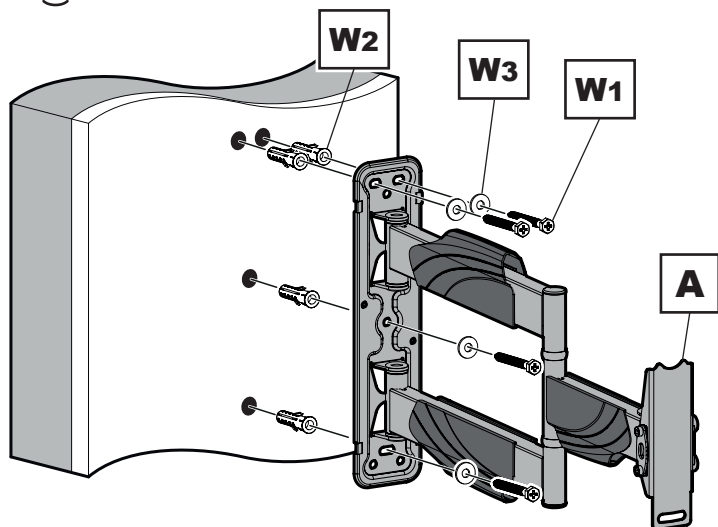
Solid Wall


i If fitting to a Wood Stud Wall follow the installation instructions on the next page.



 Remove Dust from Hole

 Lubricate screw thread with soap

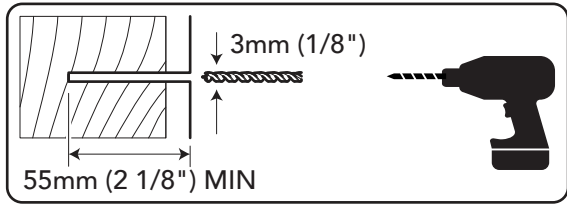
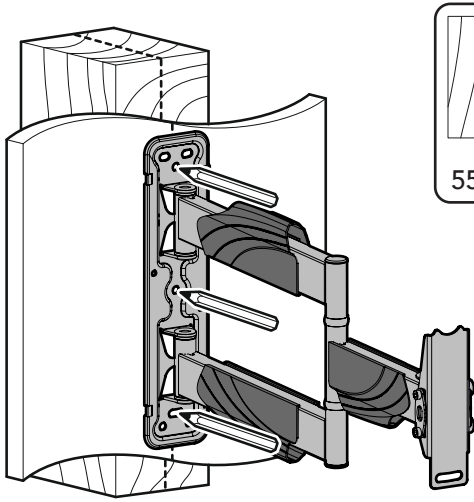


 **DO NOT** overtighten screws.
Tighten screws by hand only.

Wood Stud Wall



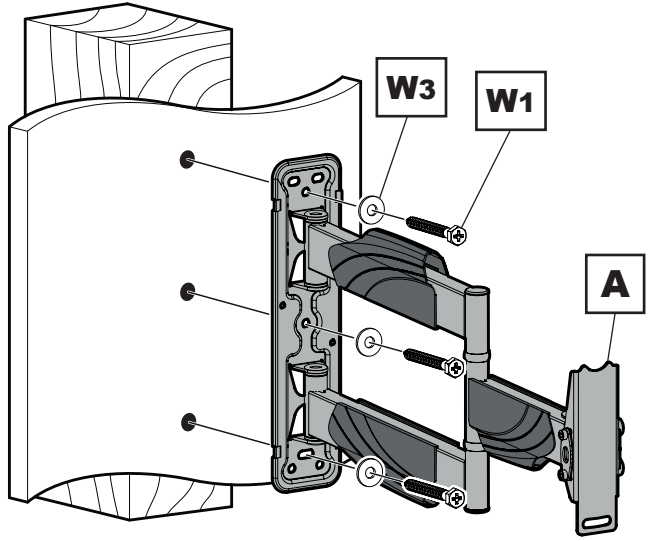
If fitting to a Solid Wall follow the installation instructions on the previous page.



Ensure you drill in the centre of the wood stud.

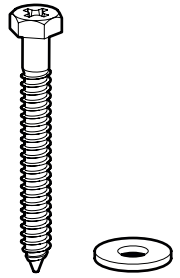


Lubricate screw thread with soap



DO NOT overtighten screws. Tighten screws by hand only.

DO NOT use wall plugs in a wood stud wall.



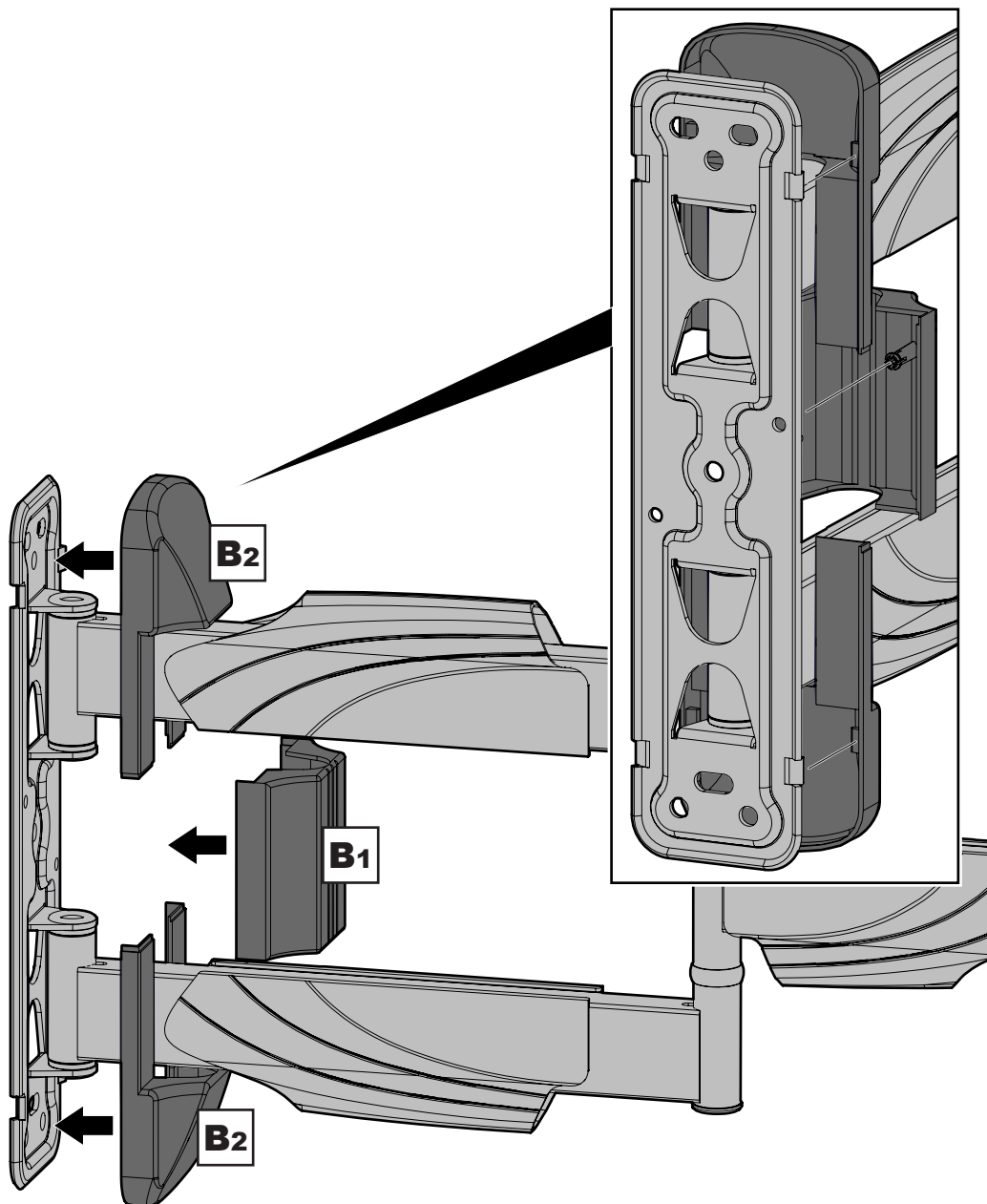
x3



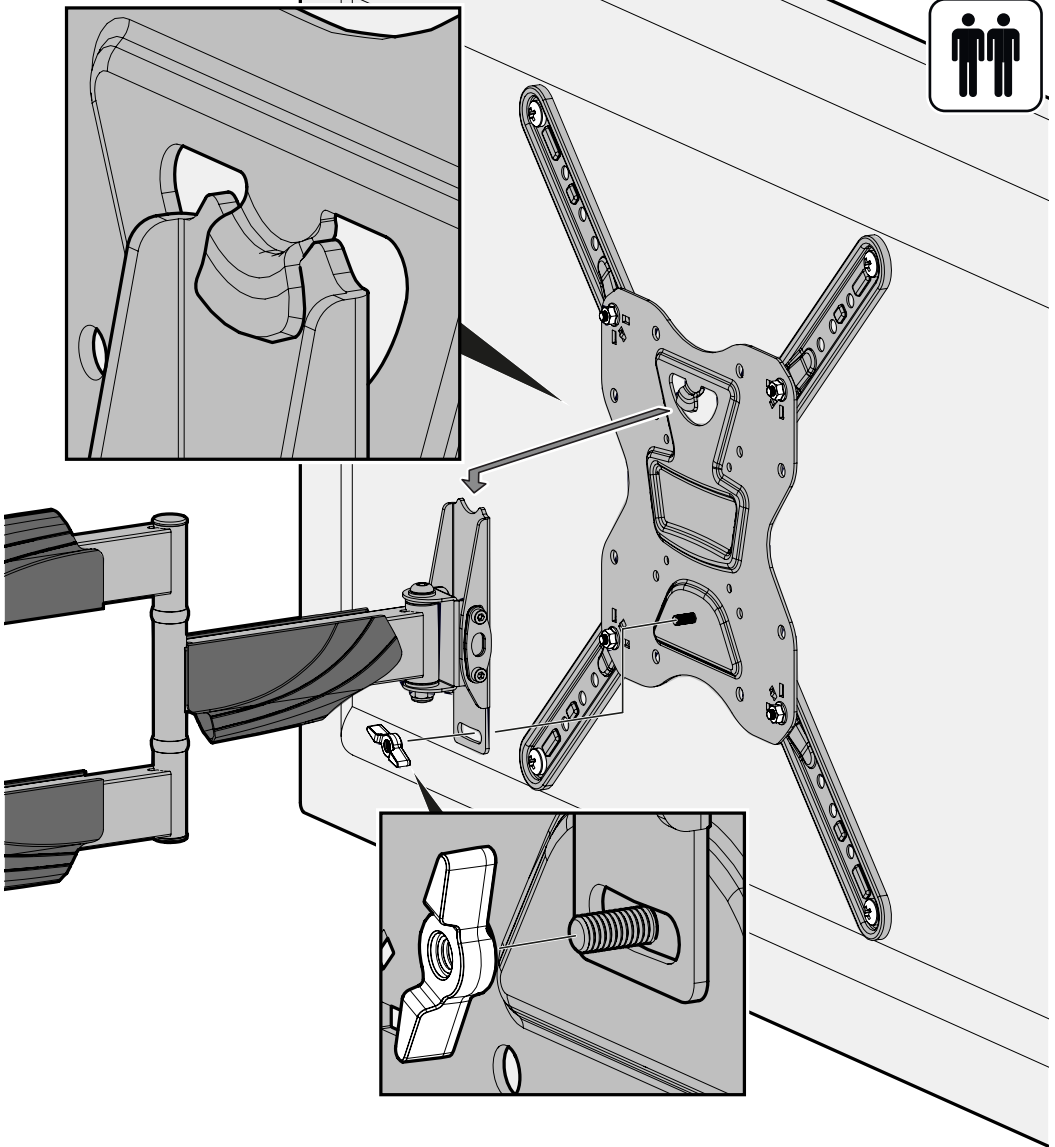
x3

6 Fitting the Wall Bracket Covers

i Align tabs on Wall Bracket Covers with slots on Wall Bracket.



7 Hanging the TV



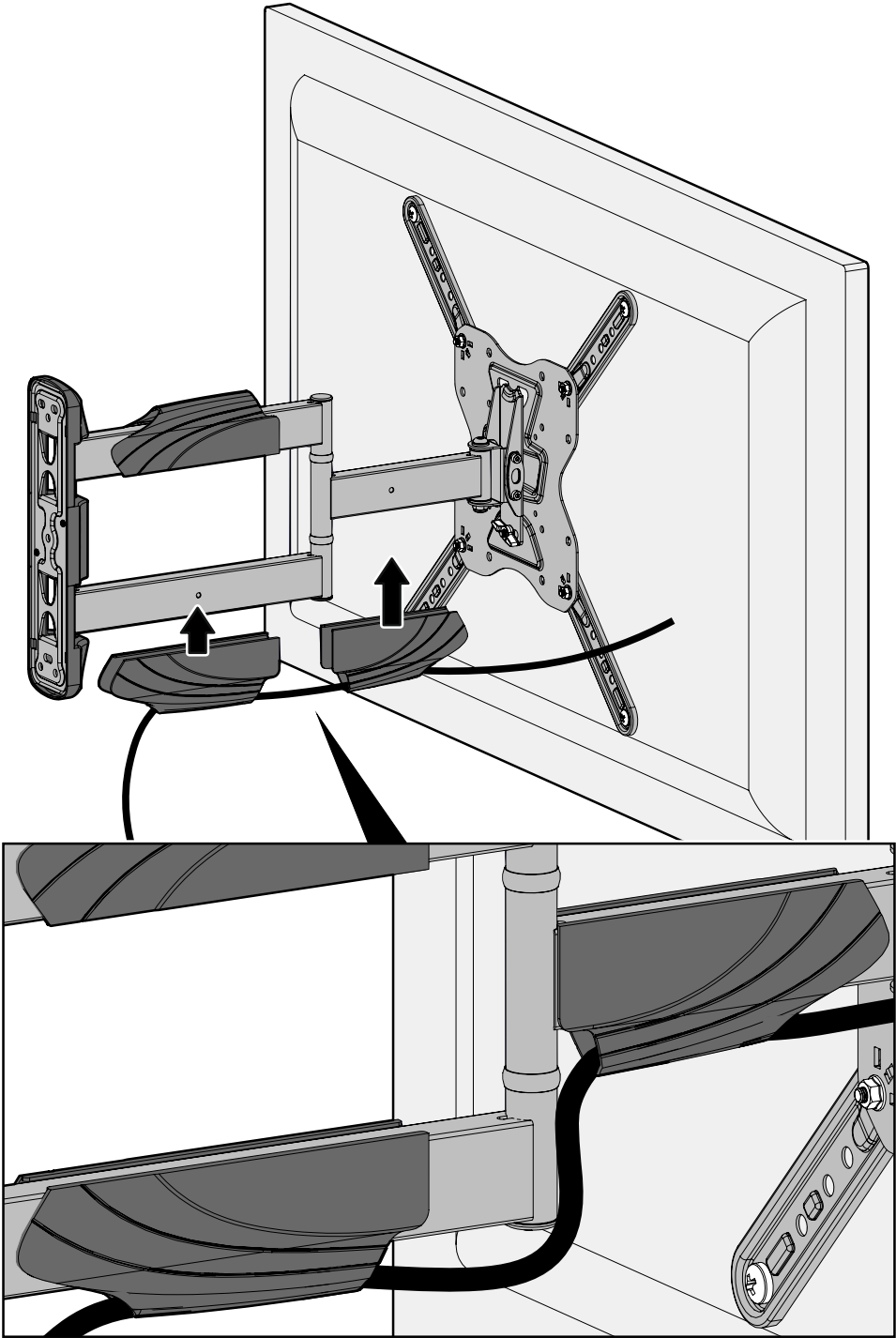
Reuse the Level Lock Thumb Nut saved in step 3.



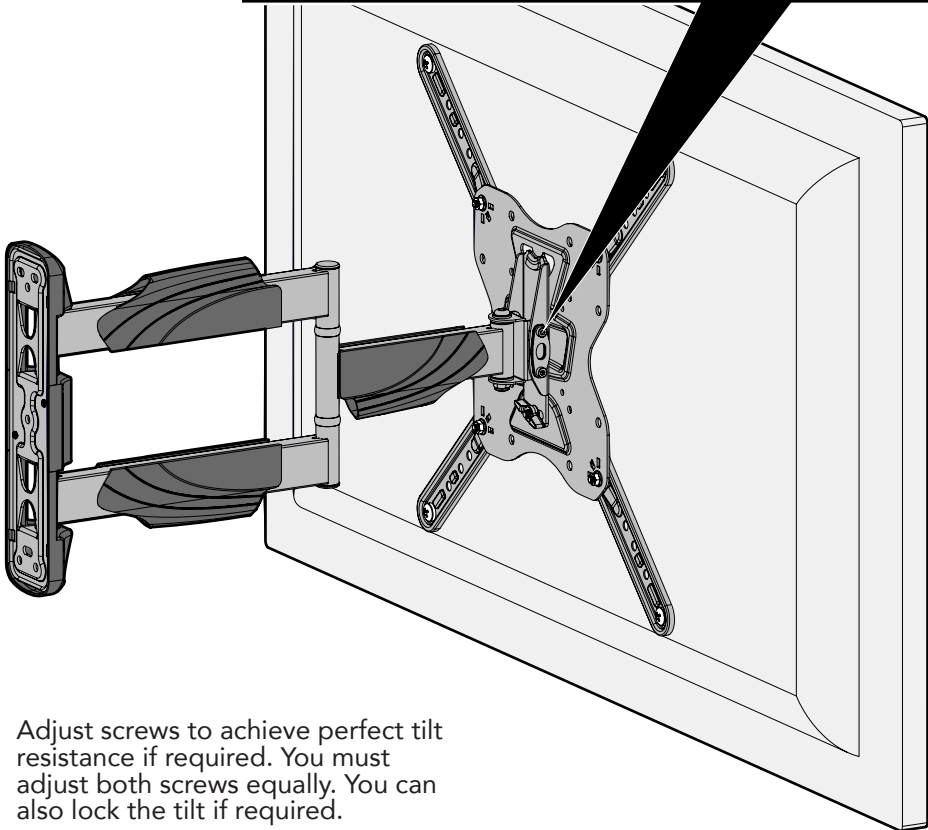
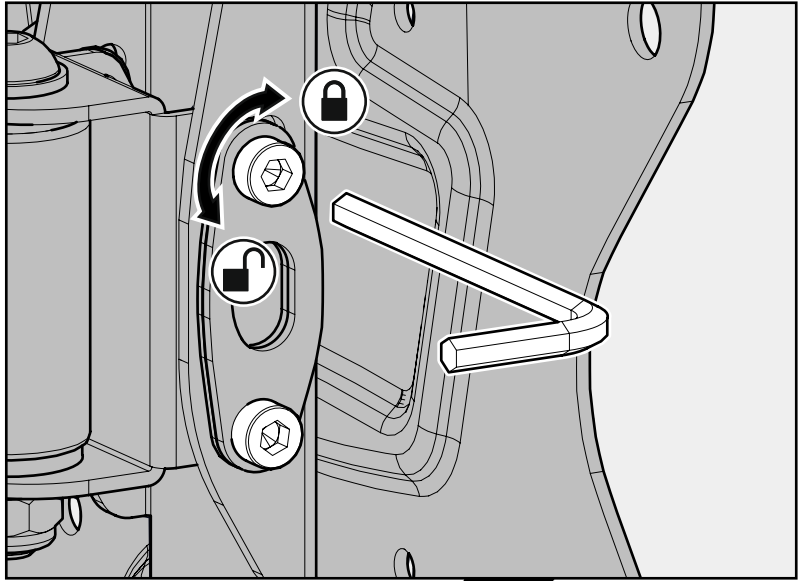
When the TV is level, ensure the thumb nut is fully tightened.



To remove the TV, reverse this procedure.

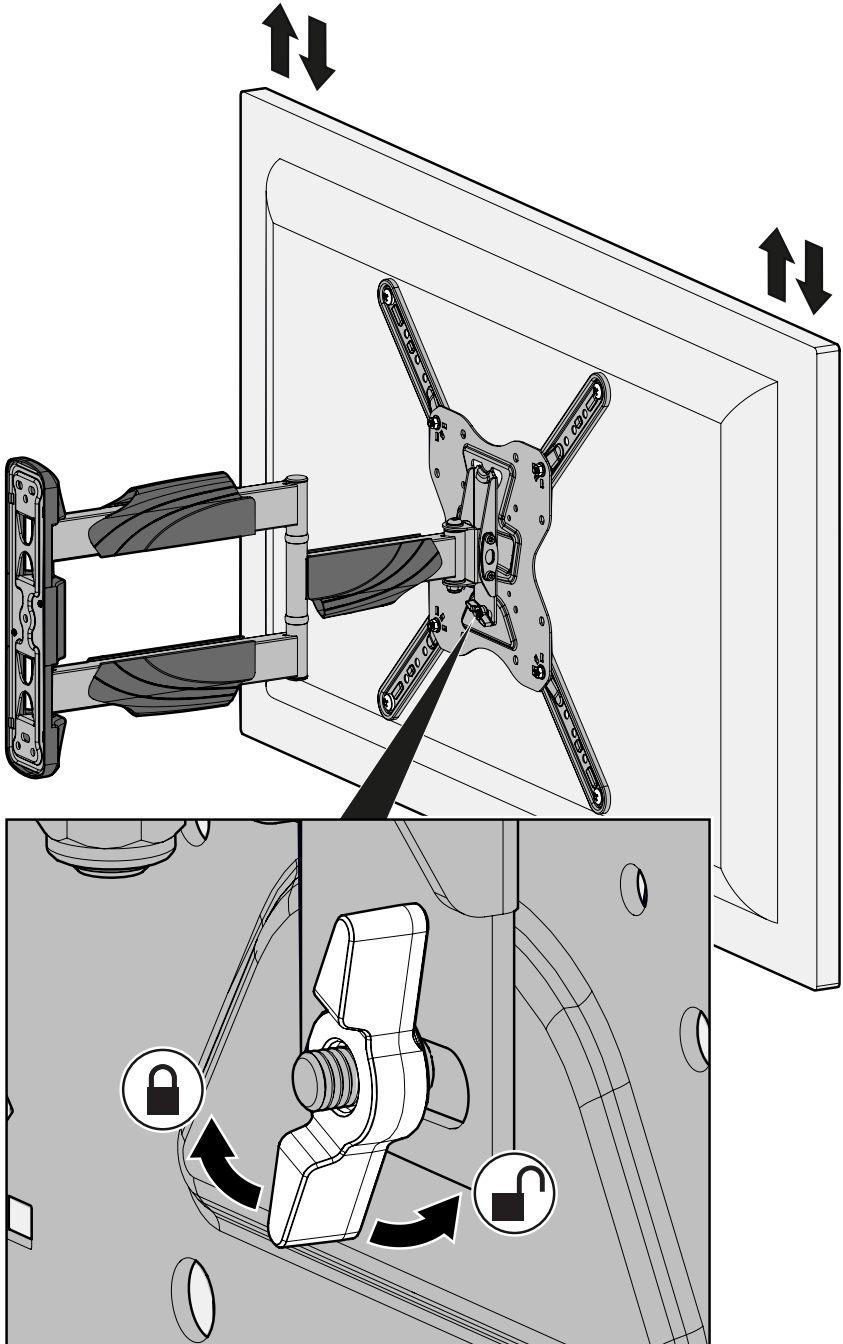


Adjust or Lock Tilt (optional)



Adjust screws to achieve perfect tilt resistance if required. You must adjust both screws equally. You can also lock the tilt if required.

TV Levelling (optional)



Loosen the Level Lock Thumb Nut, adjust your TV until it is level, then re-tighten the thumb nut.

