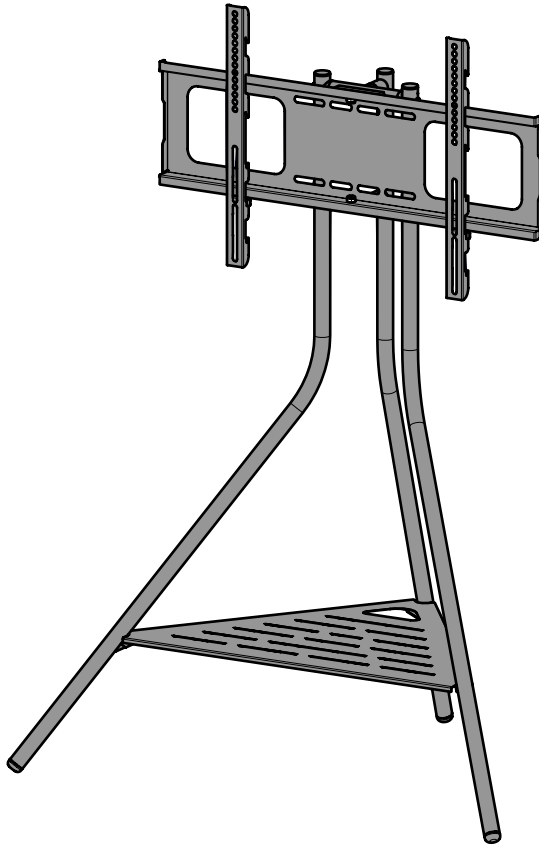


471813 Rev01

Please read these instructions thoroughly before installation.



Please don't return me to the store

If you are unsure or need advice
please contact our **UK-based support team:**



0333 320 0463 | avfgroup.com

Phone lines open Mon-Fri during AVF office hours

IMPORTANT INFORMATION!

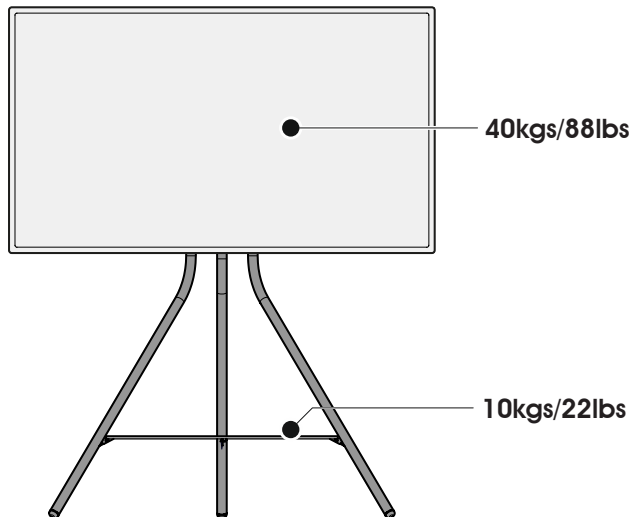
We advise that before starting the assembly of this product that you familiarise yourself with the instructions and the parts list in this leaflet.



Do not overtighten any part of this assembly.

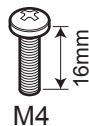
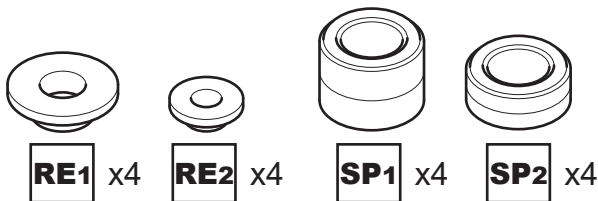
Check all nuts and bolts from time to time.

Maximum TV weight and shelf capacities

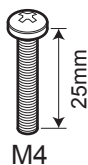


WARNING: Wherever possible distribute weight evenly.

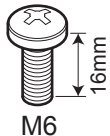
TV Screws, Reducers and Spacers



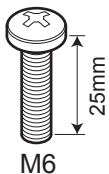
TV1 x4



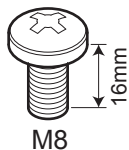
TV2 x4



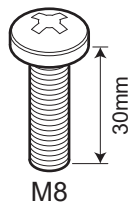
TV3 x4



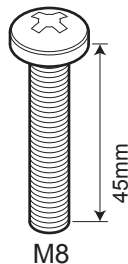
TV4 x4



TV5 x4



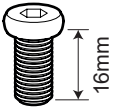
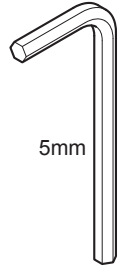
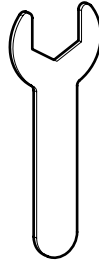
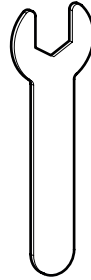
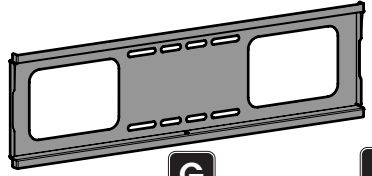
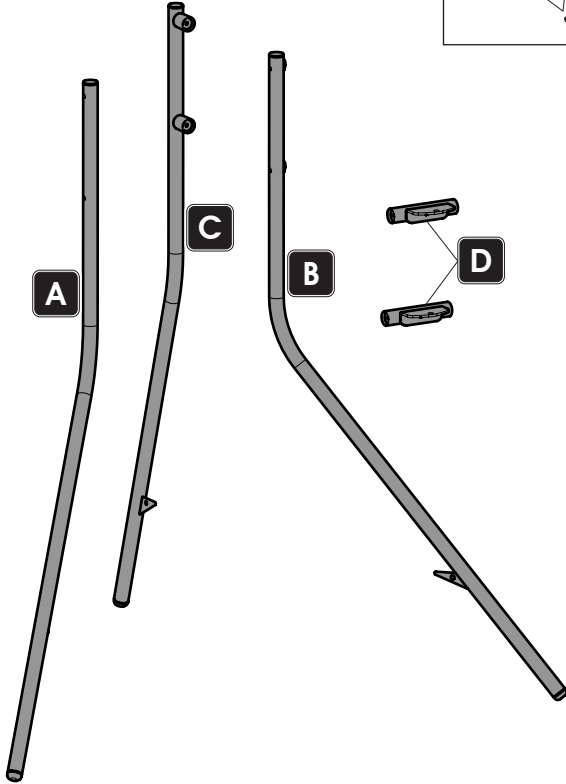
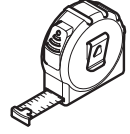
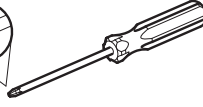
TV6 x4



TV7 x4

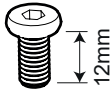
Boxed Parts

Tools Recommended



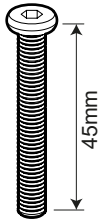
M8

M
X2



M6

O
X3



M6

Q
X6

M6

H

M8

I

5mm

J

4mm

K



M8

L
X2



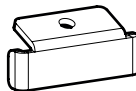
M8

N
X2



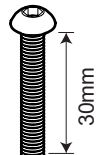
P

X3



R

X2



M5

S
X2



T

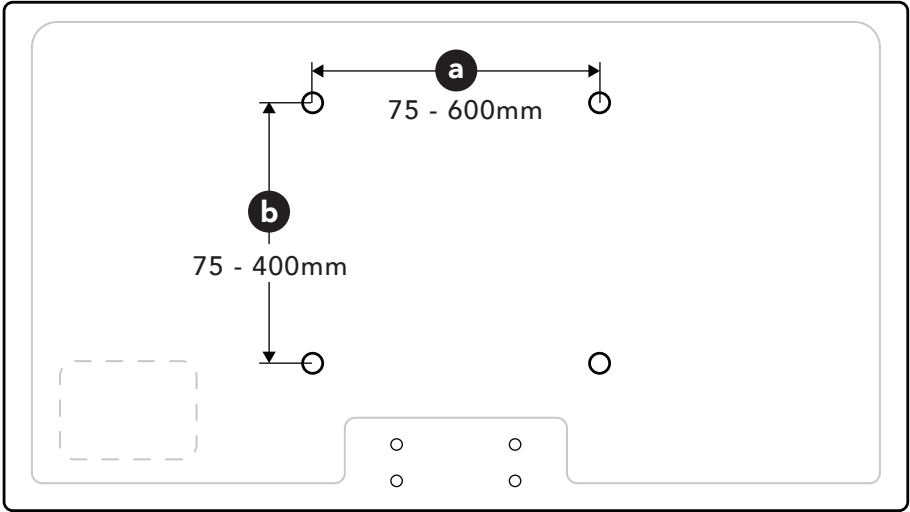
X3



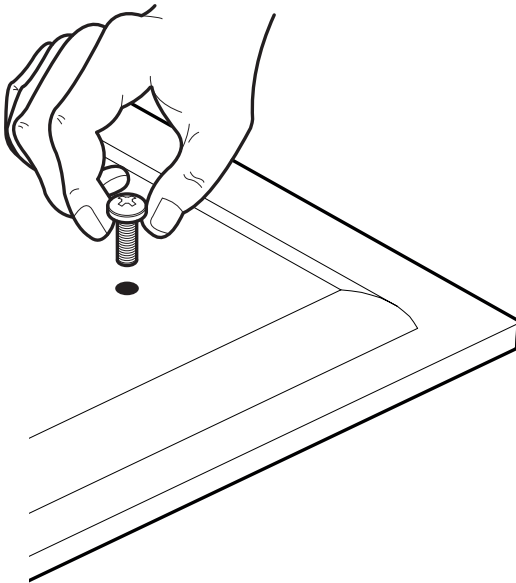
U

X6

Measure the TV fixing holes Width and Height



If width **a** is greater than 600mm or height **b** greater than 400mm
STOP installation now and contact the customer helpline.

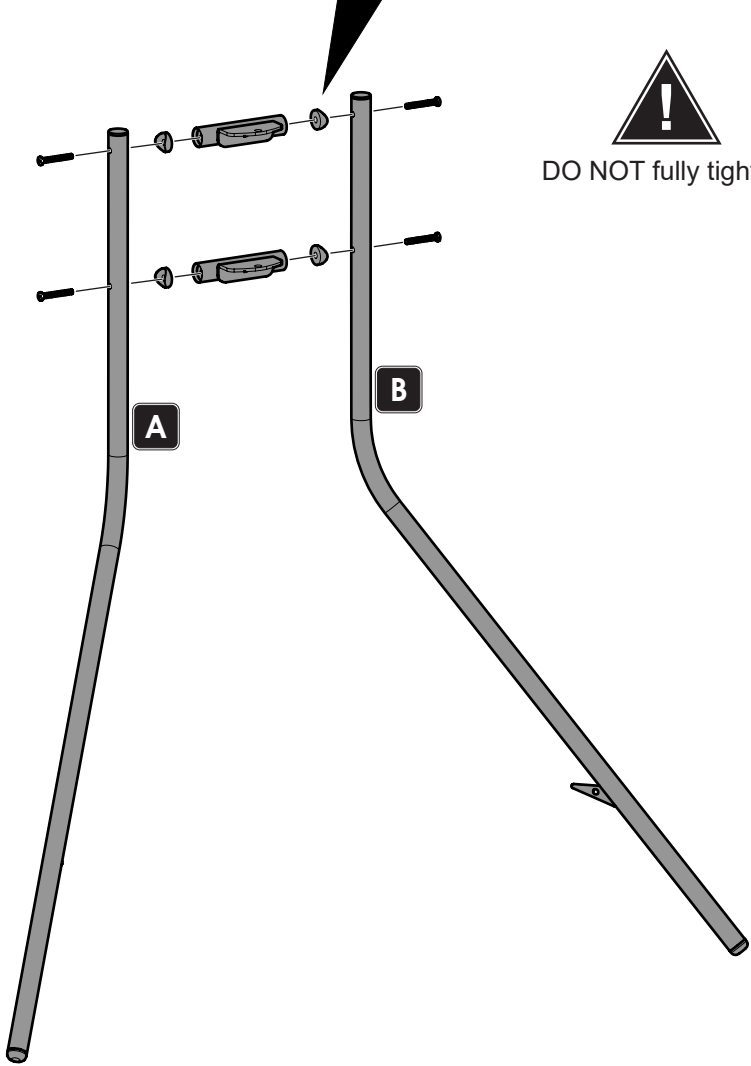
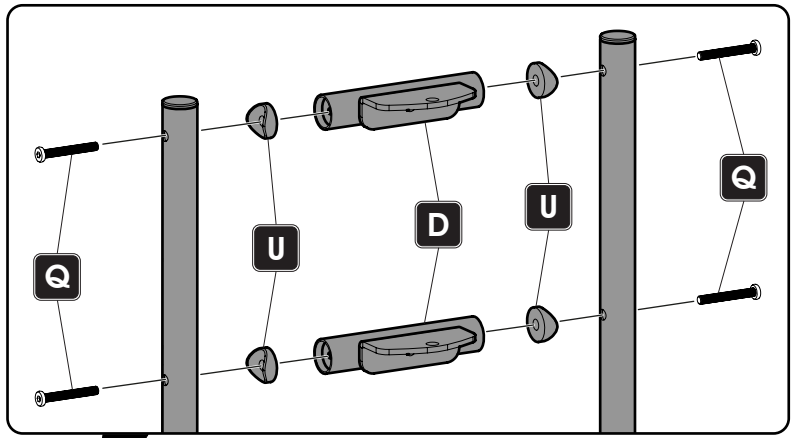


Determine which diameter TV Screws
fit your TV and put them to one side.

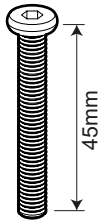
M4, M6 or M8

We will select the correct length later.

1



DO NOT fully tighten

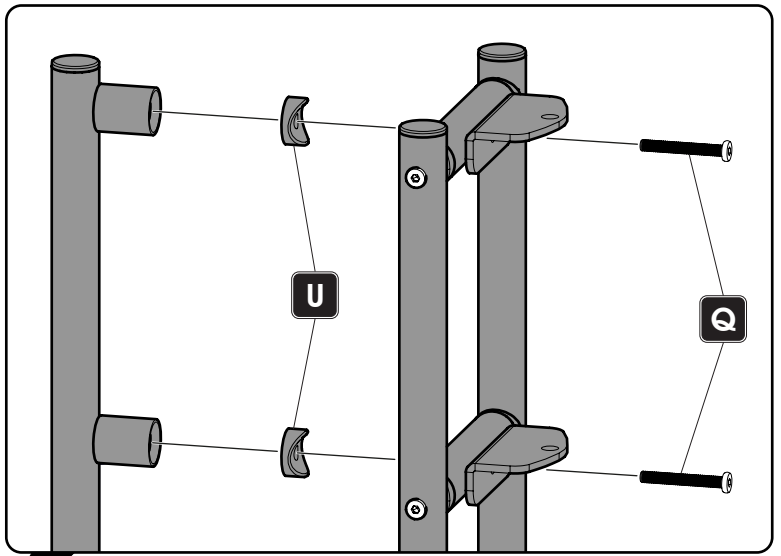


Q
X4

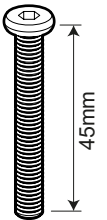
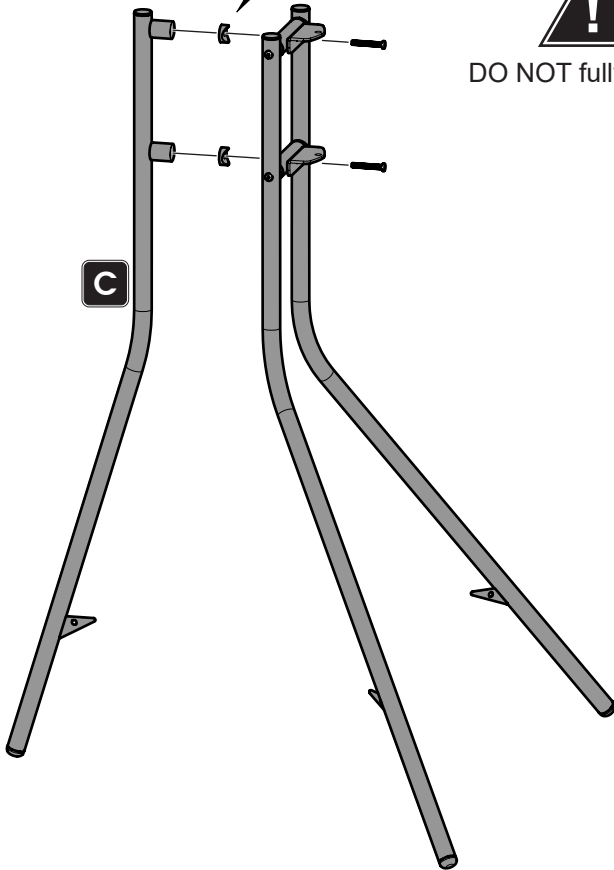


U
X4

2



DO NOT fully tighten



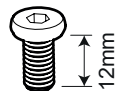
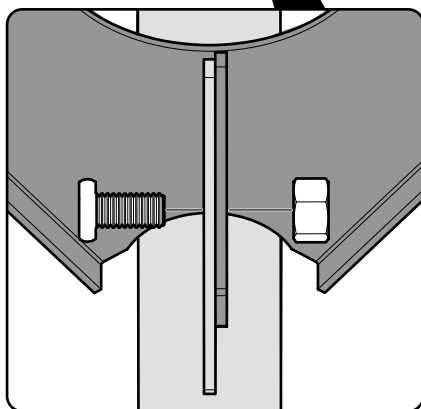
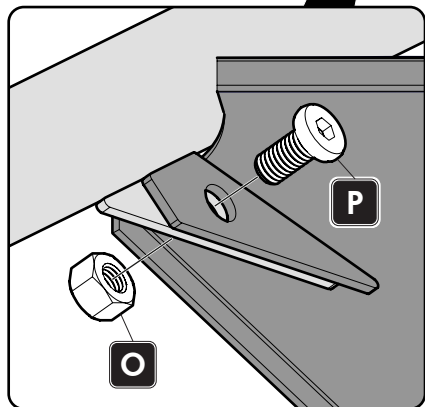
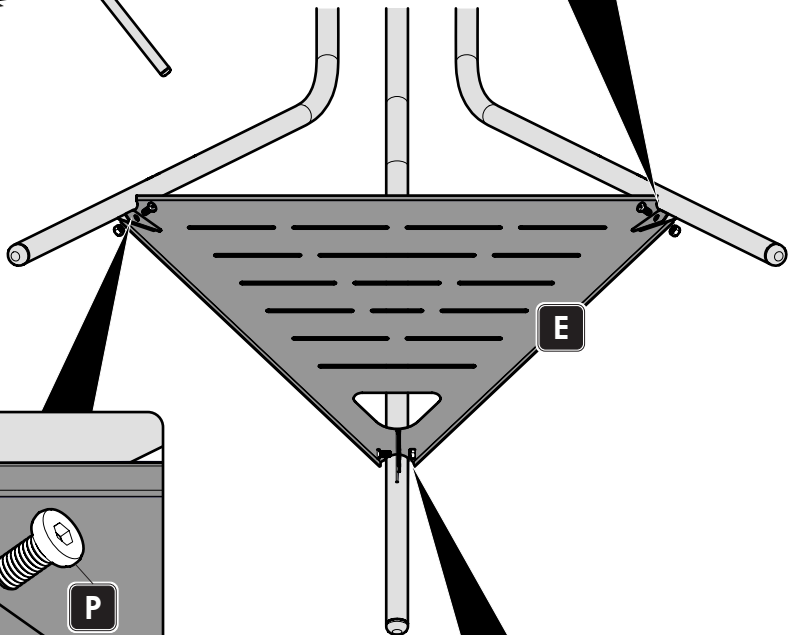
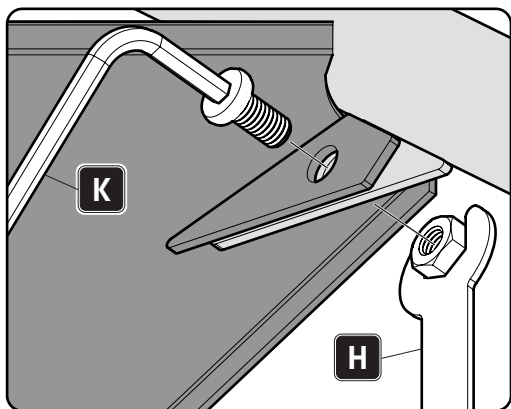
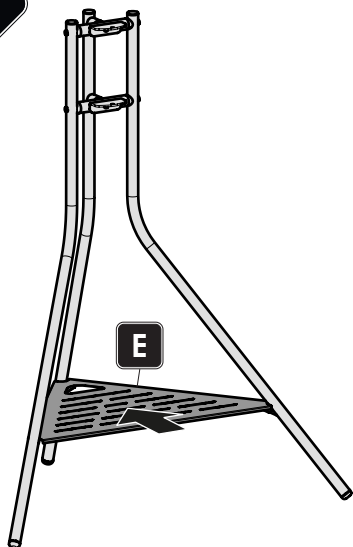
M6

Q
X4



U
X4

3



M6

12mm

O

X3

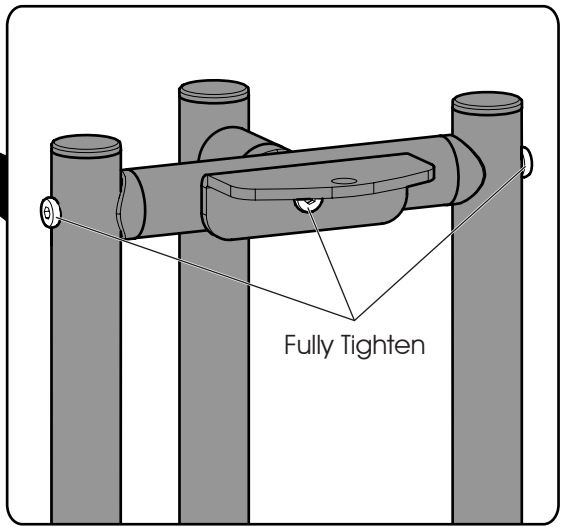
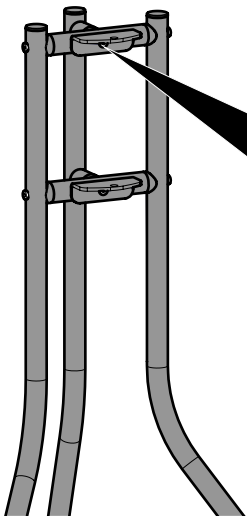


P

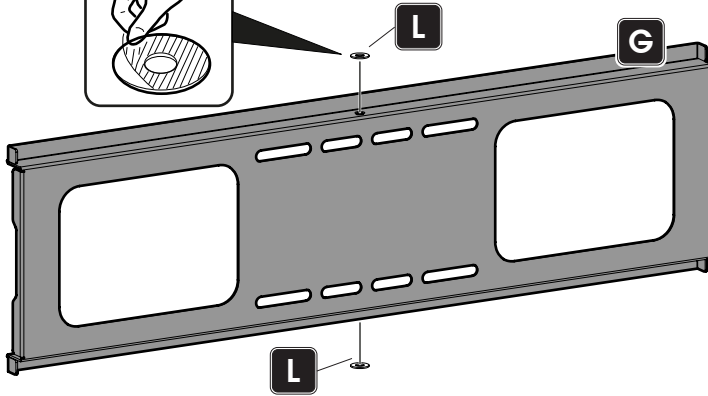
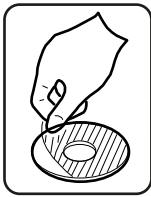
X3

4

i

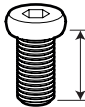


ii



M8

L
X2



M8

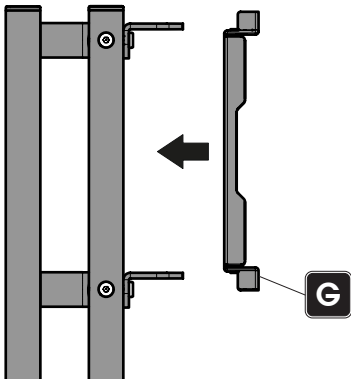
M
X2



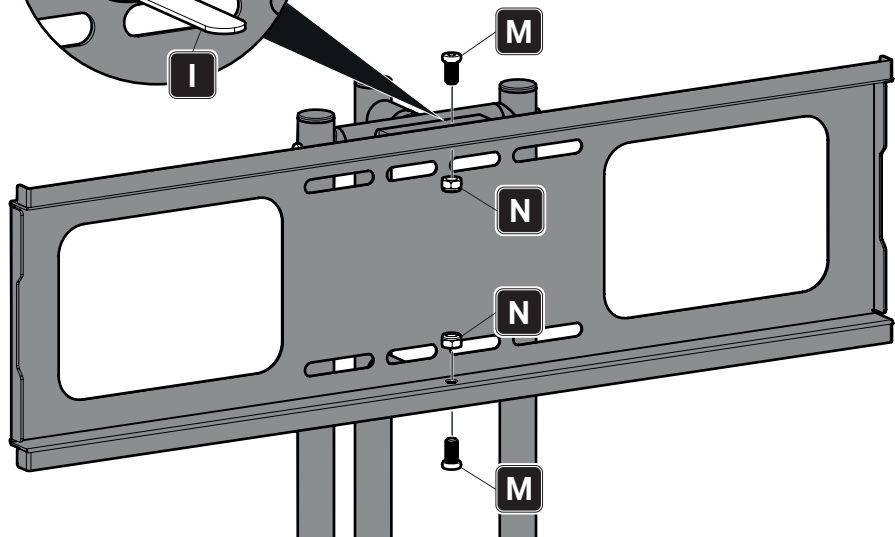
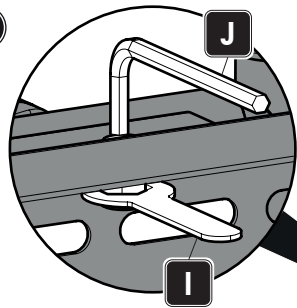
M8

N
X2

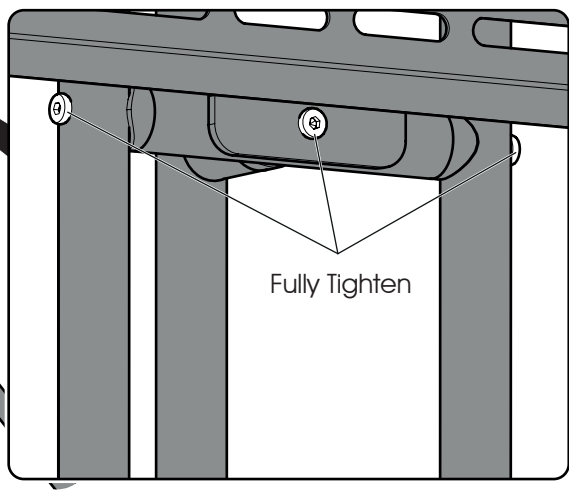
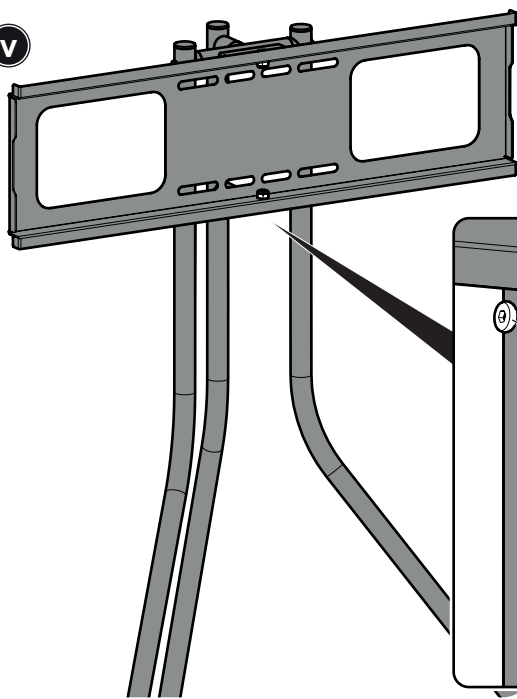
iii

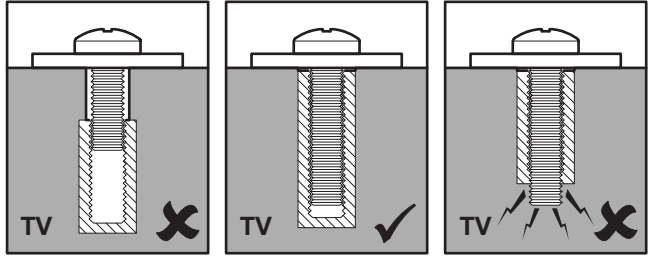


iv

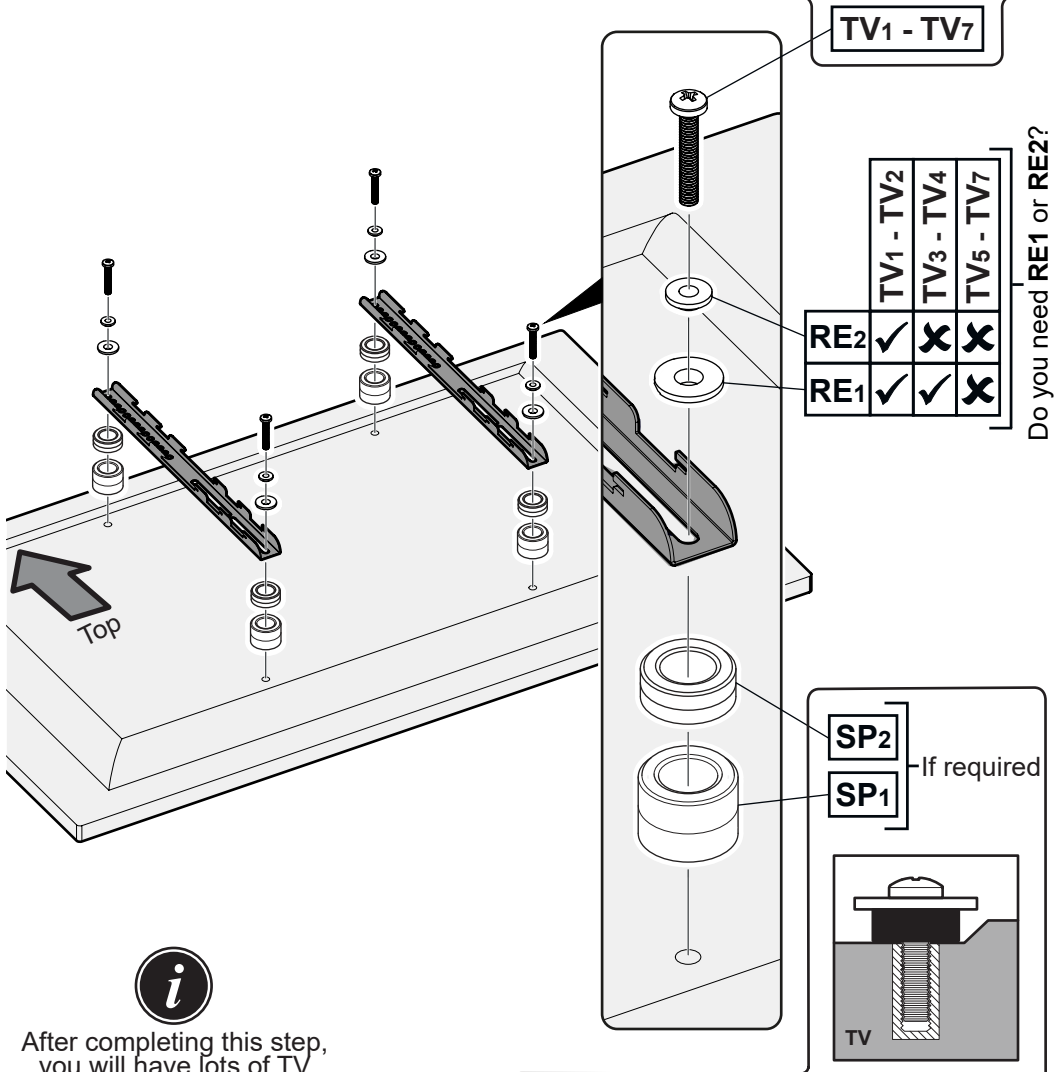


v





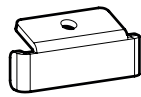
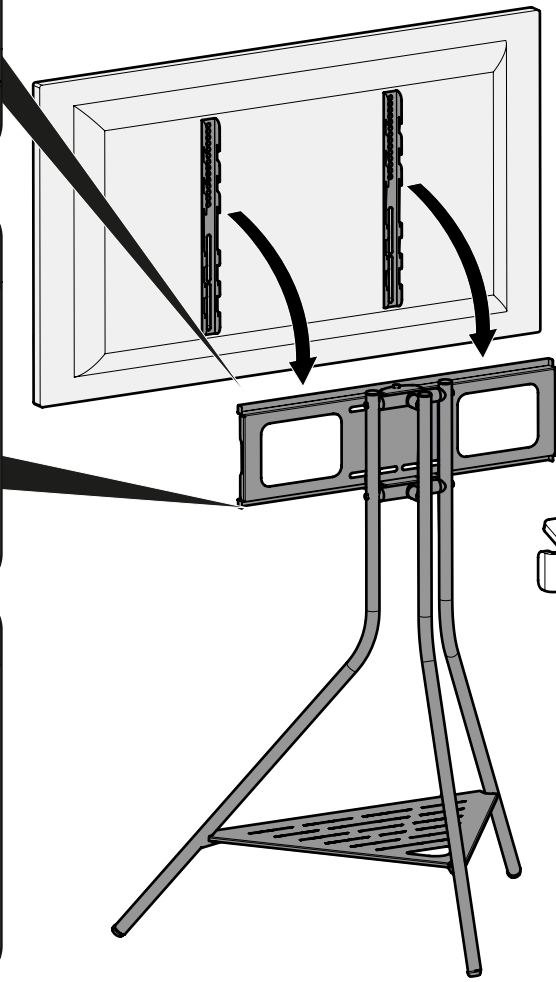
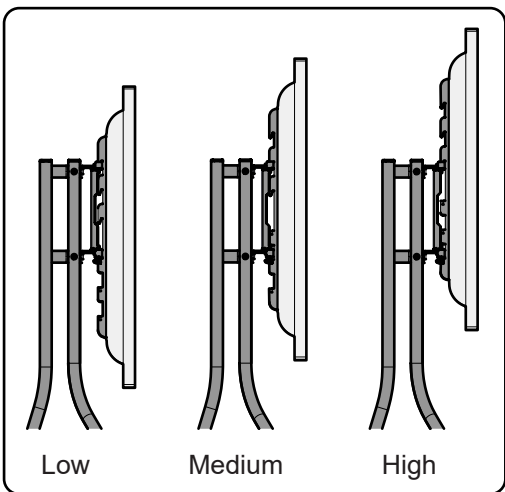
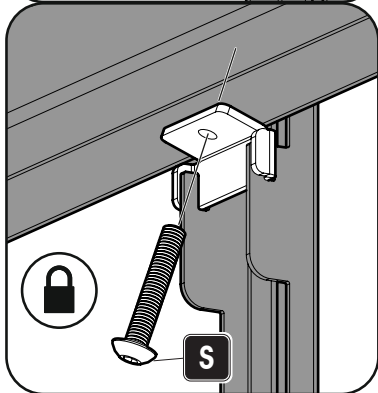
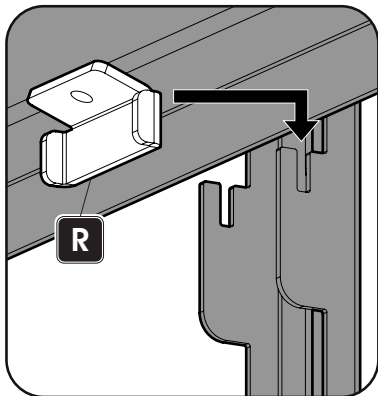
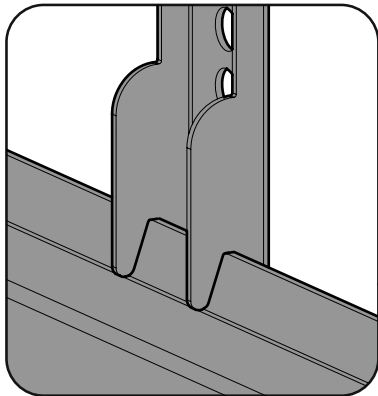
Select the correct length TV screw.



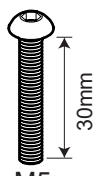
After completing this step, you will have lots of TV screws left over. Keep them in a safe place in case you require them in future.

You may need to use Spacers SP1 or SP2 if the screws are too long or the back of your TV is not flat.

6

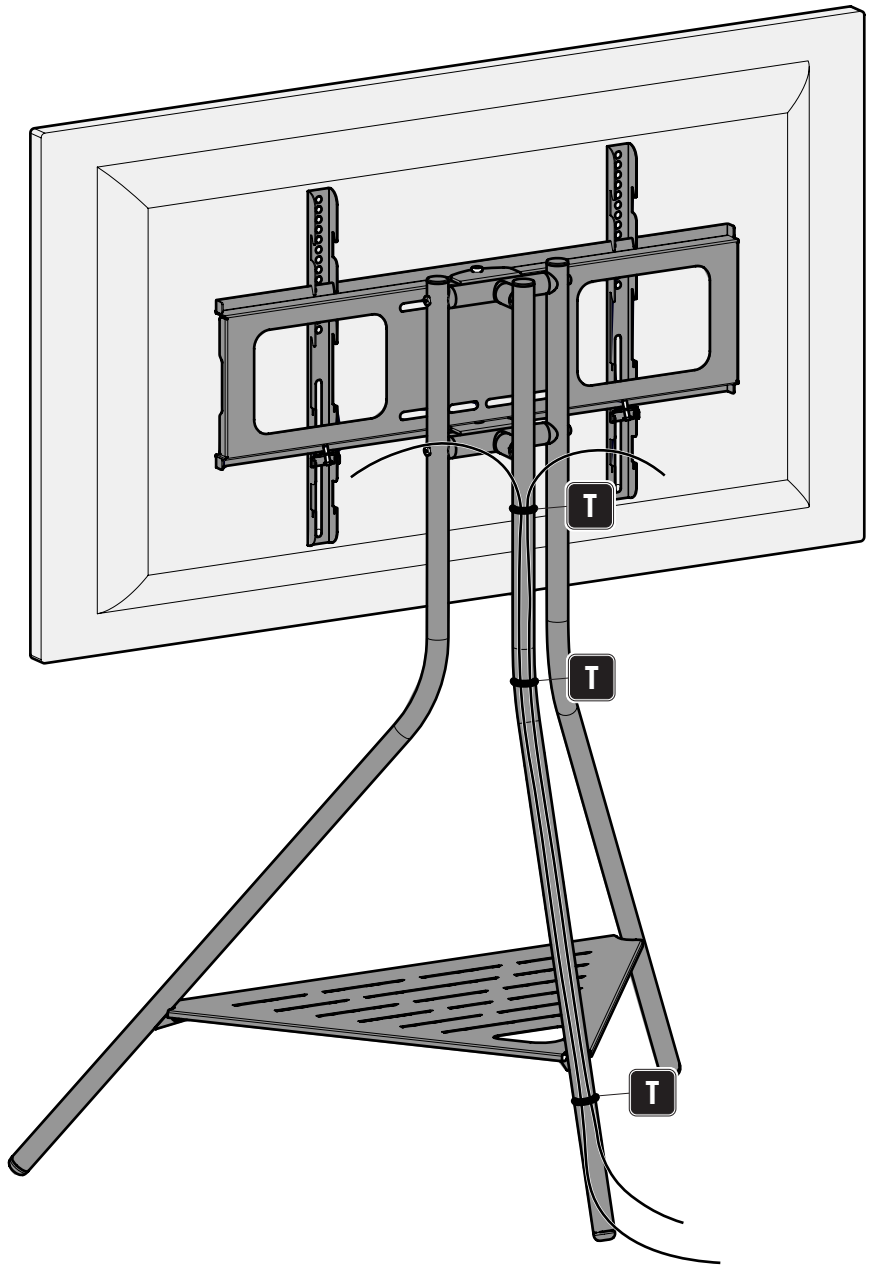


R
X2



M5
S
X2

7



T
X3