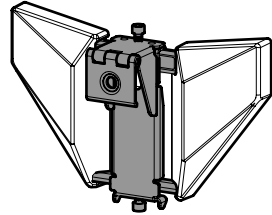
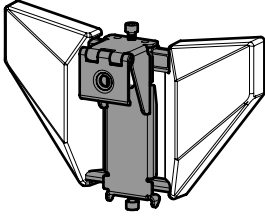


**471749 Rev02**

**Please read these instructions thoroughly before installation.**



If you have any questions or need spare parts don't worry, we're happy to help.

**Customer Helpline**

**0333 320 0463**

**Helpline Open** Mon to Thurs 9am - 5pm, Fri 9am - 4pm

**Online Support**

**[www.avfgroup.com/support](http://www.avfgroup.com/support)**

**AVF Group Ltd.** Hortonwood 30, Telford, Shropshire, TF1 7YE, England

# WARRANTY INFORMATION

## LIFETIME WARRANTY

AVF warrants that the product is free from defects in material and workmanship, as long as the product is owned by the original consumer purchaser. If, during the stated warranty of this product, it proves to be defective, AVF will remedy the defect by either repairing or replacing the defective part or, replacing the entire product. Proof of original purchase is required and should be retained.

AVF reserve the right to substitute replacement products to others of similar value and design (Usually in the event of discontinued product models).

AVF accept no responsibility for failures / loss which result from misuse, negligence, accident, improper assembly or installation or other causes beyond AVF's reasonable control and also excludes and will not pay any incidental and consequential damages.



**PLEASE REVIEW ALL NOTES AND PRODUCT INSTRUCTIONS BEFORE COMMENCING THE INSTALLATION.**

**INSTALLATION:** This product is sold as a home DIY product and as such, it is the responsibility of the installer to ensure that the product is correctly installed. AVF accept no responsibility if the product is incorrectly installed.

This product is intended for indoor use only. Use of this product outdoors could lead to failure and personal injury.

**IF YOU ARE IN ANY DOUBT, CONSULT A QUALIFIED CONTRACTOR.**

### NOTES

**WALLS:** It is the responsibility of the installer to ensure that the wall is of a suitable standard and void of any services (eg gas, electricity, water etc). AVF accept no responsibility for any damage or loss caused by installing this product in a sub standard wall.

**WALL FIXINGS:** Wall fixings are supplied for wood, brick, solid masonry and also, for some specific products, fixings are supplied for fixing to plasterboard.

### DO

- Retain all packaging in case the bracket needs to be returned.
- When fastening to wood studs, be sure to pre-drill holes into the wood stud.
- When fastening to brick or solid masonry, drill the holes in accordance with the instructions. Always remove drill dust from the hole before inserting the wall plug.
- Wall plug body must be fully inserted into the wall (ie fully into the brick).
- Lubricate the wall screws with soap to ease installation.
- Check the strength of the installation before fitting the TV.
- Periodically check strength of installation, signs of corrosion, damage or loose components.

### DON'T

- Do not set in mortar joints.
- Do not over tighten screws.

### TV HANGING

Must be carried out using the manufacturers threaded holes intended for this purpose. All variables of TV hanging screws are supplied within the product box (Because of the universal nature of this product, expect to have excess parts left over following your installation).

It is the responsibility of the installer to ensure the correct TV hanging screws are selected. If in doubt consult the TV manufacturer. AVF accept no responsibility for any damage caused by the use of the incorrect TV hanging screw or the use of incorrect fixing holes.

# Index

**1** Measure the TV fixing holes Width and Height

**2** Marking Wall for Drill Points

**3** Fitting the Wall Brackets

**4** Fitting the Wall Bracket Covers

**5** Levelling the Screen Hangers

**6** Fit Screen Hangers to TV

**7** Hanging the TV

Retain all packaging in case the product needs to be returned.

Contents may vary from photography / illustrations.

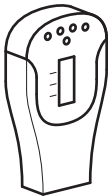
You will not need all these parts, so expect there to be some left over depending upon the specification of your TV.

This product is intended for indoor use only. Use of this product outdoors could lead to failure and personal injury.

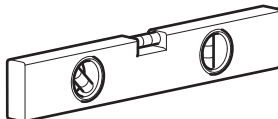
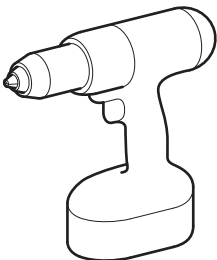
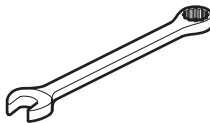
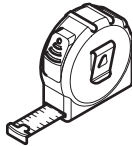
It is the responsibility of the installer to ensure that the mounting wall is of a suitable standard and void of any services (eg gas, electricity, water etc).

AVF accept no responsibility for any damage or loss caused by installing this product in a substandard wall.

## Tools Recommended



Stud Finder



Drill bits required will depend on wall type.



Ø5.5mm (7/32") Masonry



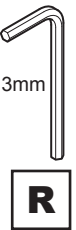
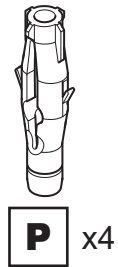
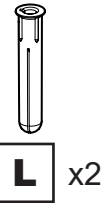
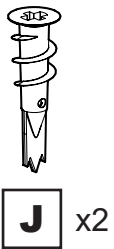
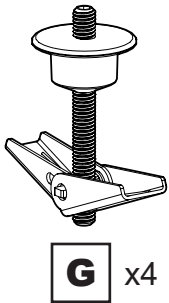
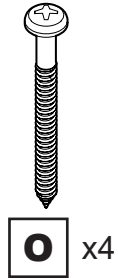
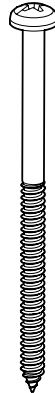
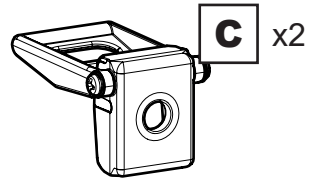
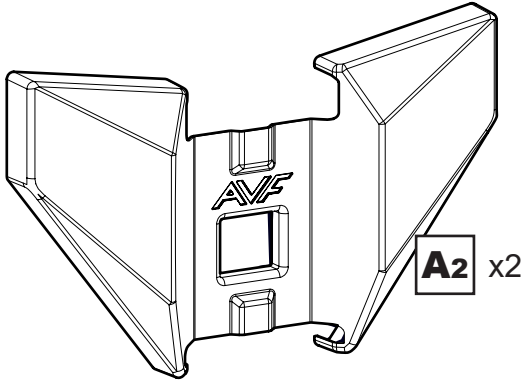
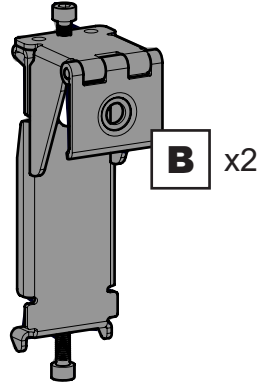
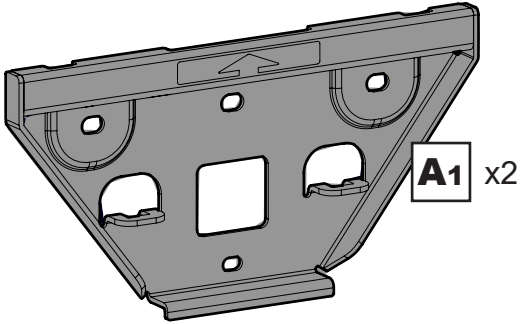
Ø10mm (25/64") Masonry

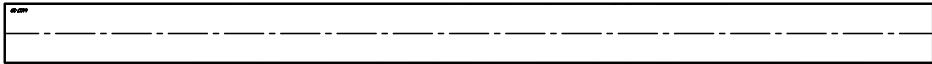
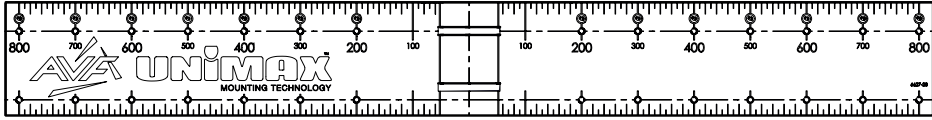


Ø3mm (1/8") Wood



# Boxed Parts



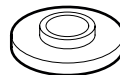
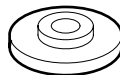
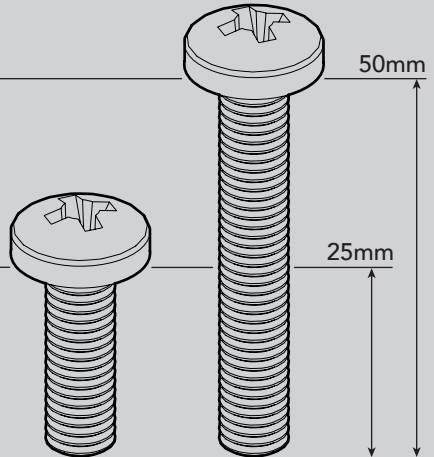
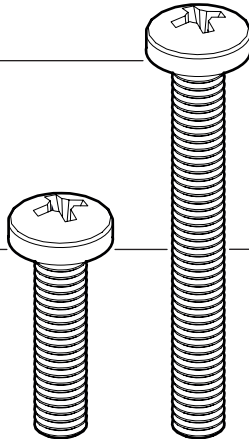
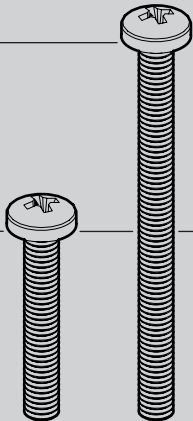


## TV Screws, Reducers and Spacers

**M4**

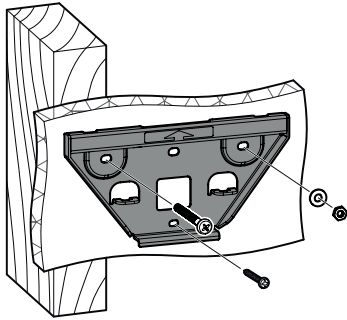
**M6**

**M8**



# Assembly Overview

## Fitting the Wall Bracket



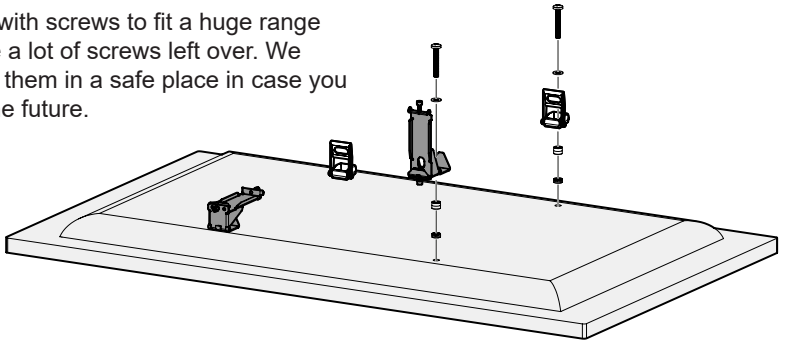
This product is suitable for attaching to plasterboard, wood stud, brick, dot and dab, concrete, or any combination of these wall types. Establish which wall type you are mounting to and follow the corresponding steps.

This product comes with fixings for all the wall types mentioned above. You will have lots of wall fixings left over. We recommend keeping them in a safe place in case you want to move your TV to a different wall type in future.

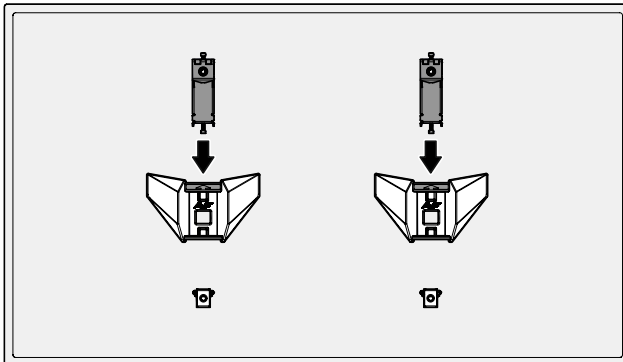
## Fit Screen Hangers to TV



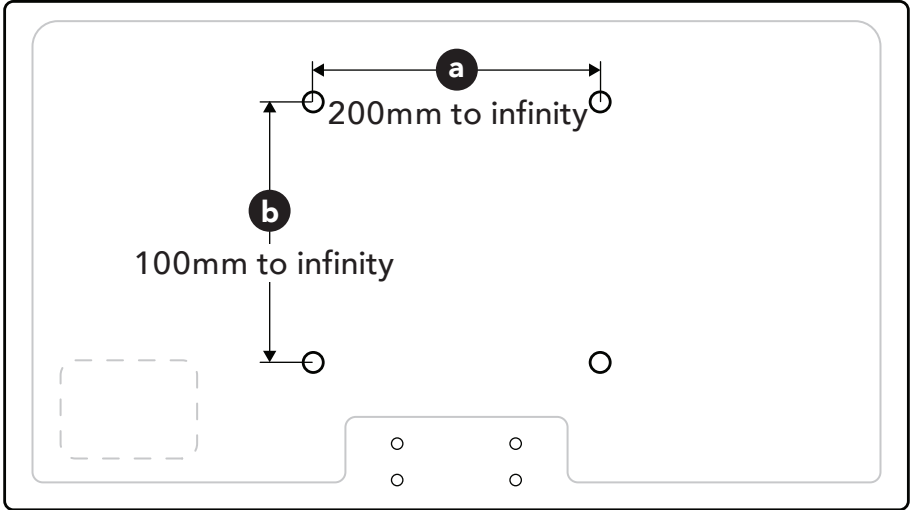
This product comes with screws to fit a huge range of TVs. You will have a lot of screws left over. We recommend keeping them in a safe place in case you change your TV in the future.



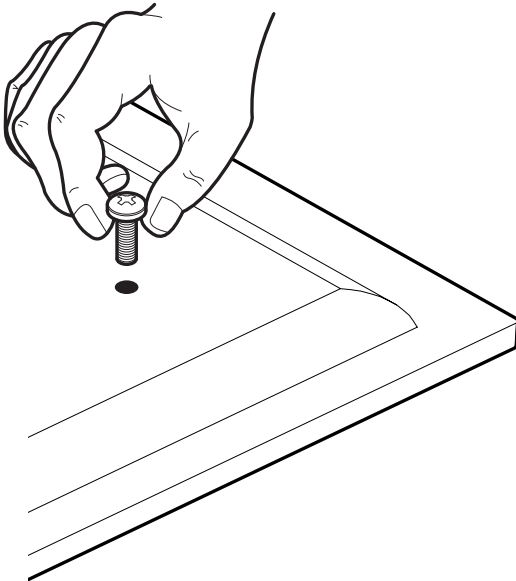
## Hanging the TV



# 1 Measure the TV fixing holes Width and Height



If width **a** is less than 200mm or height **b** less than 100mm  
STOP installation now and contact the customer helpline.



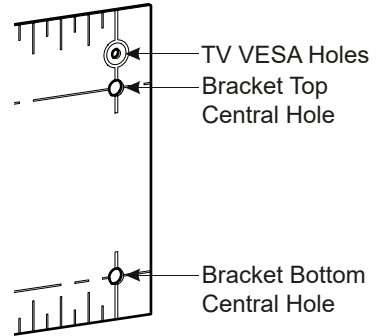
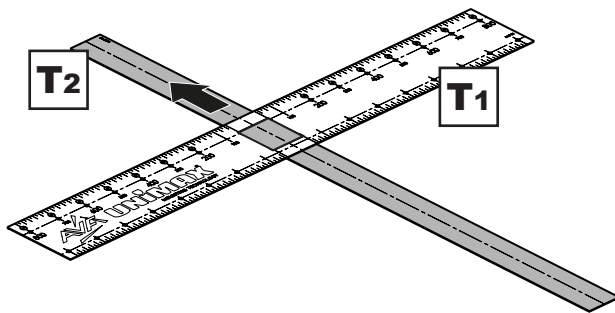
Determine which diameter TV Screws  
fit your TV and put them to one side.

**M4, M6 or M8**

We will select the correct length later.

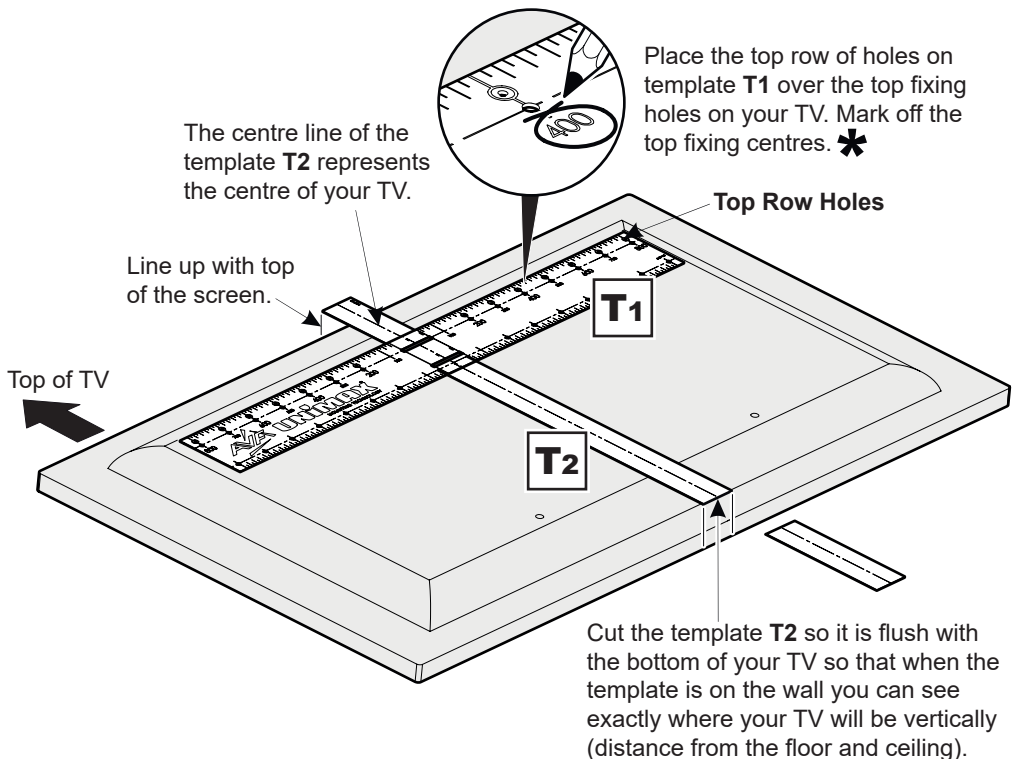
## 2 Marking Wall for Drill Points

### i Assemble the Positioning Template.



### ii Determine Bracket Holes Centres.

Lay the template on the back of the TV and follow the instructions below.



\* If the top fixing holes on your TV do not line up with any holes on the template then ensure template is firmly in position and carefully punch holes to match your top fixing centres with a pencil or sharp object. Remove the template from the TV and carefully punch holes for top and bottom wall bracket centre holes to match your TV fixing holes.



iii

### Marking the Wall.

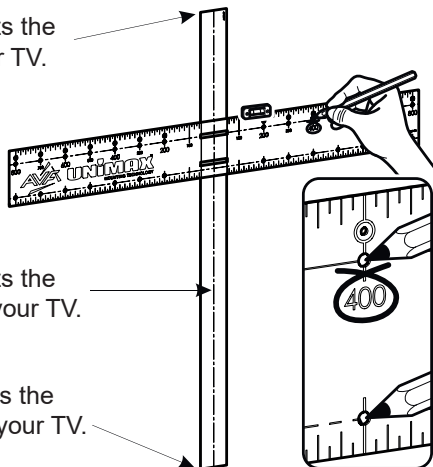
i

Before marking the wall, determine the wall type that you have (i.e. Solid Wall/ Dot & Dab/Plasterboard/Wood Stud/Metal Stud). Ensure the drilling area is free from mains services (Gas/Electric/Water).

Represents the top of your TV.

Represents the centre of your TV.

Represents the bottom of your TV.



Use your template to mark two points on the wall that correspond with the top and bottom central holes on your wall bracket.

Next, use the Wall Brackets **A1** as a template and position them over the appropriate **PENCIL MARKS** you have made, so that the marks are in the middle of the **TOP AND BOTTOM CENTRAL HOLES** of the Wall Bracket. Ensure the bracket is level and mark the three **DRILL POINTS** with a pencil. Repeat for other bracket.

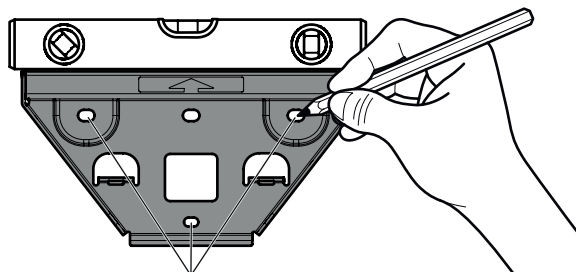
Top Central Hole

Pencil Mark

**A1**

Bottom Central Hole

Pencil Mark



Drill Points

i

Before you drill make sure you are happy with the position and ensure all markings are correct and level.

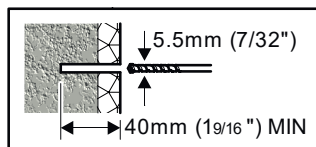
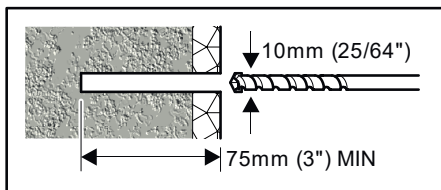
### 3 Fitting the Wall Brackets



This product is designed to be fitted to many different types of wall. Identify your wall type and follow the relevant instruction. Make sure you use the correct fixings for your wall.

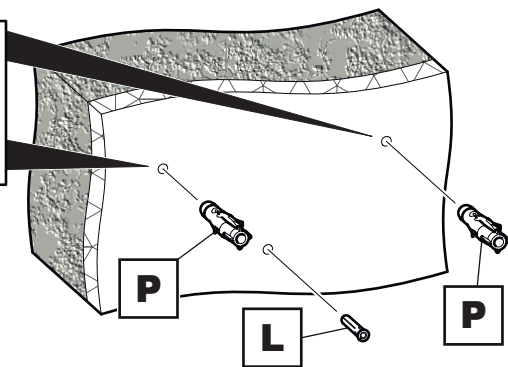
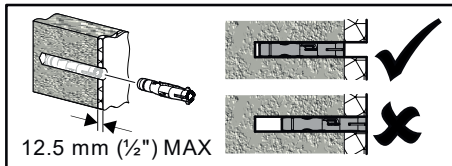
## Solid Wall

i



Remove Dust from Holes.

ii



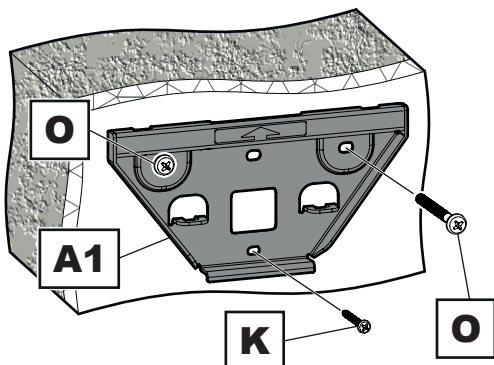
iii



Lubricate screw thread with soap.

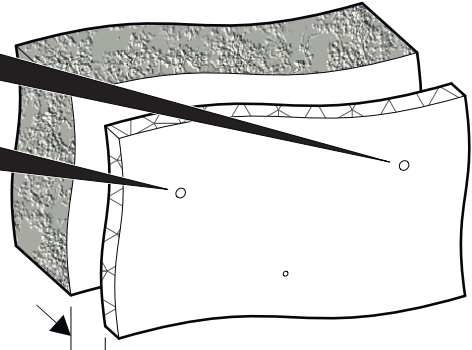
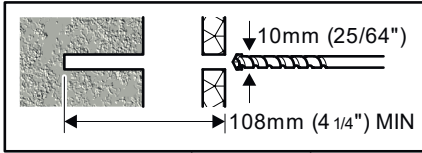


DO NOT overtighten screws.  
Tighten screws by hand only



# Dot and Dab

i



Remove Dust from Holes.

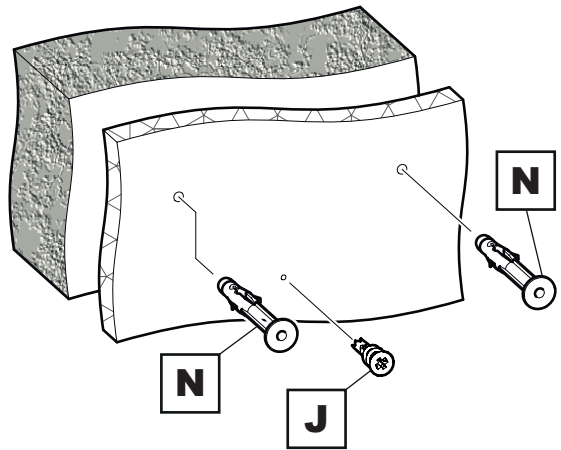
\* 40mm (1 9/16")  
MAX gap.

\* If gap is above 40mm (1 9/16") use  
plasterboard fixing method.

ii



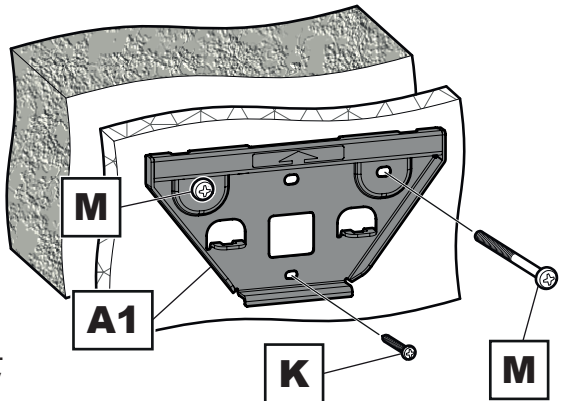
If you have trouble fitting **J**  
you can drill a 3mm pilot hole.



iii

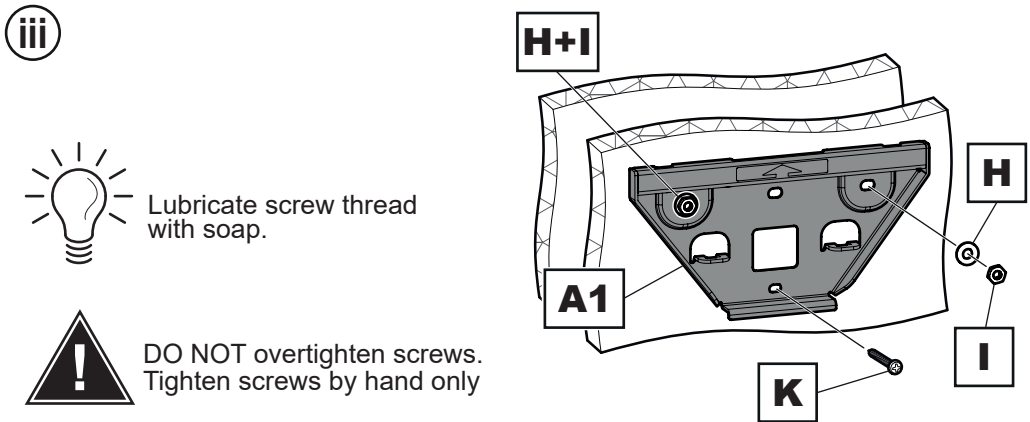
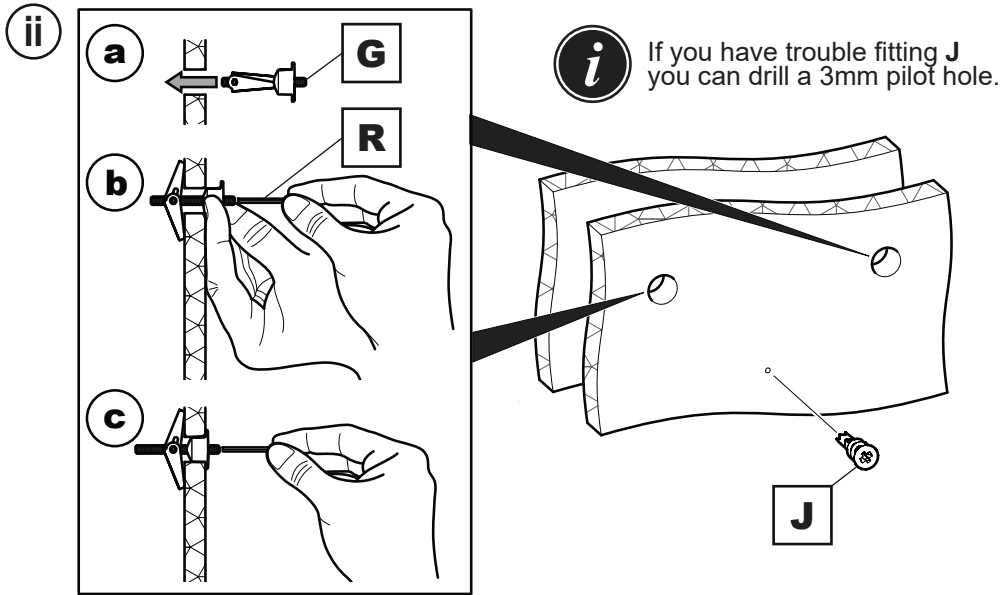
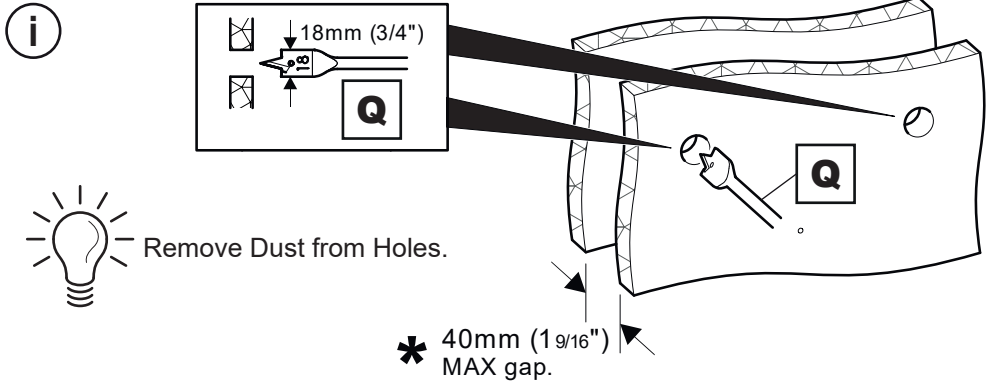


Lubricate screw thread  
with soap.



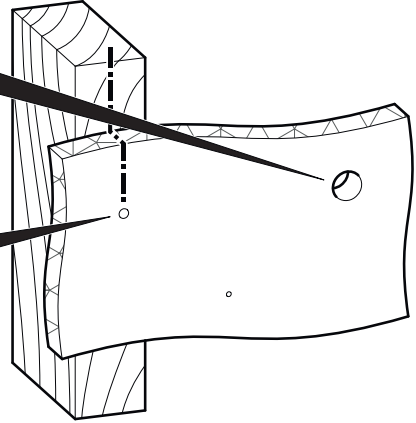
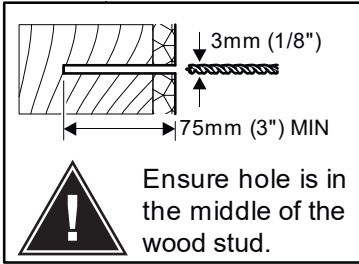
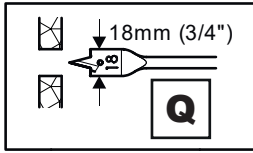
DO NOT overtighten screws.  
Tighten screws by hand only

# Plasterboard



# Wood Stud

i



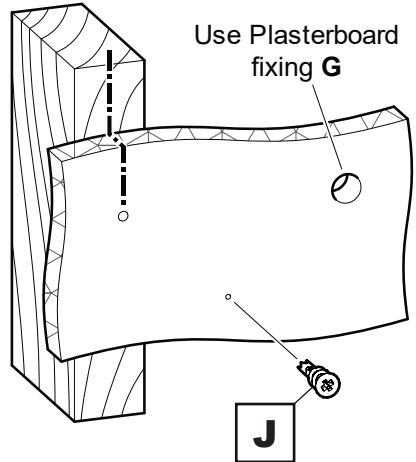
ii



Only one fixing will be in the wood stud. The other fixings will be in plasterboard (see Plasterboard installation instruction).



If you have trouble fitting **J** you can drill a 3mm pilot hole.



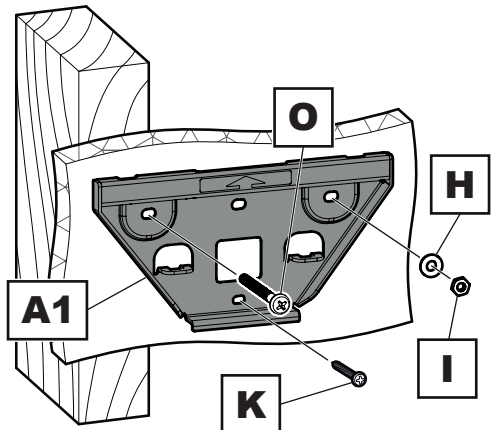
iii



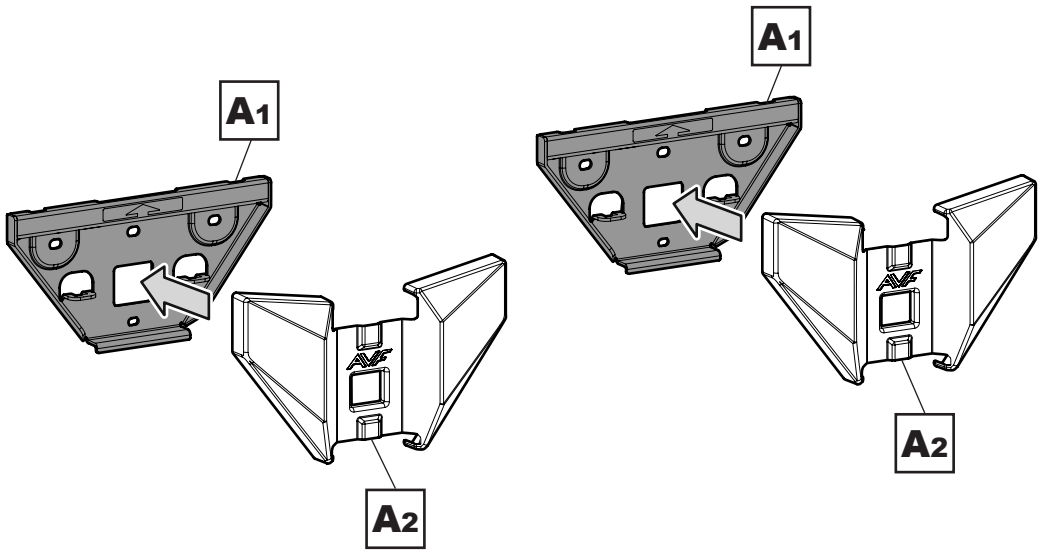
Lubricate screw thread with soap.



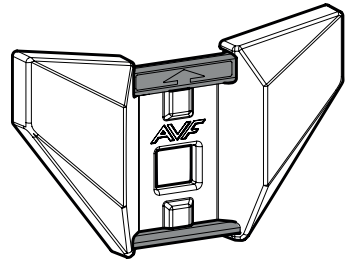
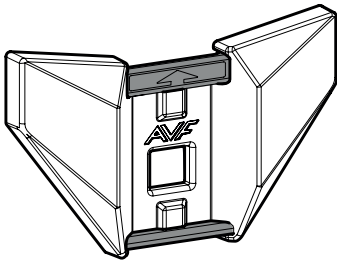
DO NOT overtighten screws. Tighten screws by hand only



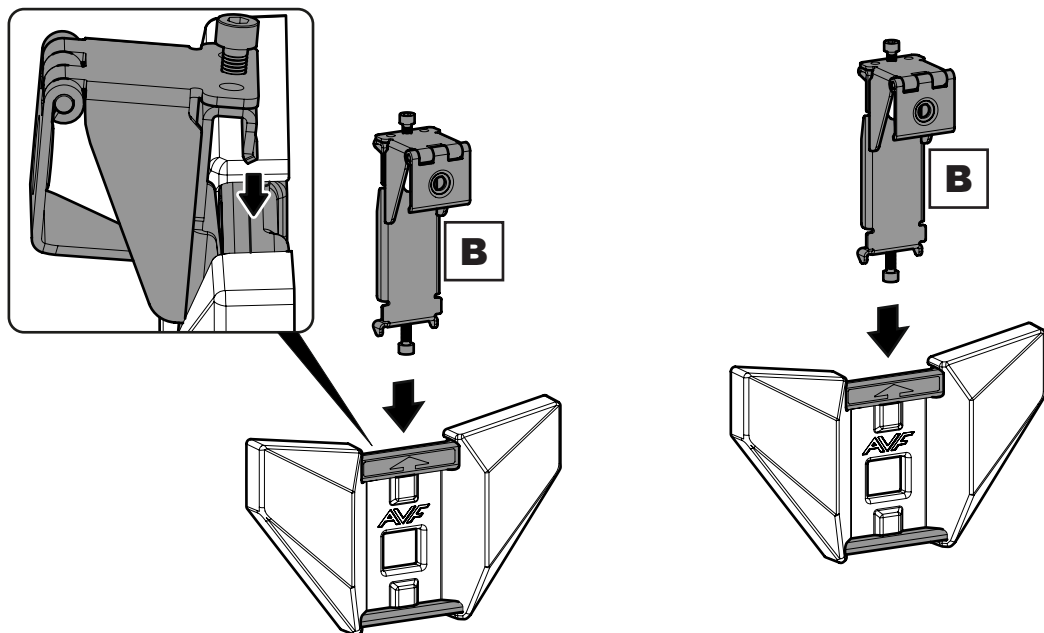
## 4 Fitting the Wall Bracket Covers



Fit the wall bracket covers by pushing covers **A2** on to the wall brackets **A1** until they click in to place.



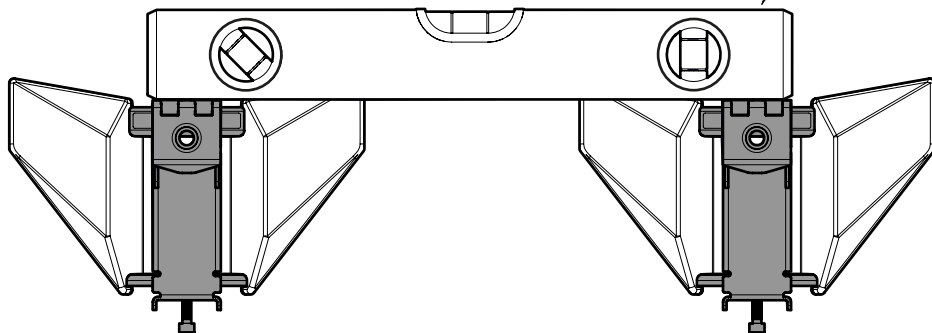
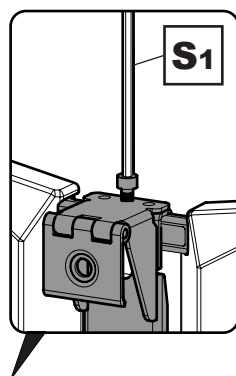
## 5 Levelling the Screen Hangers



Slide hangers **B** in to position on each wall bracket.

Use a spirit level across the tops of the hangers to check they are level. If the spirit level isn't long enough, place a flat piece of wood across the tops of the hangers first.

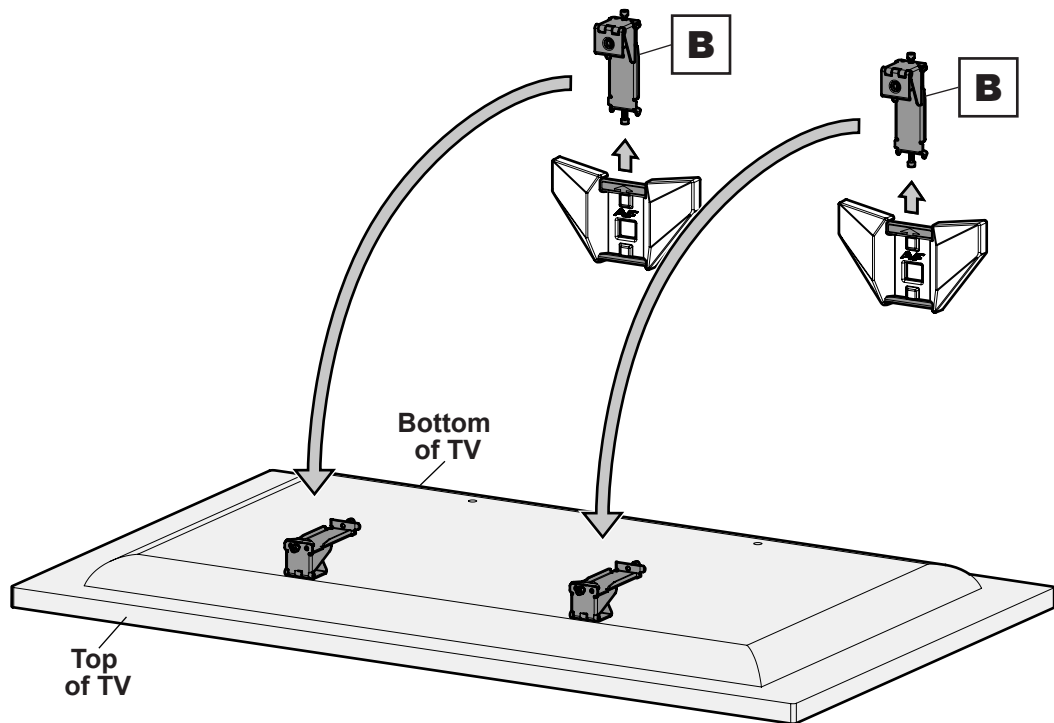
If the hangers aren't level, tighten the levelling screw on the lower hanger until they are.



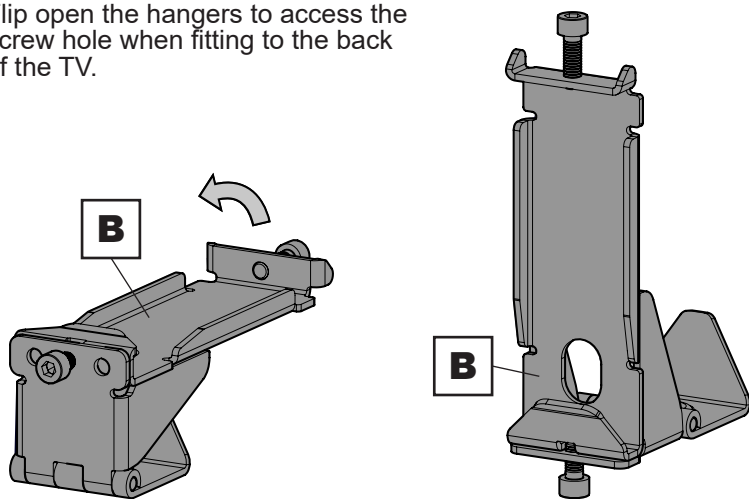
## 6 Fit Screen Hangers to TV



Make sure you connect the Screen Hangers in the correct position after you have levelled them. This will ensure the TV is level when you hang it on the wall.



Flip open the hangers to access the screw hole when fitting to the back of the TV.



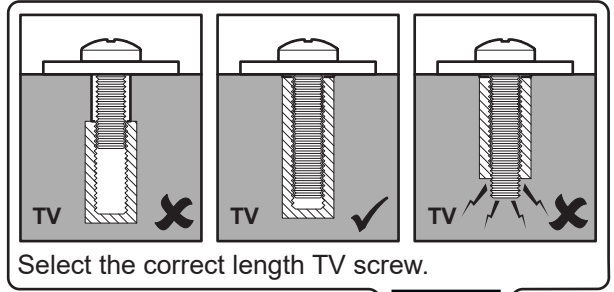




After completing this step, you will have lots of TV screws left over. Keep them in a safe place in case you require them in future.



Use the same combination of screws, washers and spacers in all four TV fixing holes.

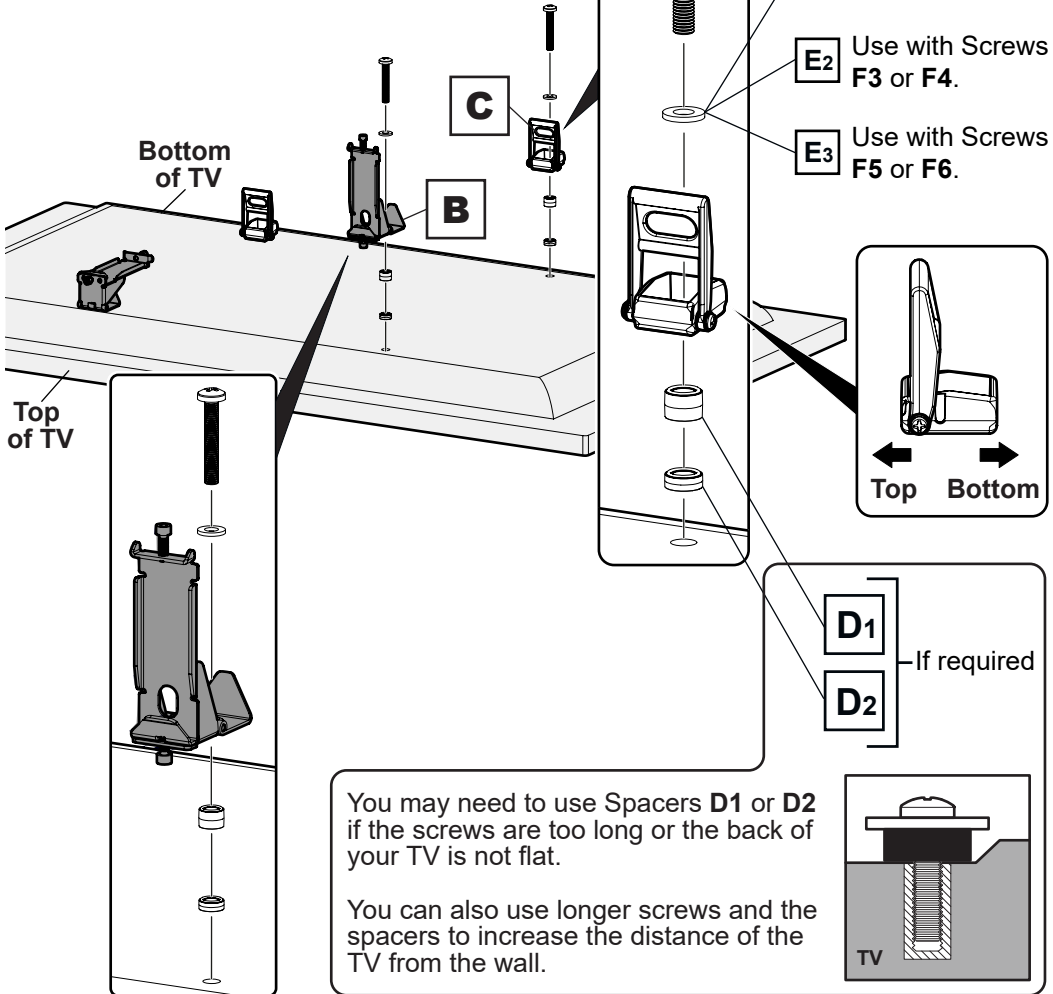


F1 - F6

E1 Use with Screws F1 or F2.

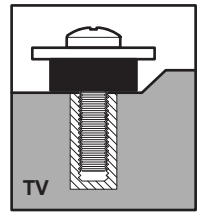
E2 Use with Screws F3 or F4.

E3 Use with Screws F5 or F6.



You may need to use Spacers D1 or D2 if the screws are too long or the back of your TV is not flat.

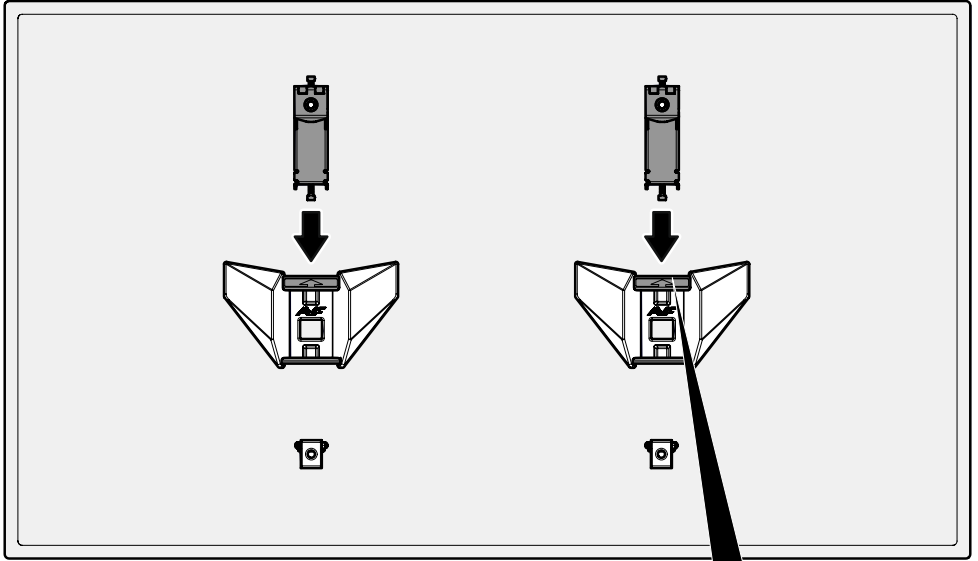
You can also use longer screws and the spacers to increase the distance of the TV from the wall.



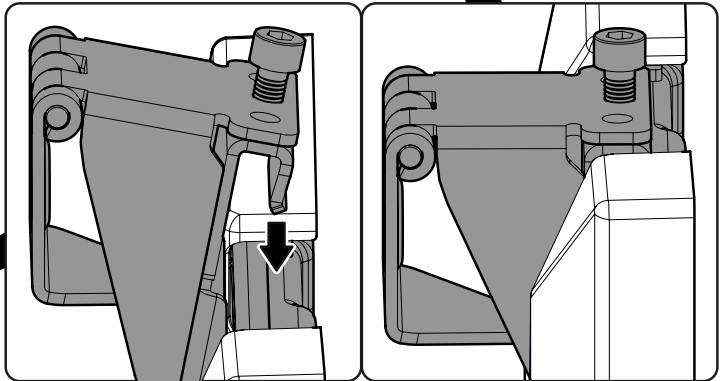
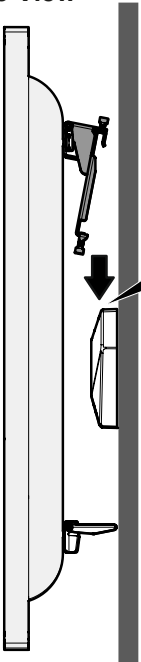
# 7 Hanging the TV



View "through" TV from the front.



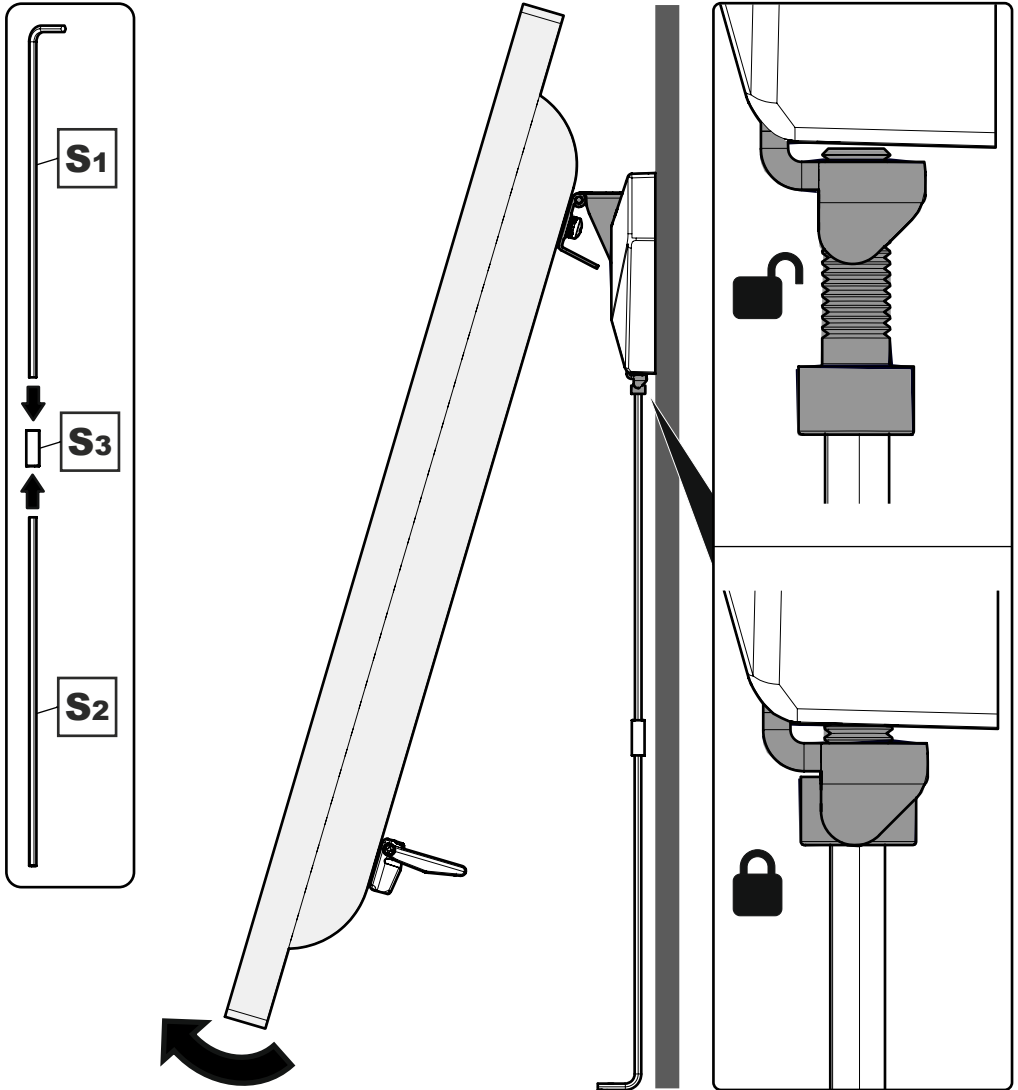
Side View



Do not tilt the TV when hanging. The TV must be vertical (parallel to the wall) when hooking in to place.



## Locking the TV



You can carefully pull the bottom of the TV away from the wall, and hold it in position, to gain better access to the TV Locking Screws.



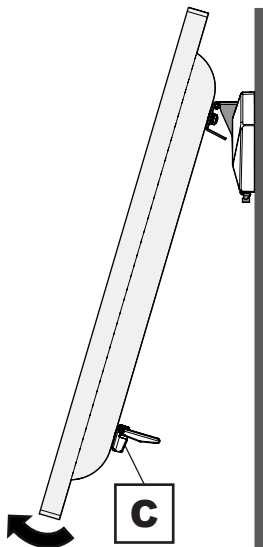
### Removing the TV

To remove the TV reverse the hanging procedure.

Do not tilt the TV when removing.

Lift the TV straight up, ensuring it stays vertical (parallel to the wall).

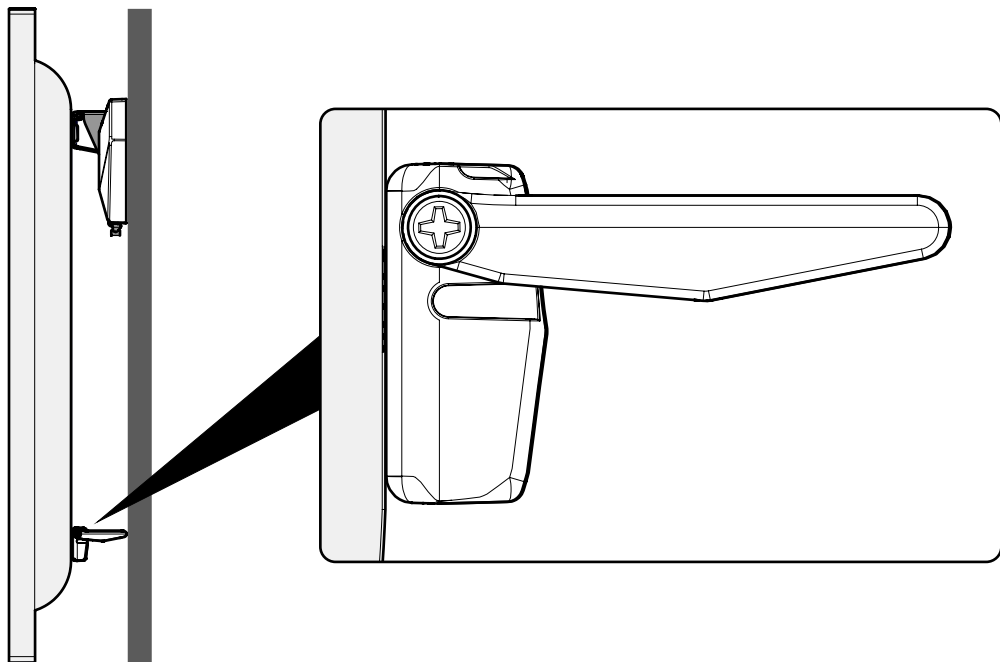
## Tilting the TV



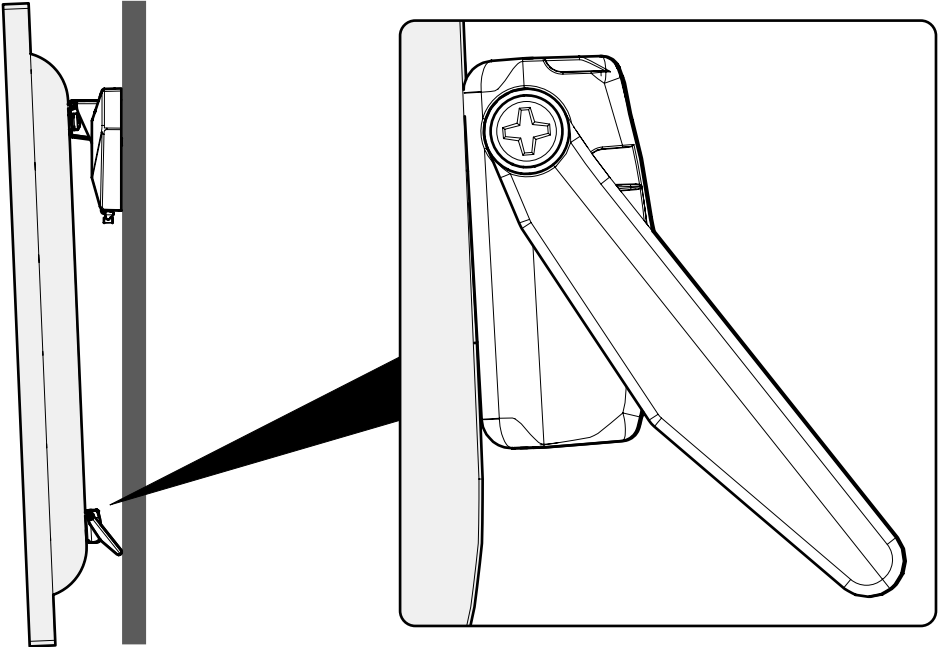
You can carefully pull the bottom of the TV away from the wall, and hold it in position, to gain access to the adjustable tilt stand-offs **C**.

Simply adjust by hand to set both tilt stand-offs to one of three different positions: Flat to Wall, Medium Tilt and Maximum Tilt.

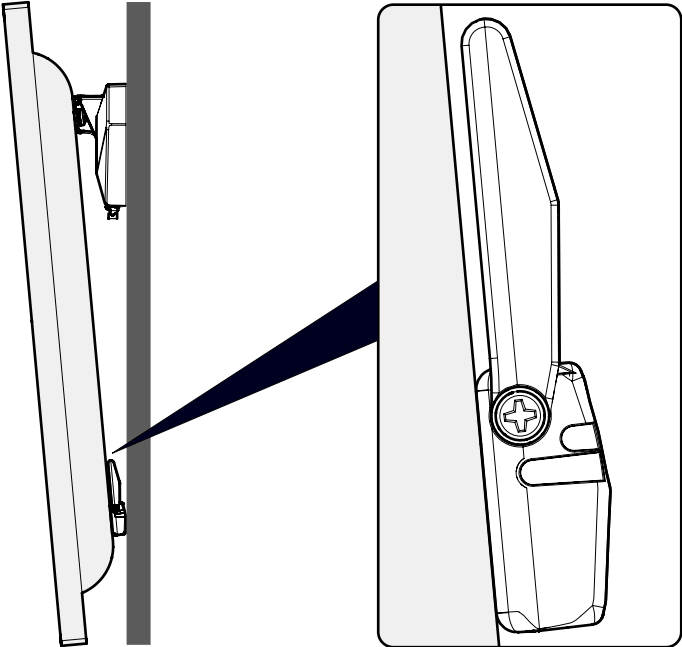
### Flat to Wall



**Medium Tilt**



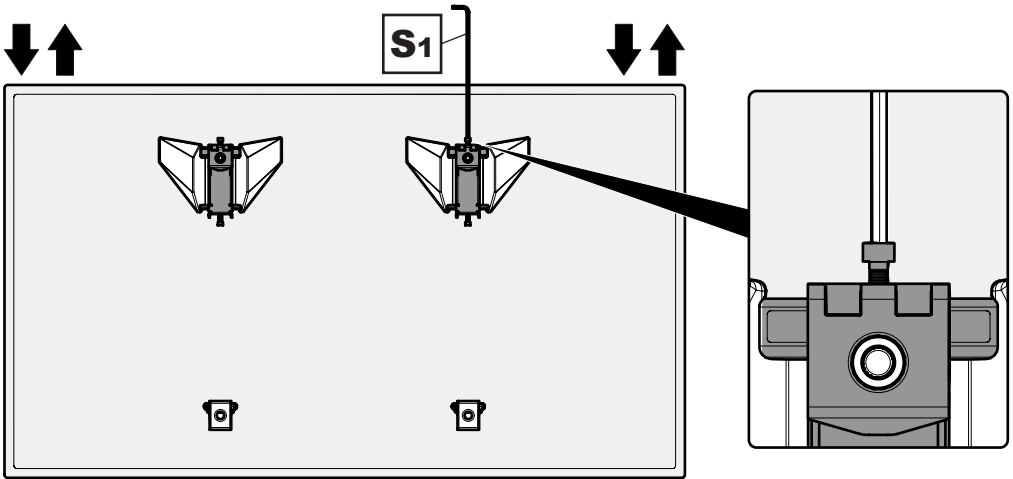
**Maximum Tilt**



## TV Levelling (optional)



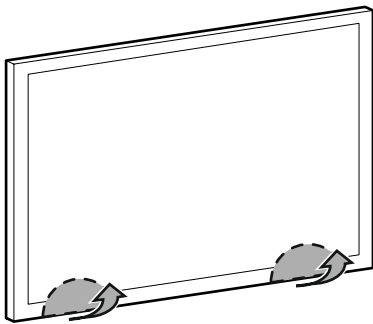
If your TV needs levelling, only adjust the TV Levelling Screw on the low side of the TV. For example, if the right hand side of your TV is low, tighten the right hand TV Levelling Screw only, until your TV is level.



For larger TVs you may need to use the extended Allen Key in order to reach the TV Level Adjustment Screws.

## Cable Access

For easy cable access, gently pull the bottom of the TV away from the wall using two hands. Hold the TV in position while accessing cables. When finished gently lower the TV back to against the wall.



**Stop** before the top of the TV touches the wall.

