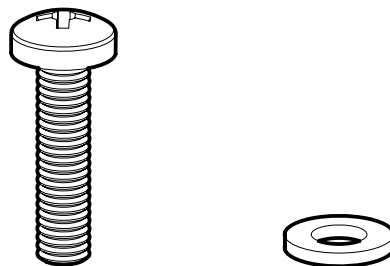


AVF Rigifix Long - Load Data Table

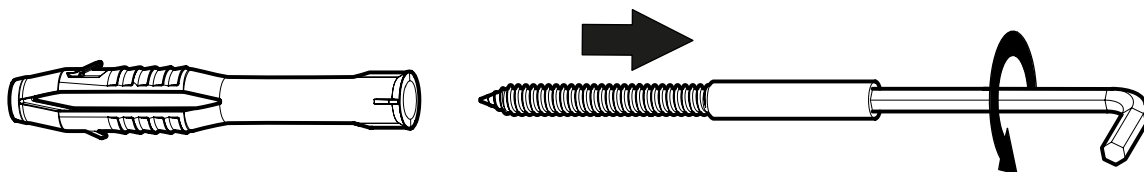
Block Type Density	Aircrete Block 470 kg/M ³	Concrete Block 1850 kg/M ³
Axial (pull out force) - Ultimate*	200kg	360kg
Axial (pull out force) - Recommended**	30 kg (6.66 x FOS)	54 kg (6.66 x FOS)
Shear (vert force against wall resulting in 2mm vertical deflection***)	120 kg	190 kg
Max plug extension (gap plus plasterboard)	40mm	40mm
Min plug extension	0mm	0mm
Min distance between holes	50mm	50mm
Min distance from block edge	50mm	50mm
Drill diameter	12mm	12mm
Drill depth (including gap and plasterboard)	115mm	115mm

* Minimum Ultimate Test Result ** Inc. Specified Factor of Safety *** Tested with a plug extension of 25mm (gap plus plasterboard) typical real world situation. All weight rating tests carried out with maximum plug extension 40mm (gap plus plasterboard) unless otherwise specified.

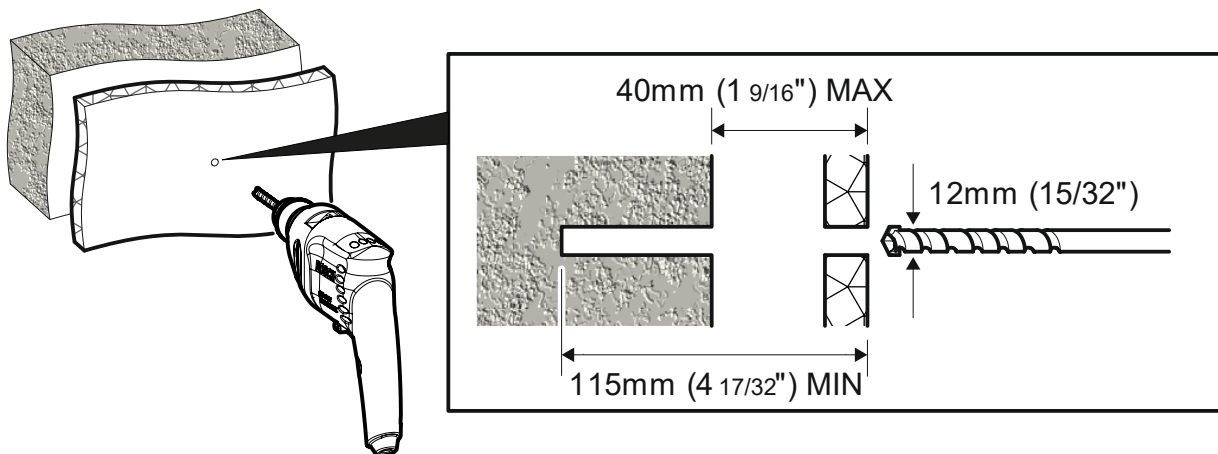


+44 (0) 333 320 0463 (UK)
1-800 667 0808 (USA)

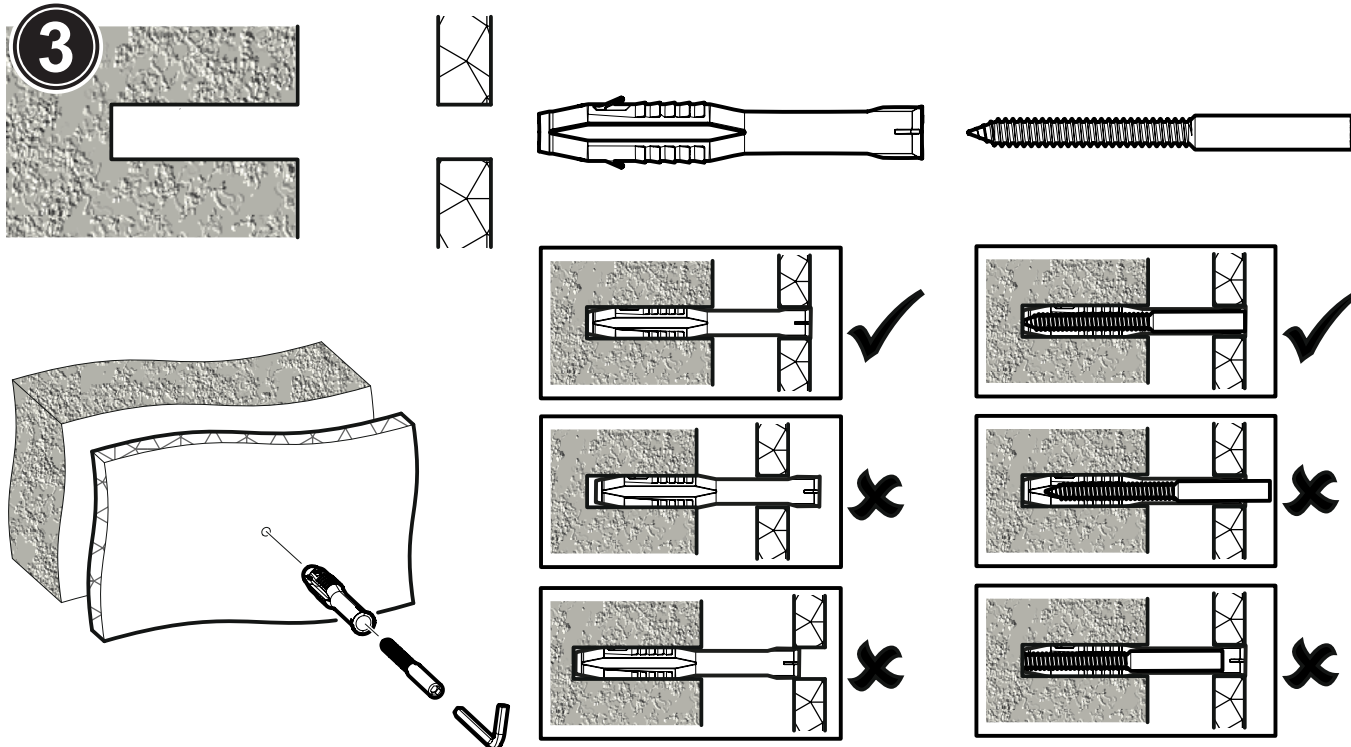
1



2



3



4

