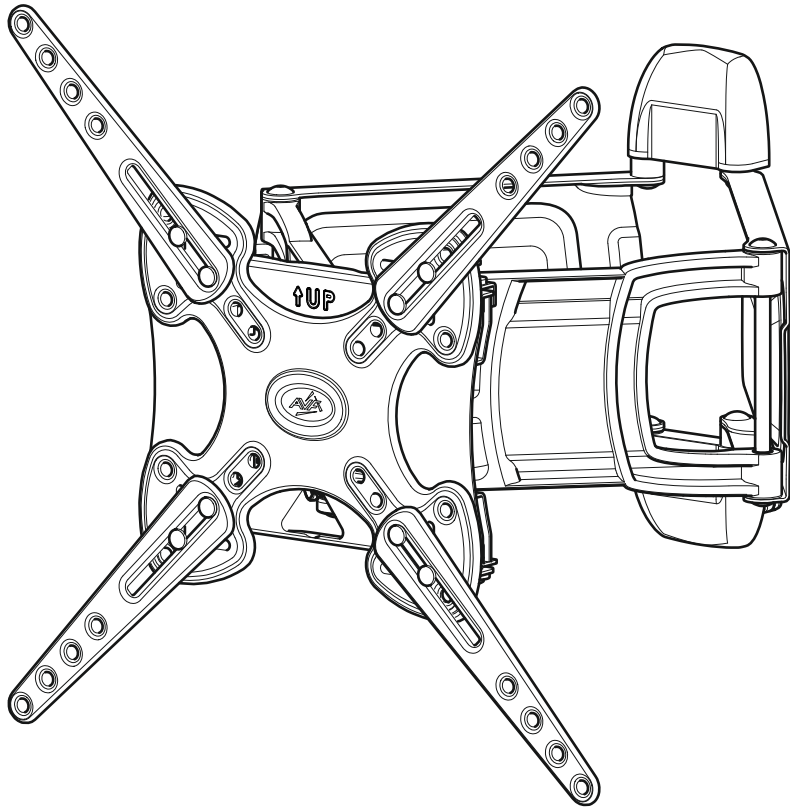


JNL454

469211 rev00



Read through **ALL** instructions before commencing installation.
If you have any questions about this product or issues with installation
contact the customer services helpline before returning this product to
the store. See jl.avfgroup.com/p/jnl454 for more information.

CUSTOMER SERVICES HELP LINE NUMBER:

+44 (0) 333 320 0463

40kg
88lbs

55"
140cm

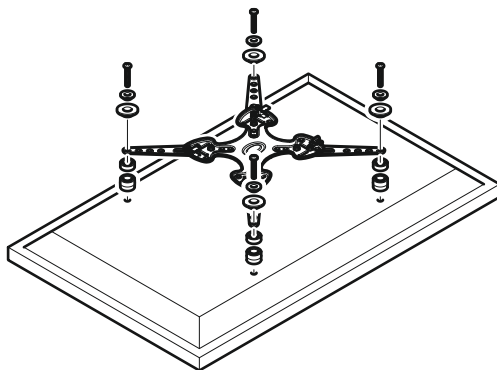
AVF Group Ltd. Hortonwood 30, Telford, Shropshire, TF1 7YE, England

Assembly Overview

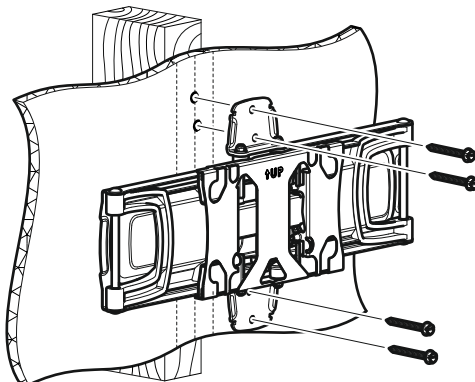


2 Person Installation Recommended

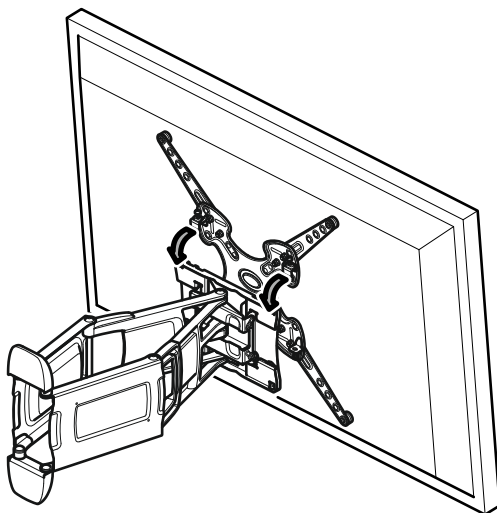
Fit the TV Mounting Plate



Fit the Wall Bracket



Connect the TV



Index

1 Measure the TV fixing holes Width and Height

2 Preparing the Front Adaptor Plate

3 Preparing the TV Mounting Plate

4 Fitting the TV Mounting Plate

5 Fitting the Wall Bracket

6 Fitting the Wall Bracket Covers

7 Connecting the TV

8 Cable Management

Retain all packaging in case the bracket needs to be returned.

Contents may vary from photography/ Illustrations.

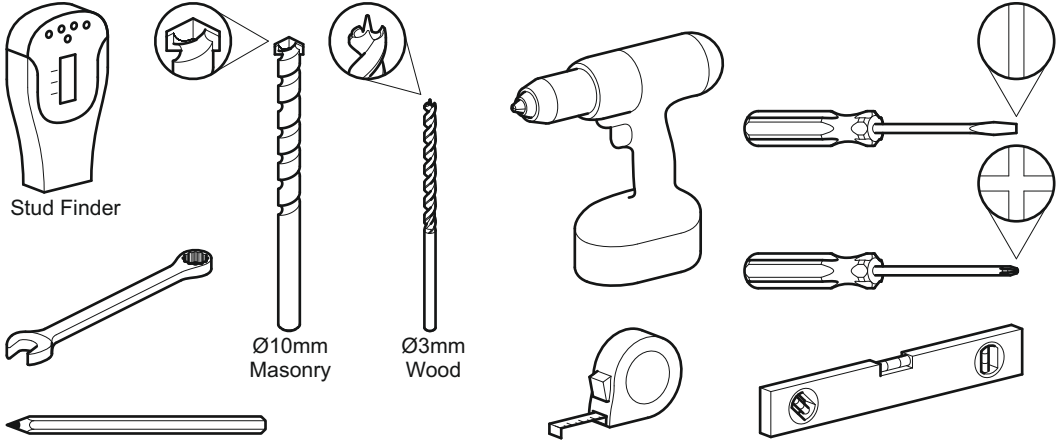
You will not need all these parts, so expect there to be some left over depending upon the specification of your TV.

This product is intended for indoor use only. Use of this product outdoors could lead to failure and personal injury.

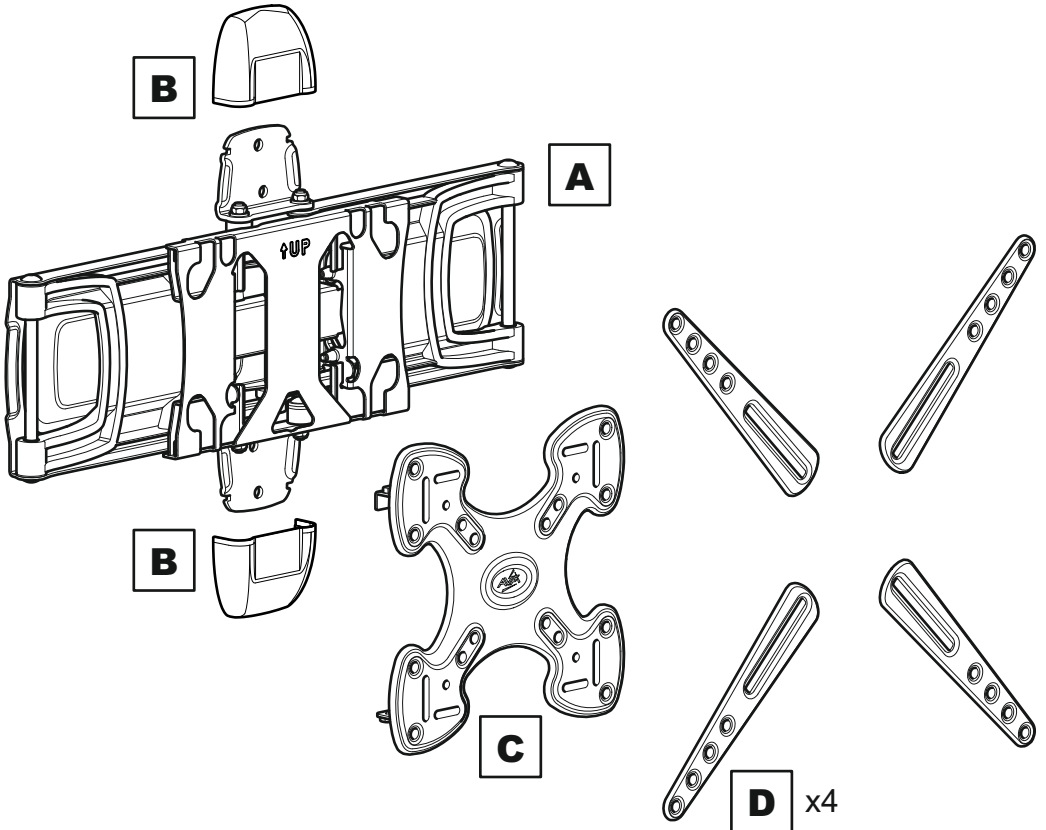
It is the responsibility of the installer to ensure that the mounting wall is of a suitable standard and void of any services (eg gas, electricity, water etc).

AVF accept no responsibility for any damage or loss caused by installing this product in a sub standard wall.

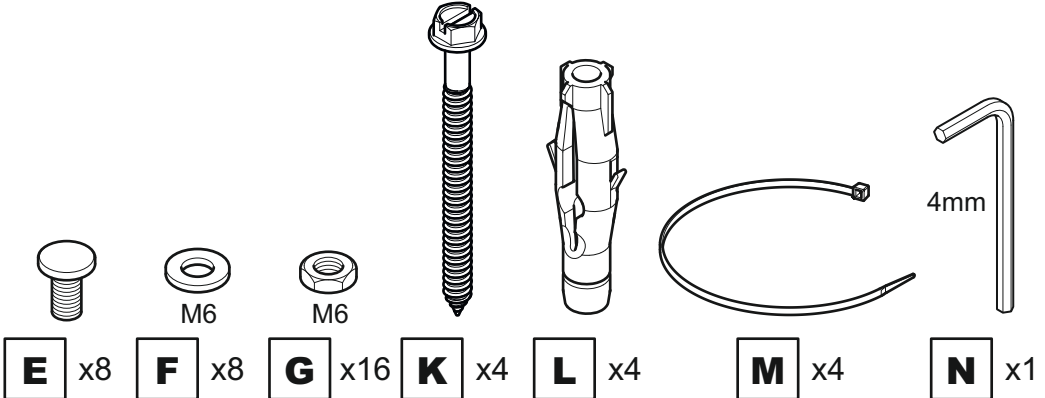
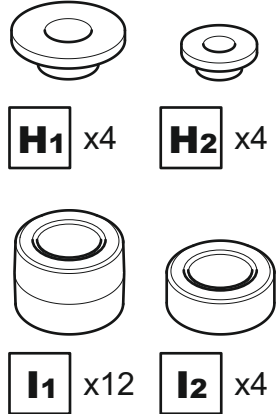
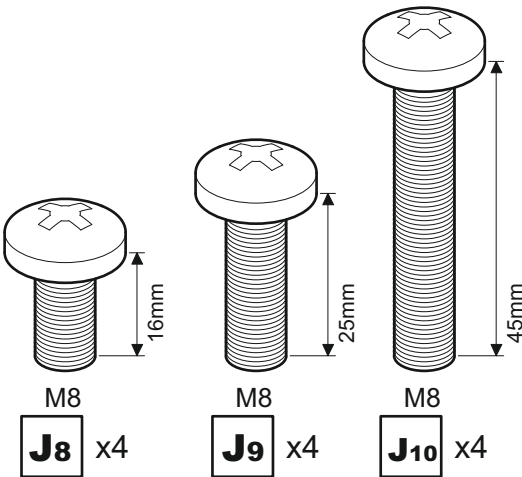
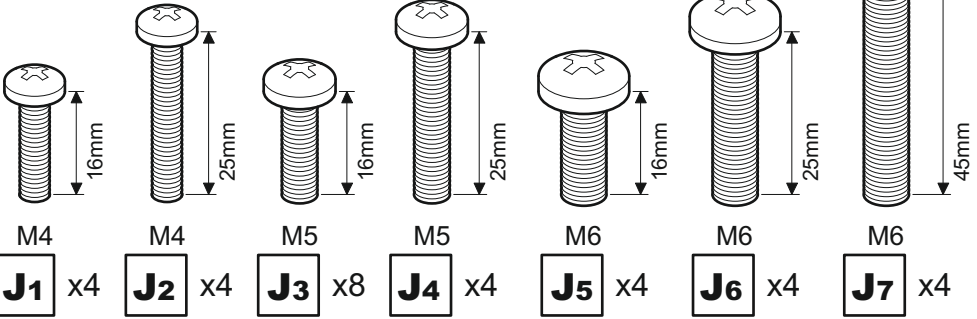
Tools Recommended



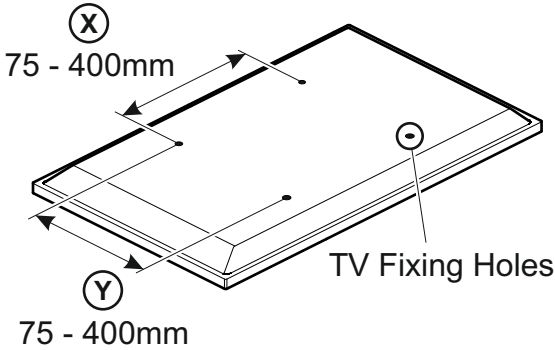
Boxed Parts




TV Screws, Reducers and Spacers

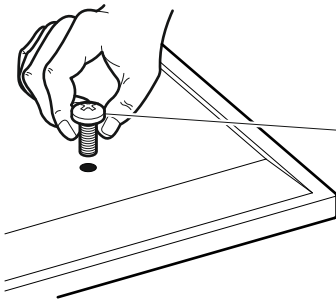


1 Measure the TV fixing holes Width and Height




If width X is greater than 400mm or height Y greater than 400mm STOP installation now and contact the customer help line

You are provided with 4 diameters of TV fixing screws, **M4**, **M5**, **M6** and **M8**. Determine the screw diameter that fits and remember for step 4.



M4 = **J1-J2**

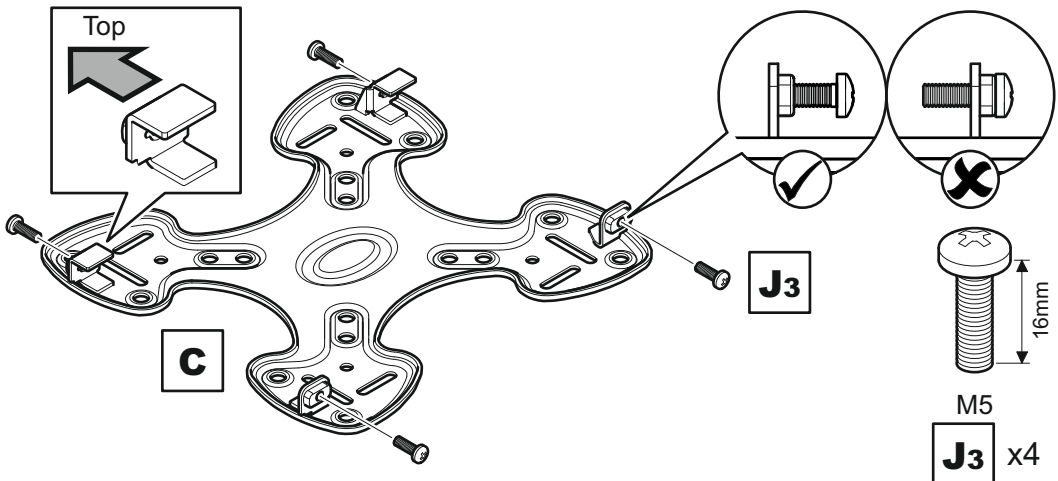
M5 = **J3-J4**

M6 = **J5-J7**

M8 = **J8-J10**


After completing step 4 you will have fittings left over, please keep for future reference

2 Preparing the Front Adaptor Plate



3 Preparing the TV Mounting Plate

Use the option that fits your TV
Do not fully tighten

OPTION 1

- (X) 75mm (Y) 75mm
- (X) 100mm (Y) 100mm
- (X) 200mm (Y) 100mm
- (X) 200mm (Y) 200mm

OPTION 3

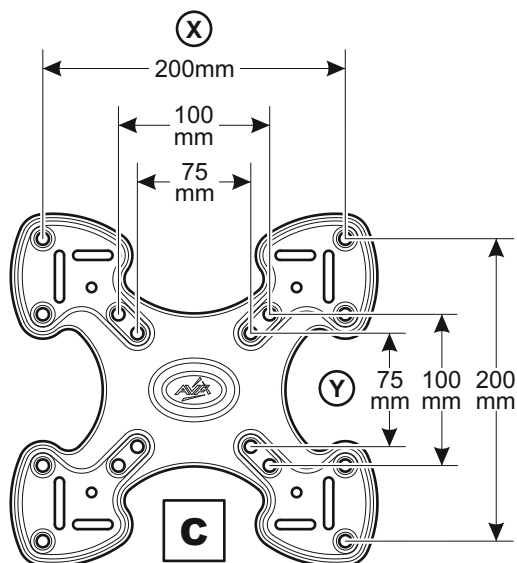
- (X) 300mm (Y) 100mm (X) 400mm (Y) 200mm
- (X) 300mm (Y) 200mm (X) 400mm (Y) 300mm
- (X) 300mm (Y) 300mm (X) 400mm (Y) 400mm
- (X) 400mm (Y) 100mm (X) 75 - 400mm (Y) 75 - 400mm

OPTION 2

- (X) 100mm (Y) 200mm

If in any doubt please call the customer help line.

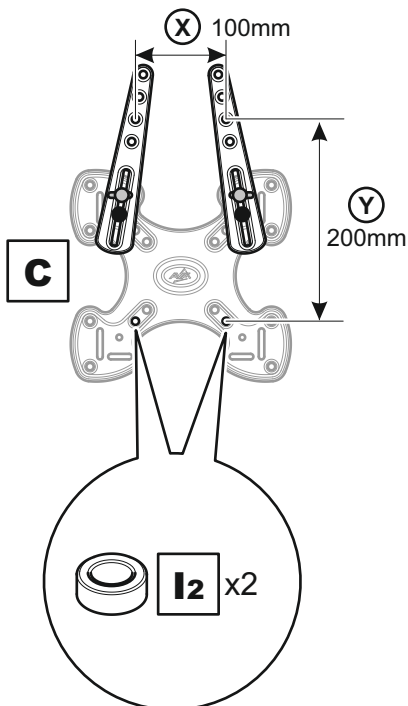
OPTION 1



If your TV fixing holes match any of the sizes shown above you will not need to use any adaptors.

Please go to step 4.

OPTION 2

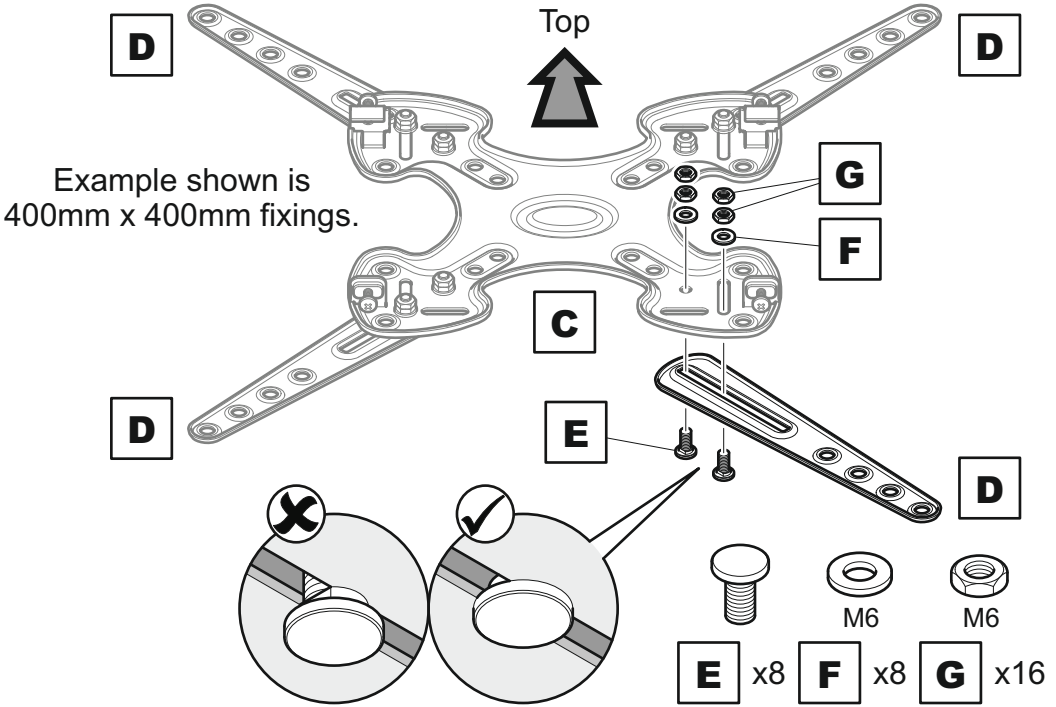
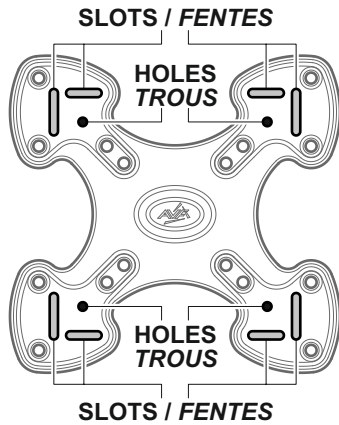


Use spacer I2 between the bottom two holes of the bracket and your TV.

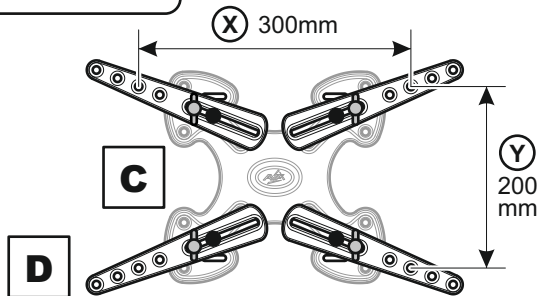
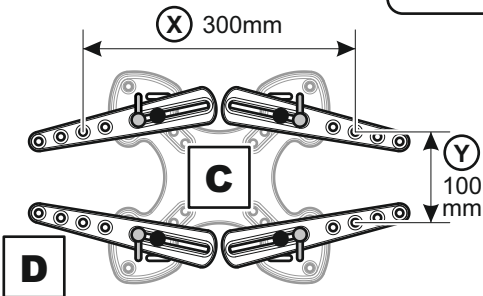
OPTION 3



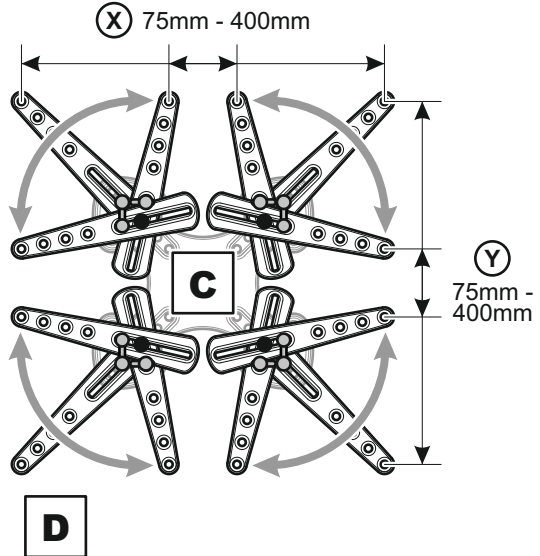
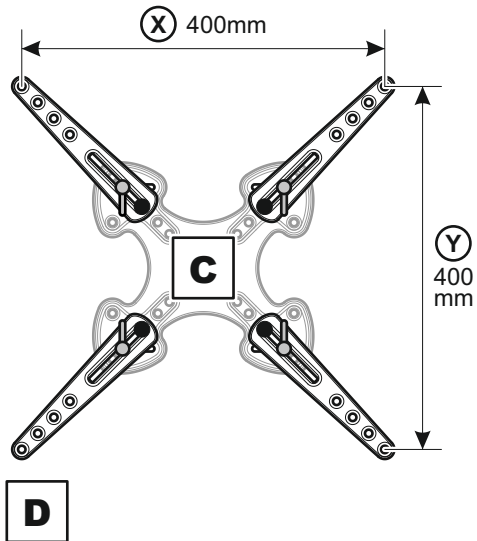
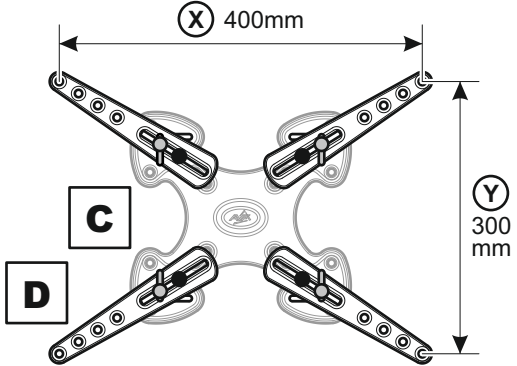
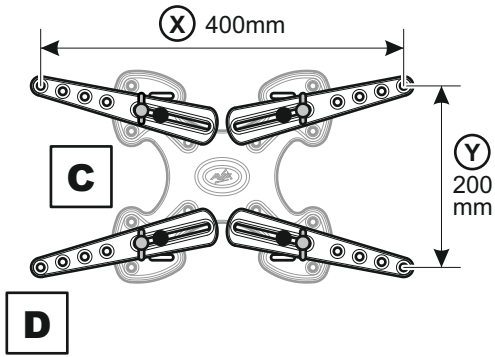
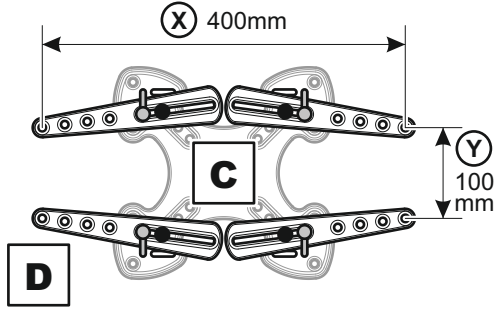
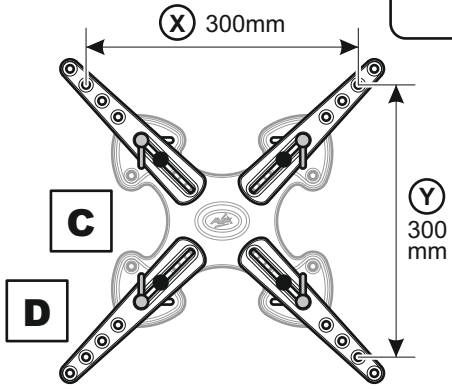
When attaching adaptors **D** you must always use **HOLES x4** and either of the **SLOTS**.



● = HOLES
○ = SLOTS



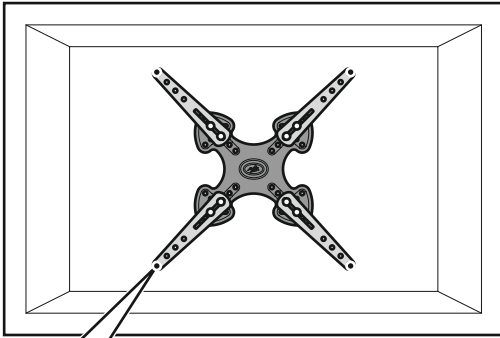
● = HOLES
○ = SLOTS



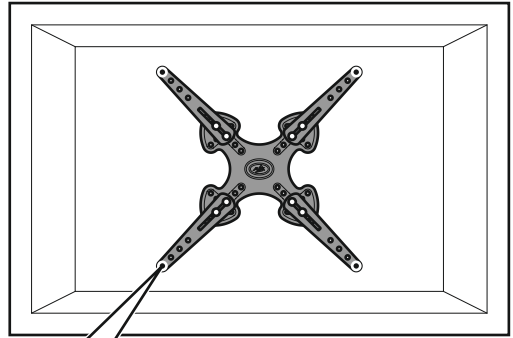
Adaptors **D** can be fixed in different positions in the slots on Plate **C** to match your TV fixing holes.

4 Fitting the TV Mounting Plate

Before you fully tighten the TV mounting plate please check that the mounting plate holes line up with the fixing holes on the back of your TV.



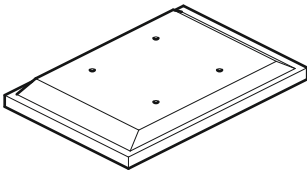
Holes do not line up and small adjustment is required before you fully tighten



Holes line up and no adjustment is required before you fully tighten

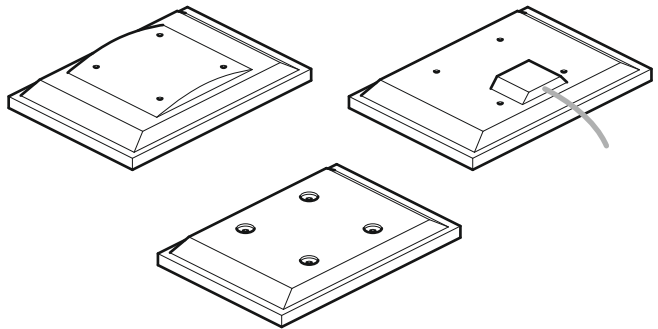
No Spacers

For TVs with flat/unobstructed back

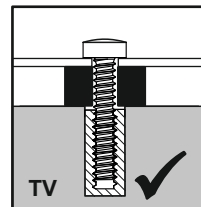
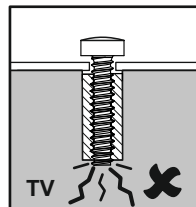
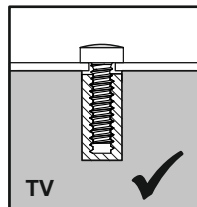
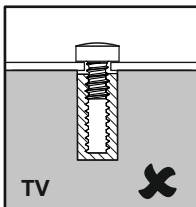


Spacers $1/2$

For TVs with irregular/obstructed back

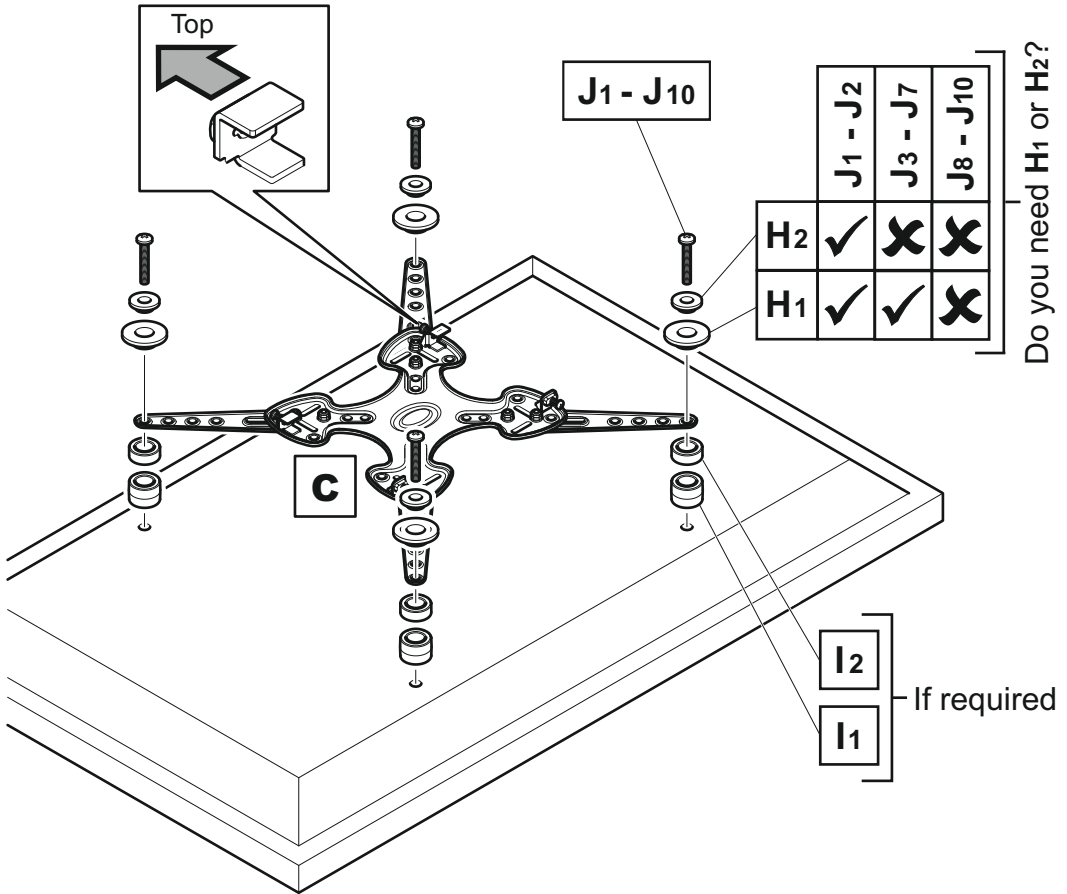


WARNING



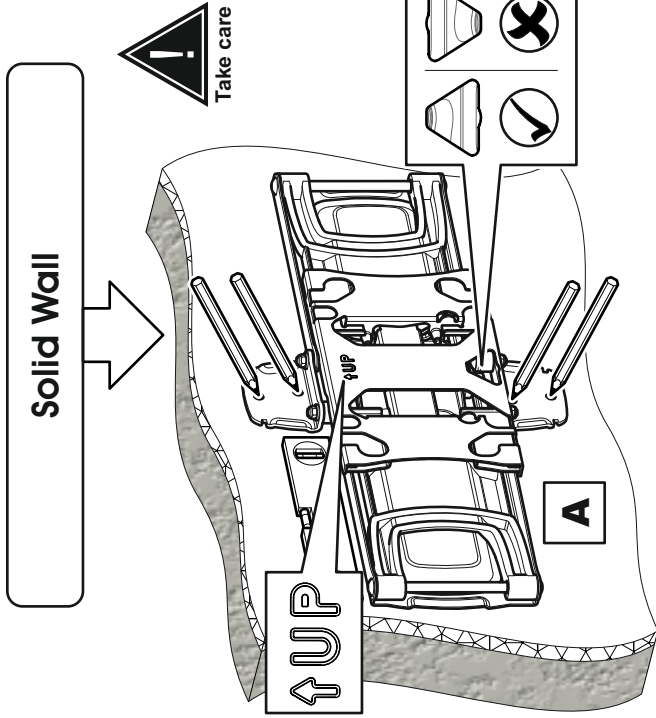
After completing step 4 you will have fittings left over, please keep for future reference

Attach the bracket to the back of your TV using suitable screw, reducer and spacer combinations.

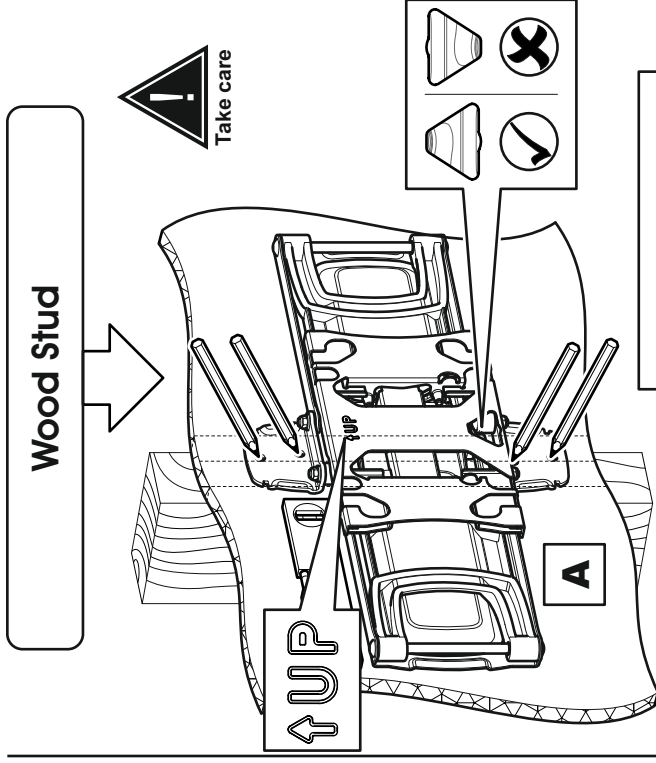


Fixings shown are valid for options 1, 2 & 3

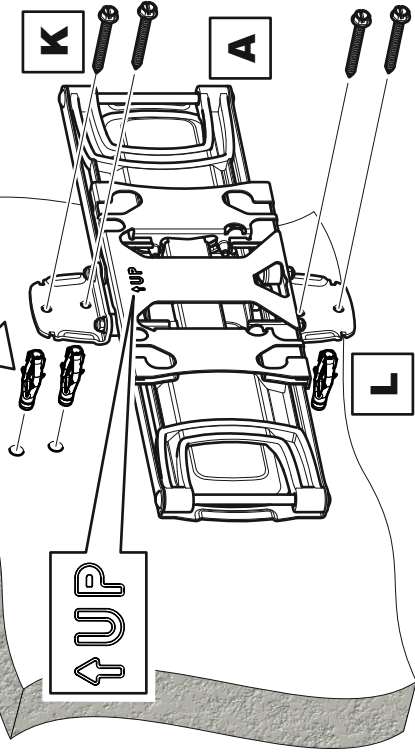
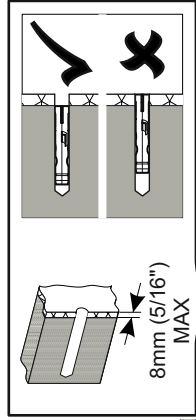
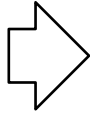
5 Fitting the Wall Bracket



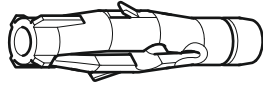
Remove dust from hole



Ensure bracket is in the centre of the wood stud



K x4



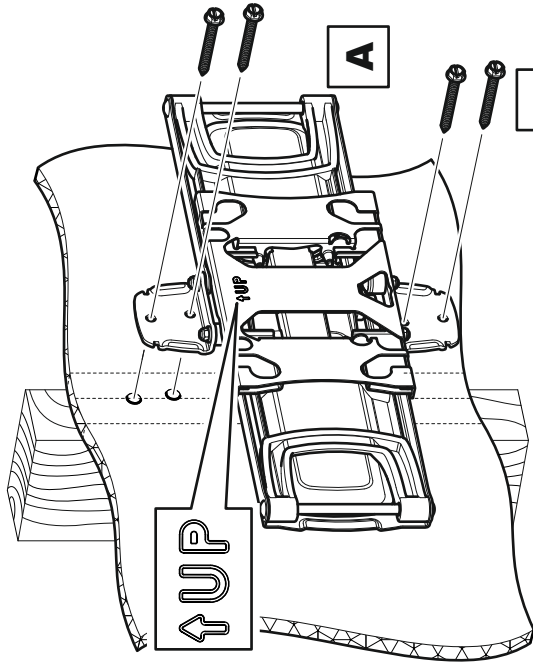
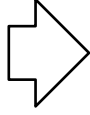
L x4



Lubricate screw
thread with soap



DO NOT over tighten screws
Tighten screws by hand only



K x4

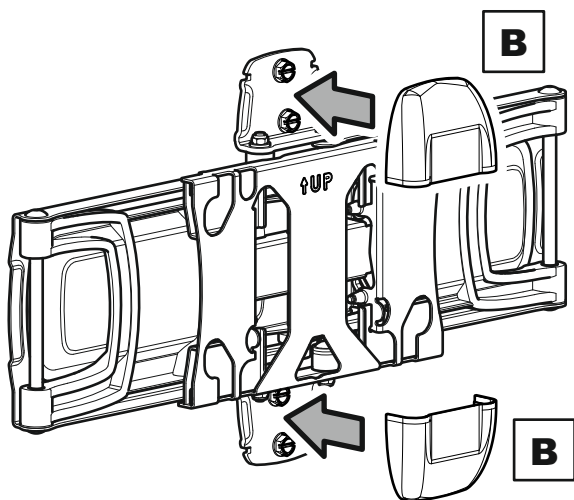


Lubricate screw
thread with soap



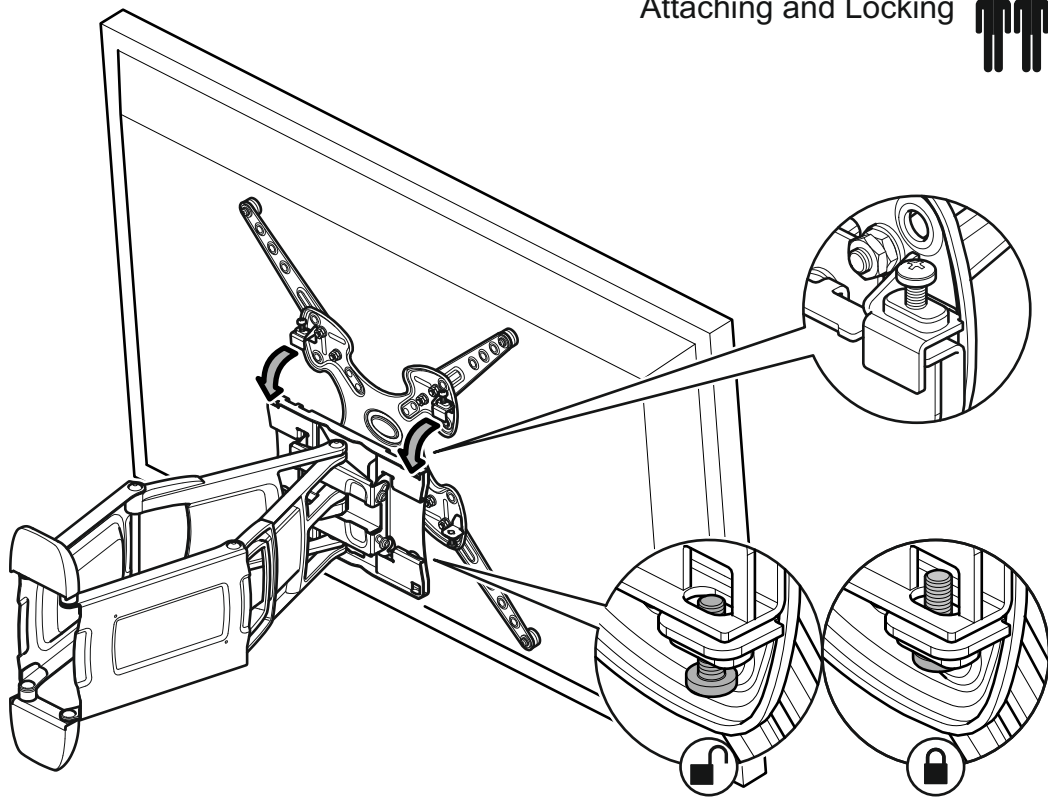
DO NOT over tighten screws
Tighten screws by hand only

6 Fitting the Wall Bracket Covers



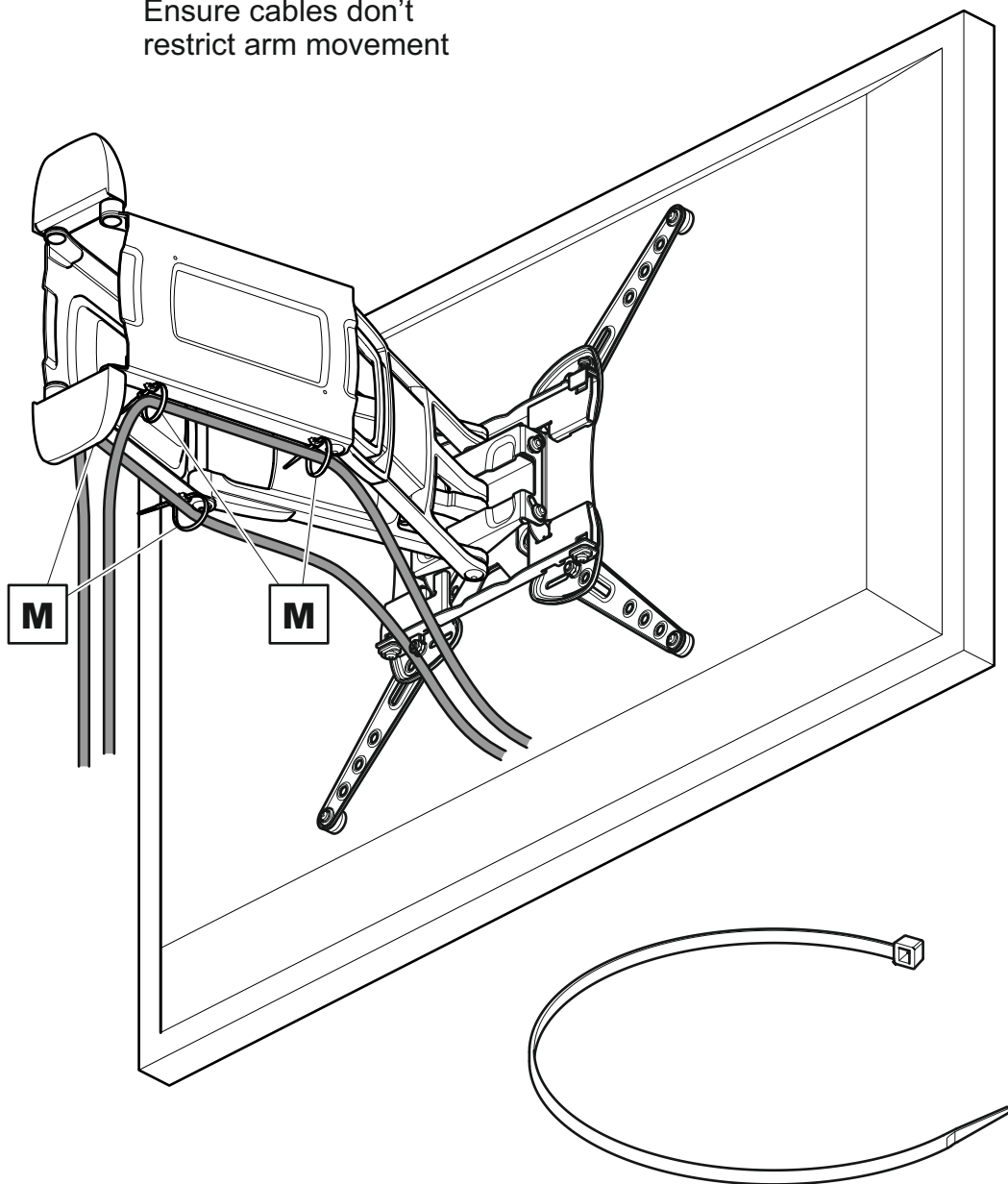
7 Connecting the TV

Attaching and Locking



8 Cable Management

Ensure cables don't restrict arm movement

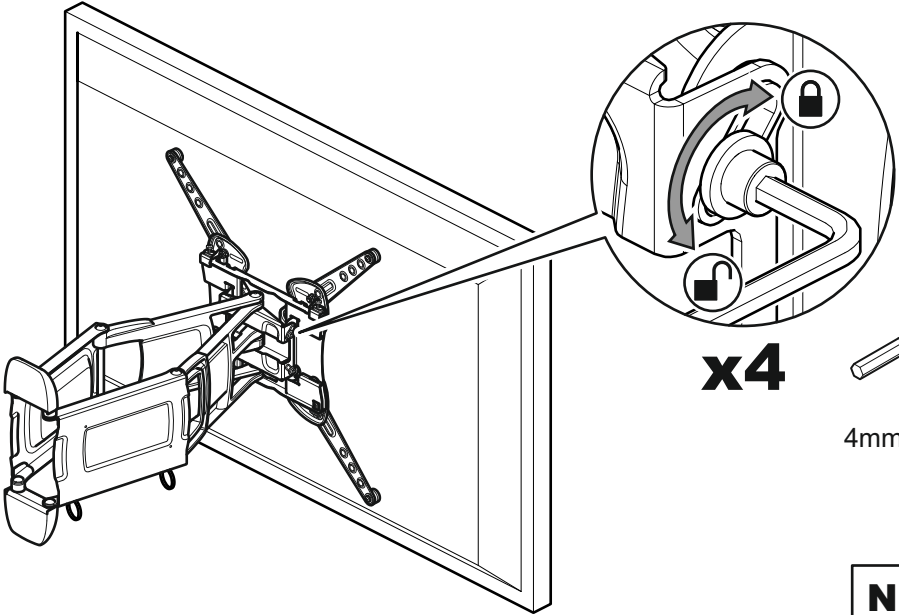


Check all fittings are tight

M x4

Optional

Lock Tilt



TV Levelling

