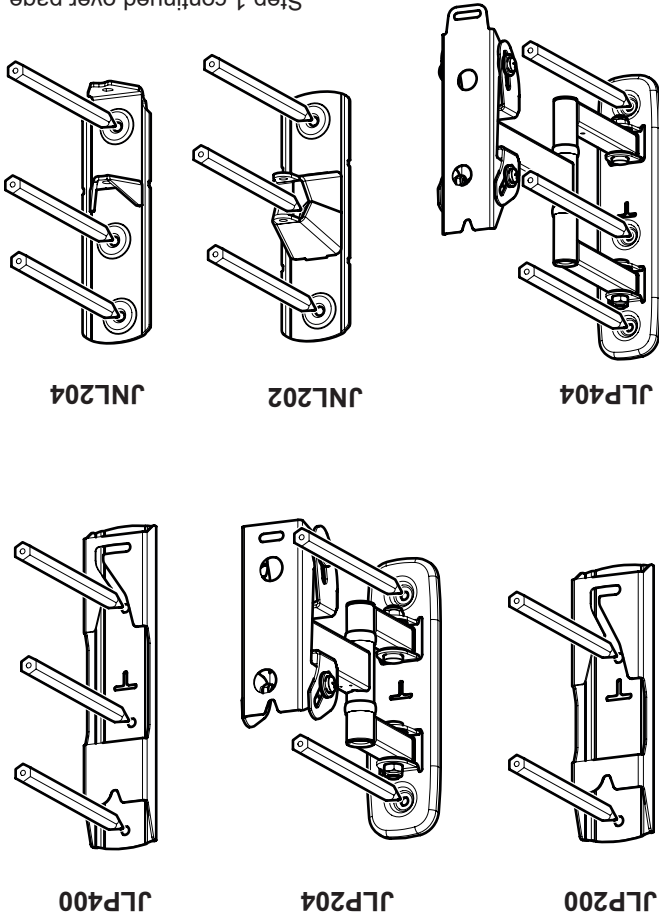


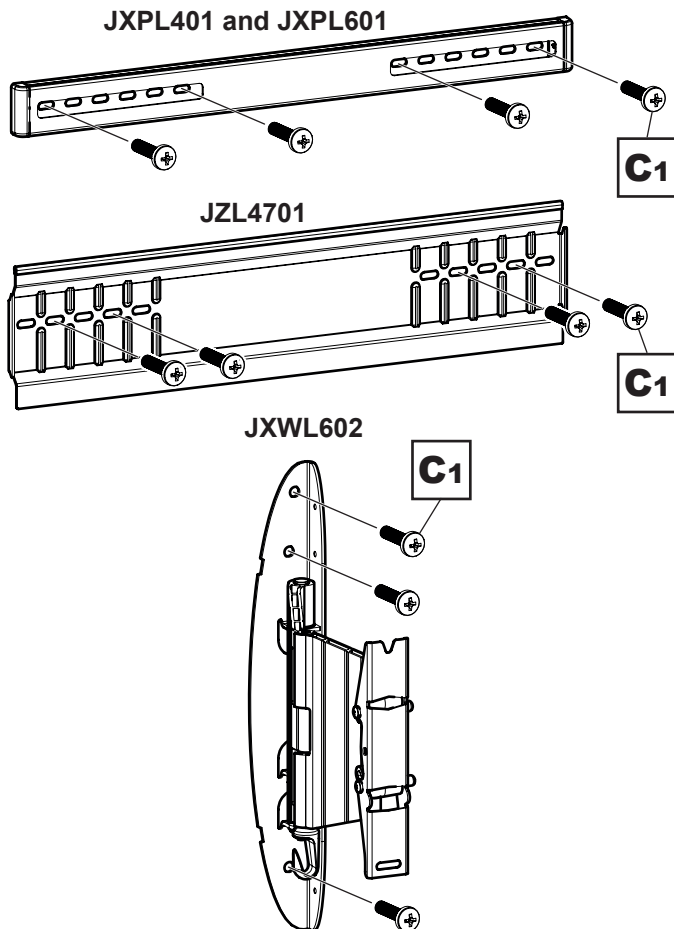
Step 1 continued over page



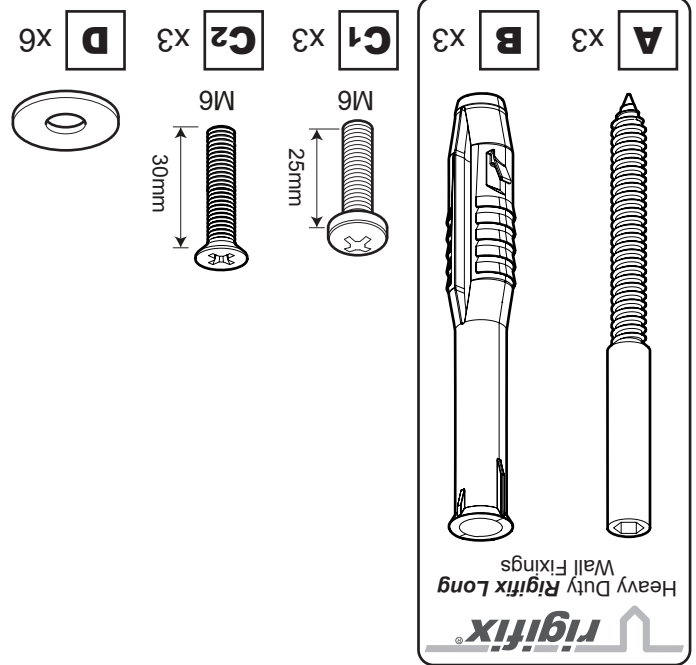
Marking Wall for Drill Points

3 Fitting the Wall Bracket

continued



You might not need all these parts, so there may be some left over depending upon the specification of your TV Wall Mount. This kit is intended for indoor use only. Use of this kit outdoors could lead to failure and personal injury. It is the responsibility of the installer to ensure that the mounting wall is of a suitable standard and void of any services (eg gas, electricity, water etc). AVF accept no responsibility for any damage or loss caused by installing your TV Wall mount in a standard wall.



Fixings Included

jl.avfgroup.com

469198 rev02



Dot & Dab Wall Fixing Kit
With Heavy Duty *Rigifix Long*
Wall Fixings

Use this kit when installing a TV Wall Mount on a Dot and Dab wall.

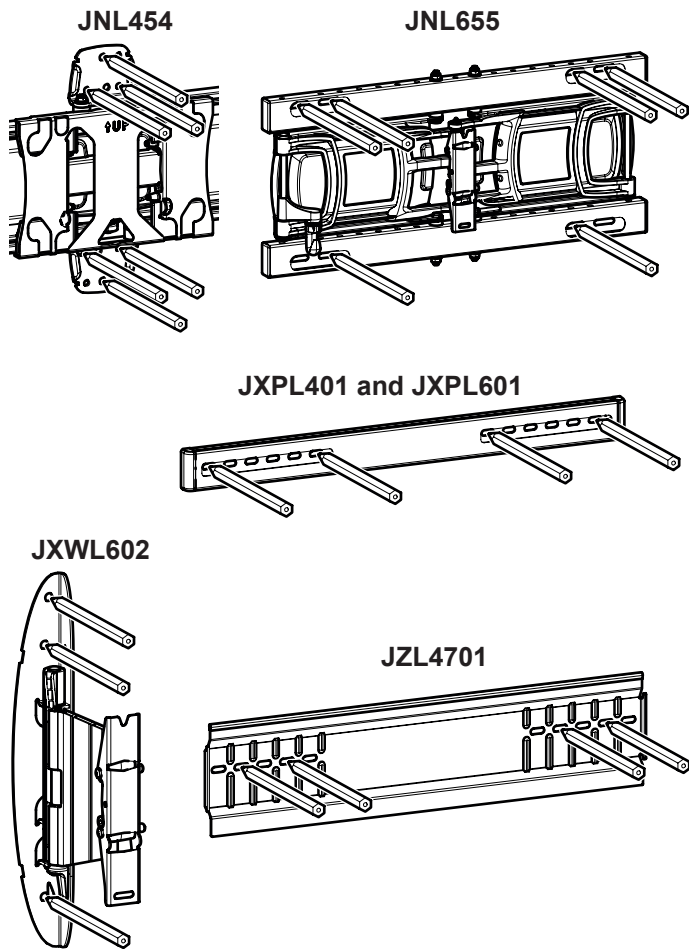
This fixing kit is suitable for the following John Lewis TV Wall Mounts:

- | | |
|---------------|-----------------|
| JLP200 | JNL454* |
| JLP204 | JNL655* |
| JLP400 | JXPL401* |
| JLP404 | JXPL601* |
| JNL202 | JXWL602 |
| JNL204 | JZL4701* |

* For these TV Wall Mounts you will need two Dot and Dab Wall Fixing Kits

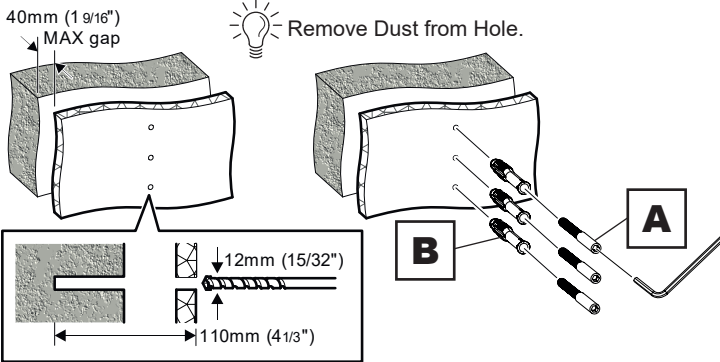
CUSTOMER SERVICES HELPLINE NUMBER: 0333 320 0463 (UK)

1 Marking Wall for Drill Points continued



2 Install Wall Plugs and Bolts

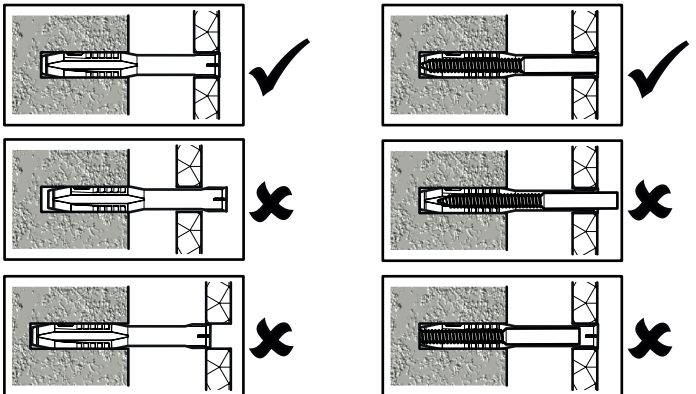
i The drill hole pattern shown is an example only. Follow the drill hole markings in Step 1.



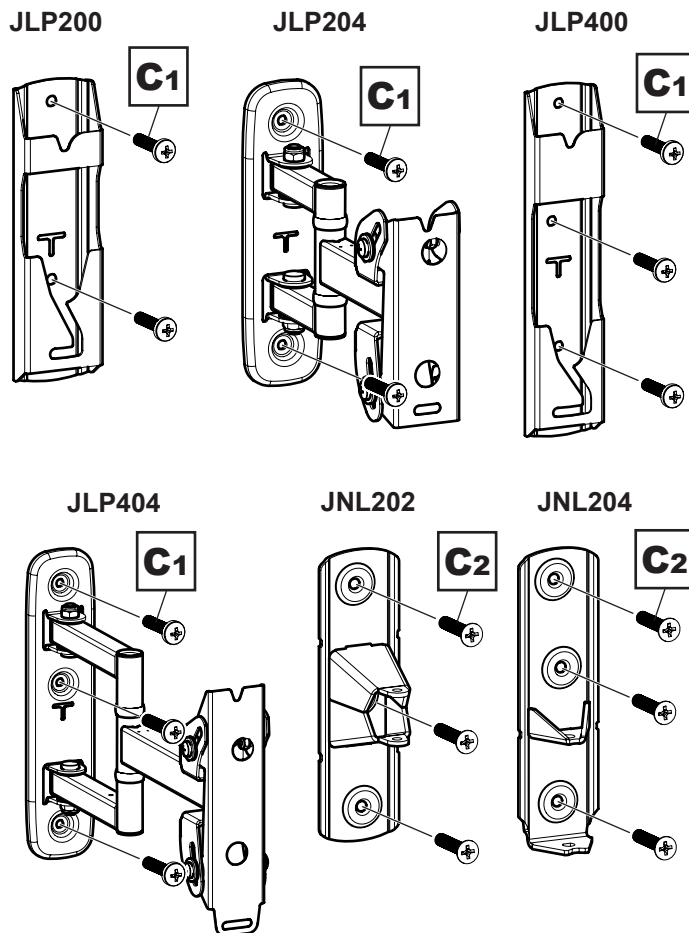
! Both Plug **B** and Bolt **A** MUST be flush with the wall.

Insert Wall Plug **B** and tap into place with a hammer.

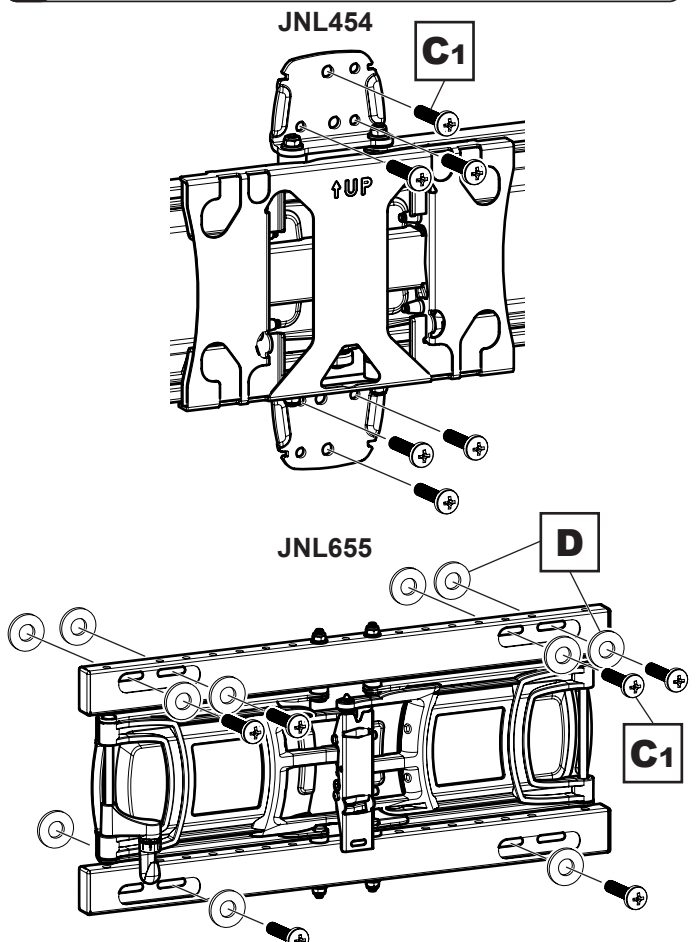
Screw Bolt **A** into Wall Plug **B** using an allen key.



3 Fitting the Wall Bracket



3 Fitting the Wall Bracket continued



Step 3 continued over page