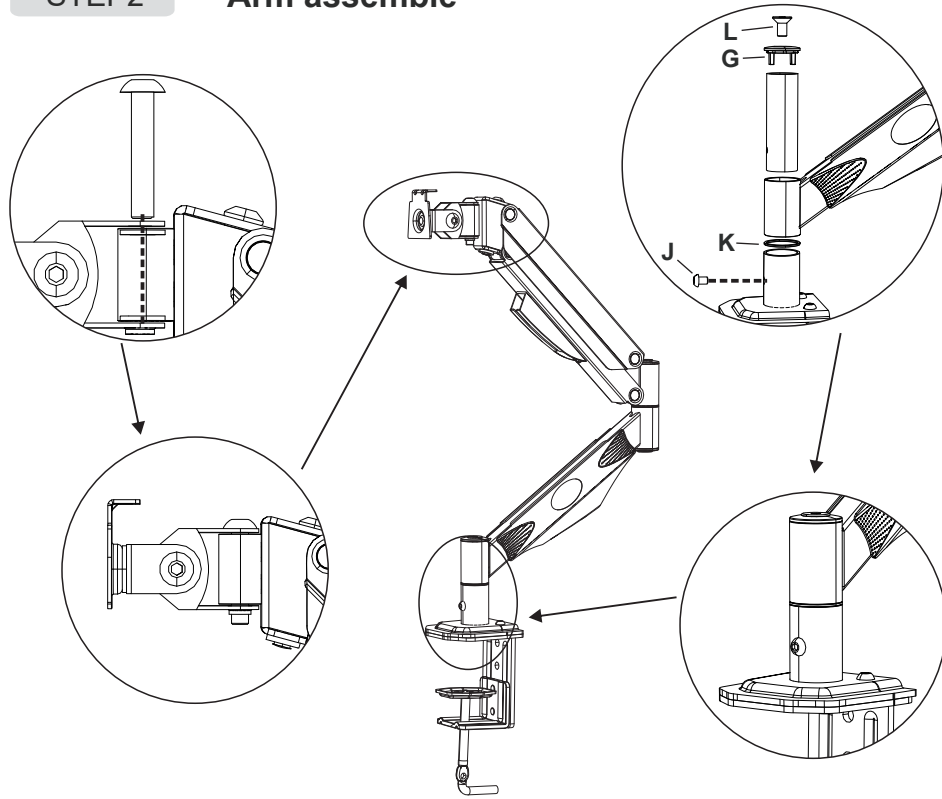


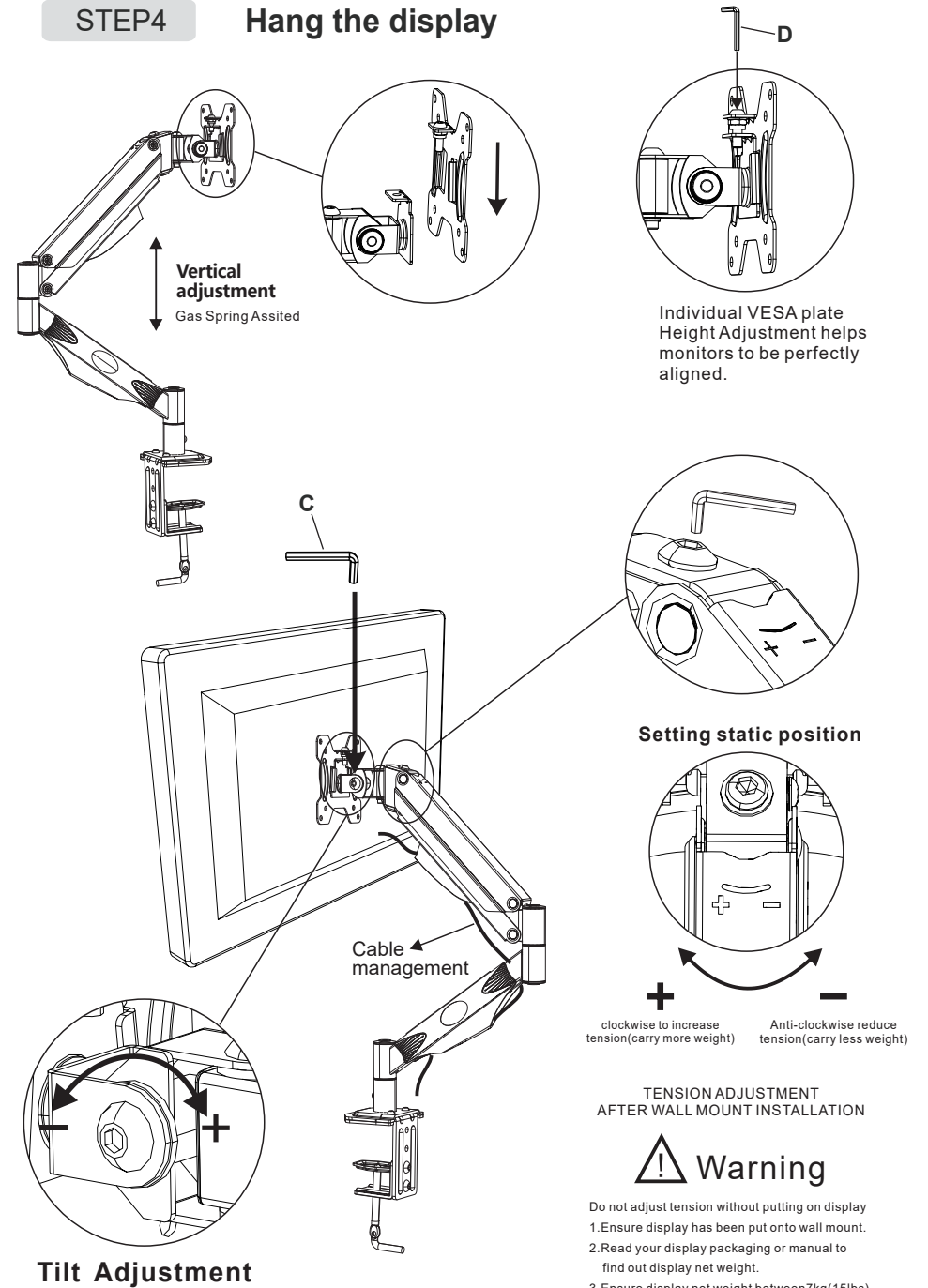
## STEP2

## Arm assemble



## STEP4

## Hang the display



## STEP3

## Installing the lcd

