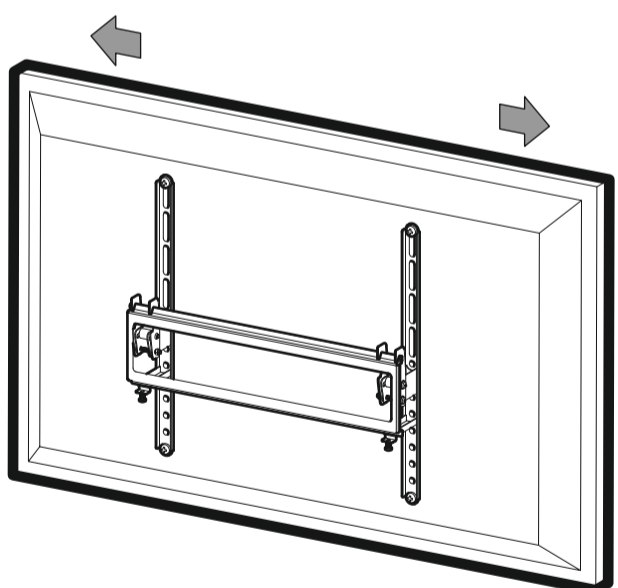
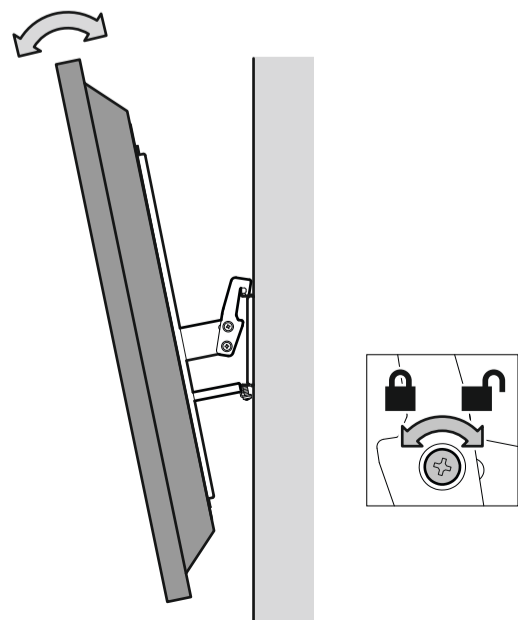


**4** Optional - TV Position

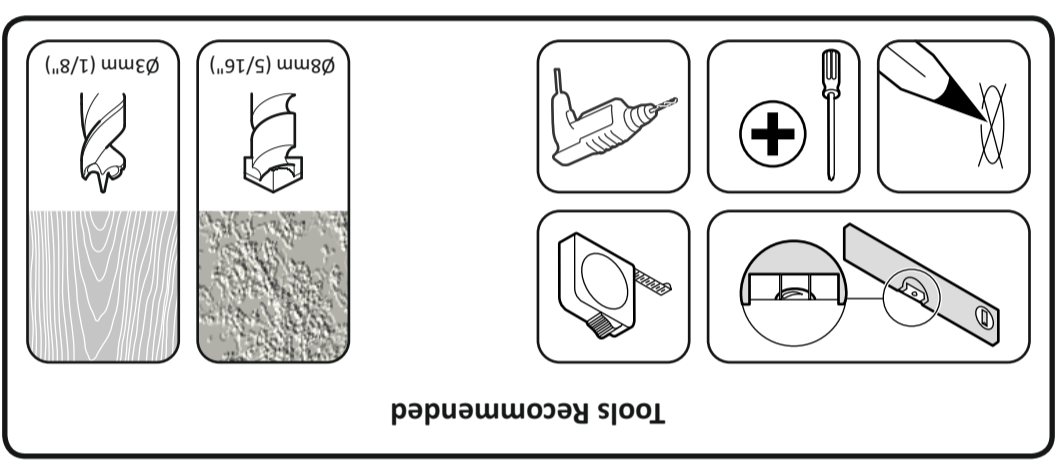
You can slide your TV horizontally by small amounts if required



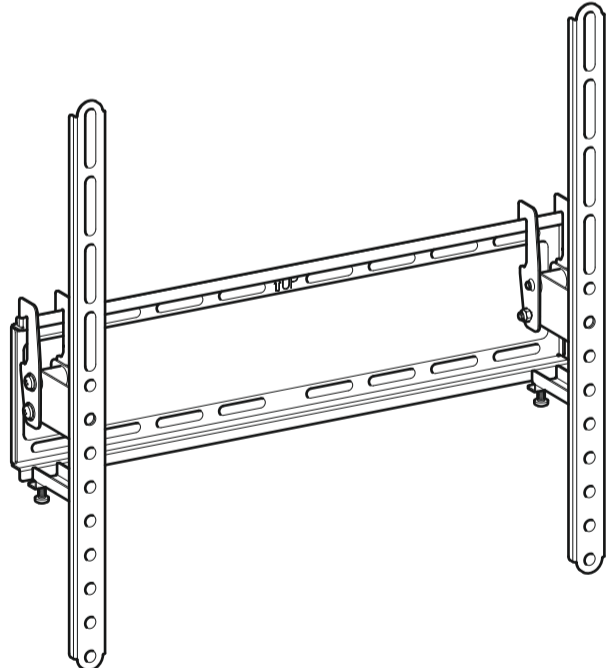
**5** Optional - Lock Tilt



Periodically check all nuts and bolts are tight.  
 AVF accept no responsibility for any damage or loss caused by installing this product in a sub standard wall.  
 void of any services (eg gas, electricity, water etc).  
 It is the responsibility of the installer to ensure that the mounting wall is of a suitable standard and personal injury.  
 This product is intended for indoor use only. Use of this product outdoors could lead to failure and specification of your TV.  
 You will not need all these parts, so expect there to be some left over depending upon the Contents may vary from photography/illustrations.  
 Retain all packaging in case the bracket needs to be returned.



**468365 rev00**



**55lbs  
25kg**

**STOP** Read through ALL instructions before commencing installation.

**Please don't return me to the store**  
 If you are unsure or need advice please contact our support team:  
**0333 320 0463** or **avfgroup.com**  
 Phone lines open Mon-Fri during AVF office hours

### 1 Fitting the TV Bracket

**Top**

**B1**

**B2**

**T1**<sub>x4</sub> M4 x 16mm

**T2**<sub>x4</sub> M4 x 30mm

**T3**<sub>x4</sub> M6 x 16mm

**T4**<sub>x4</sub> M6 x 30mm

**T5**<sub>x4</sub> M8 x 25mm

**T6**<sub>x4</sub> M8 x 45mm

**T7**<sub>x4</sub> M5

**T8**<sub>x4</sub> M6

**T9**<sub>x4</sub>

**T10**<sub>x4</sub>

TV

T1/T2+T7  
T3/T4+T8  
T5/T6

T1/T2+T7+T9/T10  
T3/T4+T8+T9/T10  
T5/T6+T9/T10

### 2 Fitting the Wall Bracket to a Solid Wall

**UP**

65mm (2 9/16")

Remove dust from hole

Lubricate screw thread with soap

**W3**<sub>x4</sub> M6

**W2**<sub>x4</sub>

**W1**<sub>x4</sub>

### 2 Fitting the Wall Bracket to a Wood Stud Wall

**UP**

50mm (2")

Ensure bracket is in the centre of the wood stud

Lubricate screw thread with soap

**W1**<sub>x4</sub>

**W3**<sub>x4</sub> M6

### 3 Connecting the TV

**UP**

**DOWN**