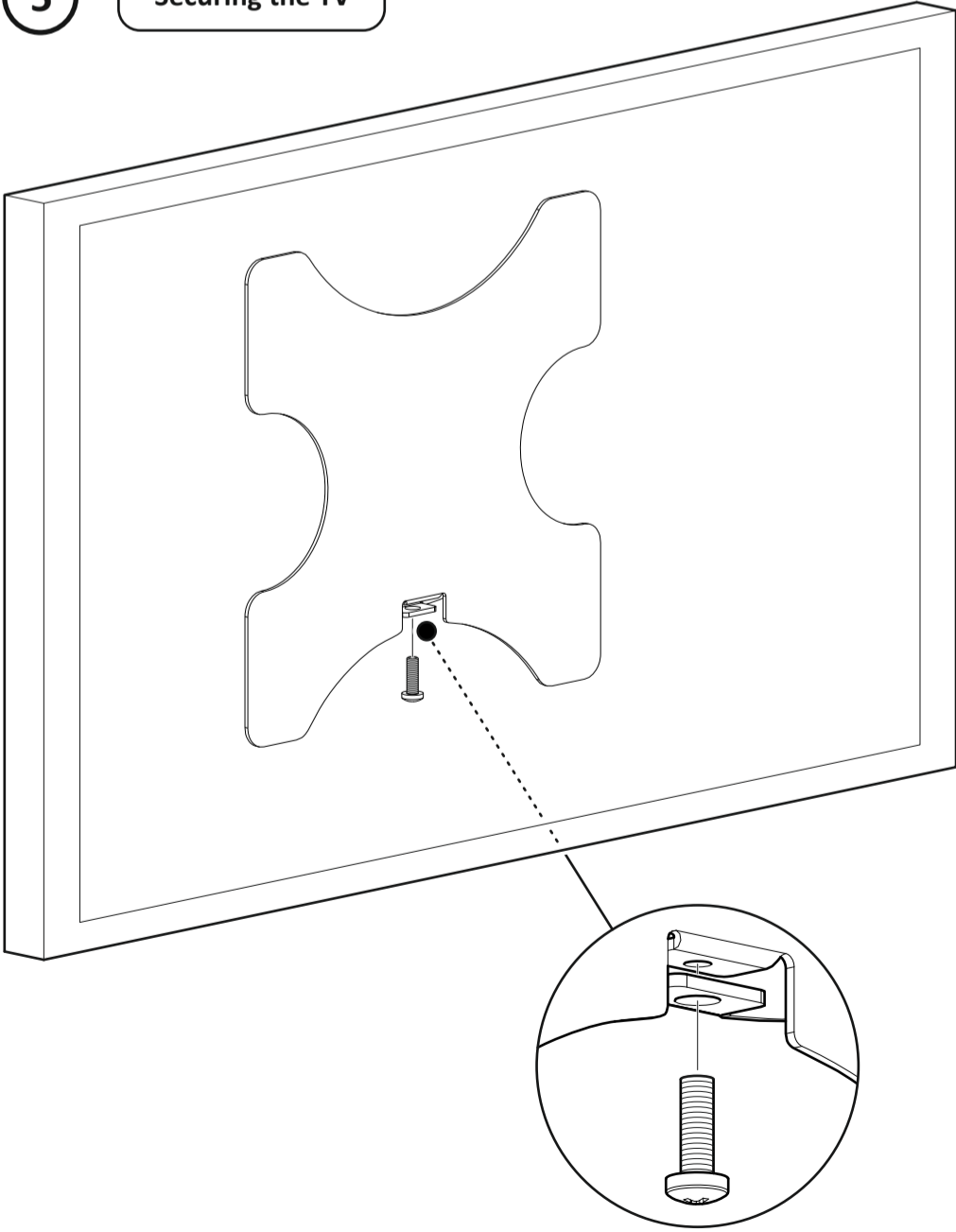


1 Separating the Brackets

Boxed Parts

T1 M4 16mm	T2 M4 30mm	T3 M6 16mm	T4 M6 30mm	T5 M8 25mm	T6 M8 45mm	T7 M5	T8 M6
W1 W1 x2	W2 W2 x2	W3 W3 x2	T9 x4	T10 x4	T11 x4	T12 x4	T13 x4

5 Securing the TV

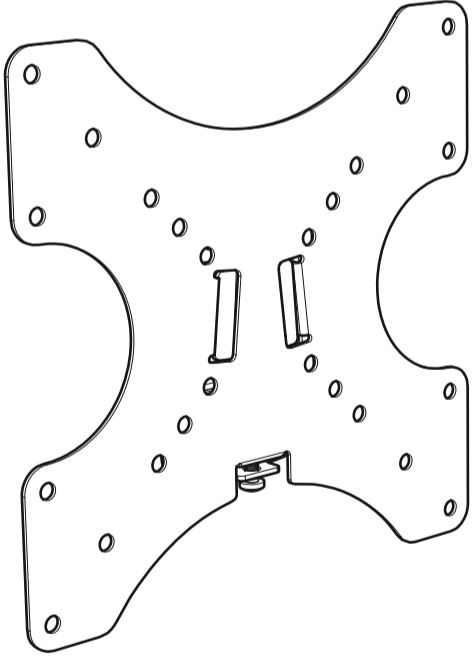


Periodically check all nuts and bolts are tight.
 AVF accept no responsibility for any damage or loss caused by installing this product in a sub standard wall.
 It is the responsibility of the installer to ensure that the mounting wall is of a suitable standard and void of any services (eg gas, electricity, water etc).
 This product is intended for indoor use only. Use of this product outdoors could lead to failure and personal injury.
 You will not need all these parts, so expect there to be some left over depending upon the specification of your TV.
 Contents may vary from photography/illustrations.
 Retain all packaging in case the bracket needs to be returned.

Tools Recommended

Material compatibility icons: Wood (Ø3mm (1/8")), Plaster (Ø8mm (5/16"))

468361 rev00



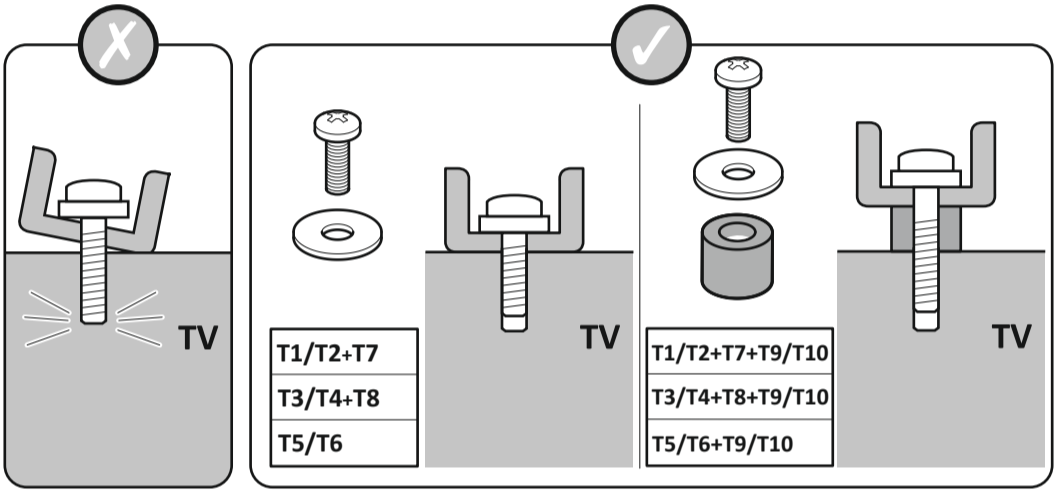
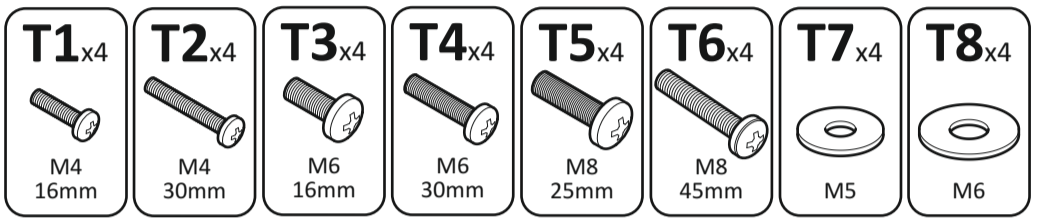
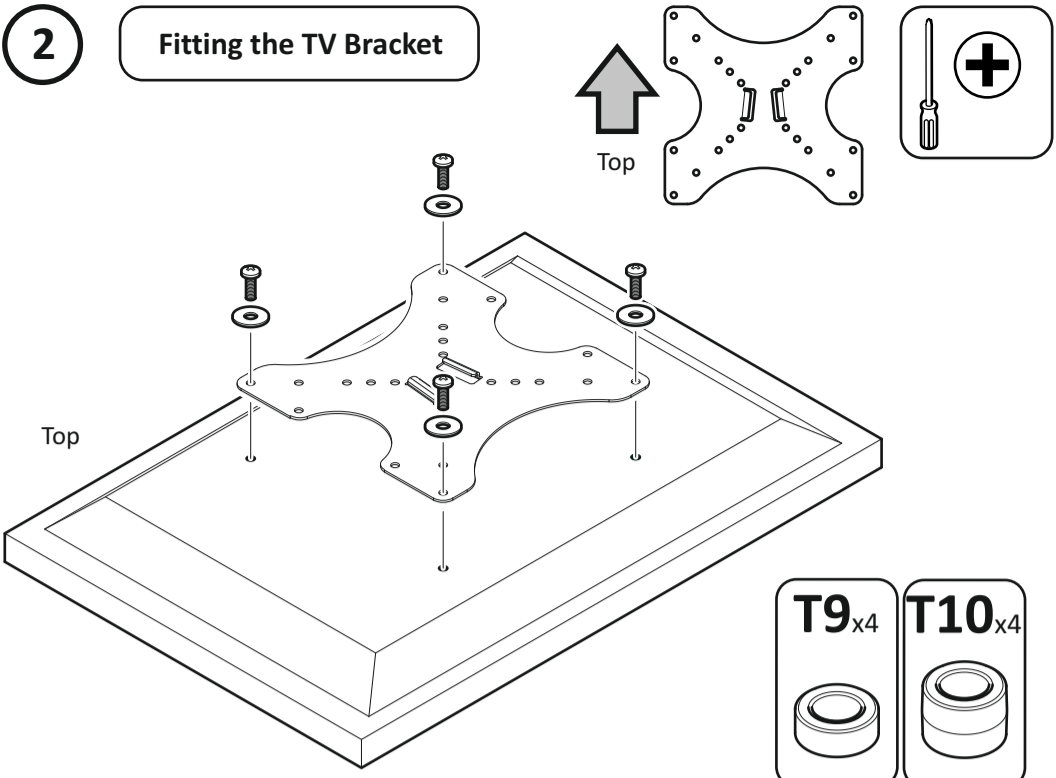
**33lbs
15kg**

STOP Read through **ALL** instructions before commencing installation.

Please don't return me to the store
 If you are unsure or need advice please contact our support team:
0333 320 0463 or **avfgroup.com**
 Phone lines open Mon-Fri during AVF office hours

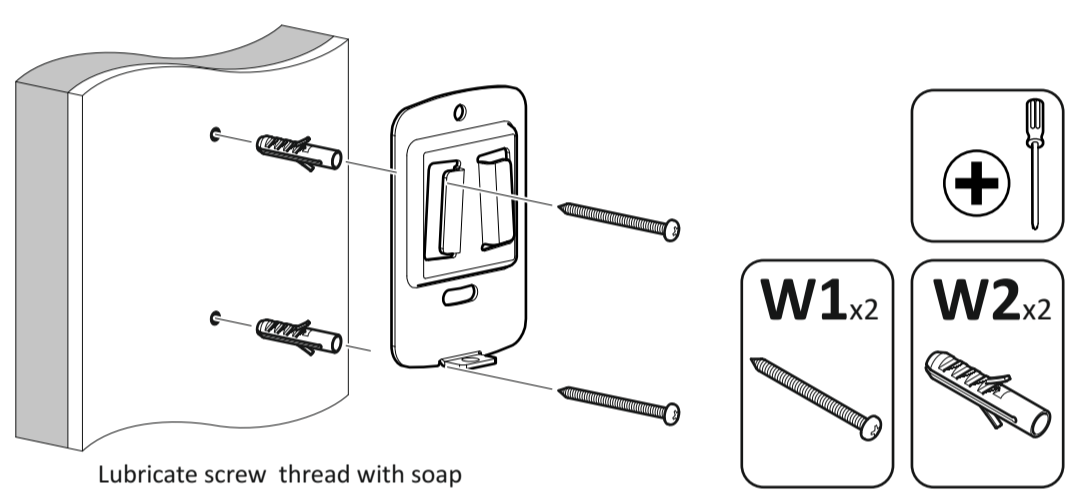
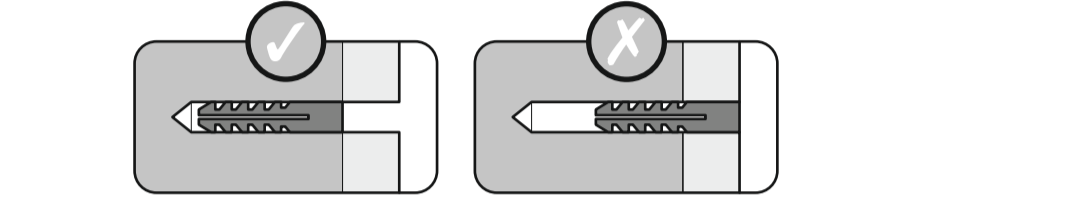
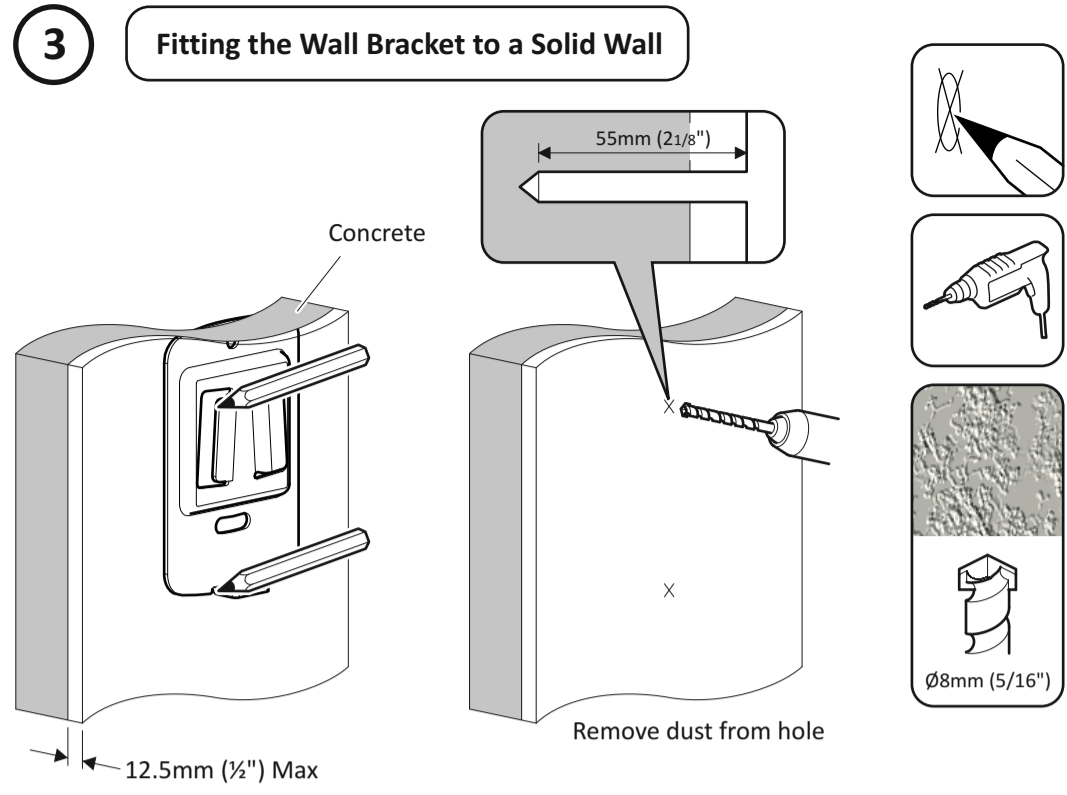
2

Fitting the TV Bracket



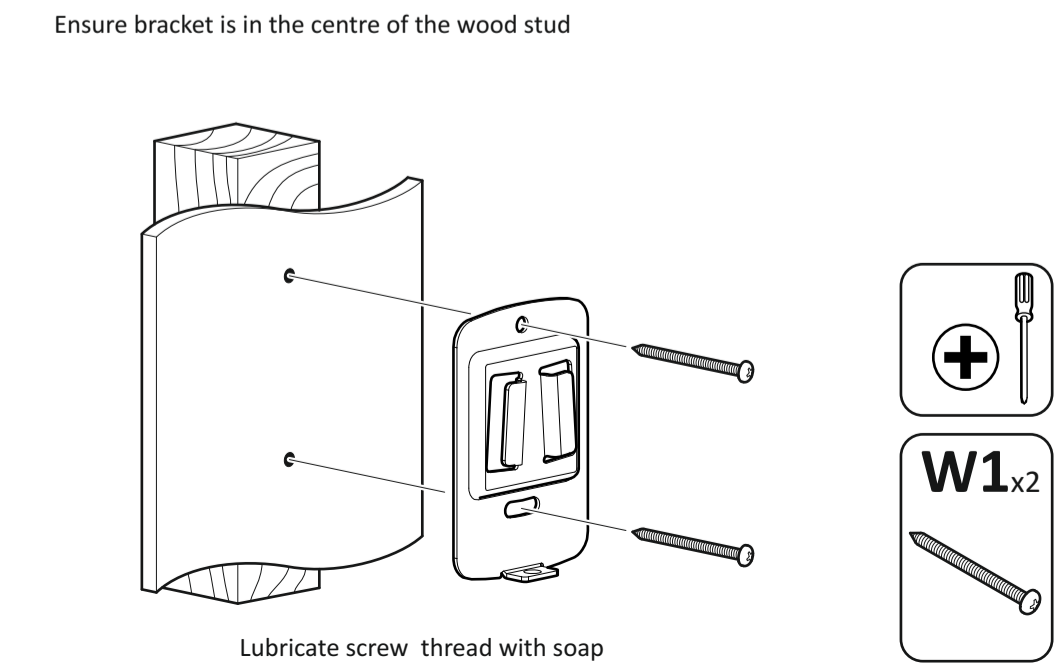
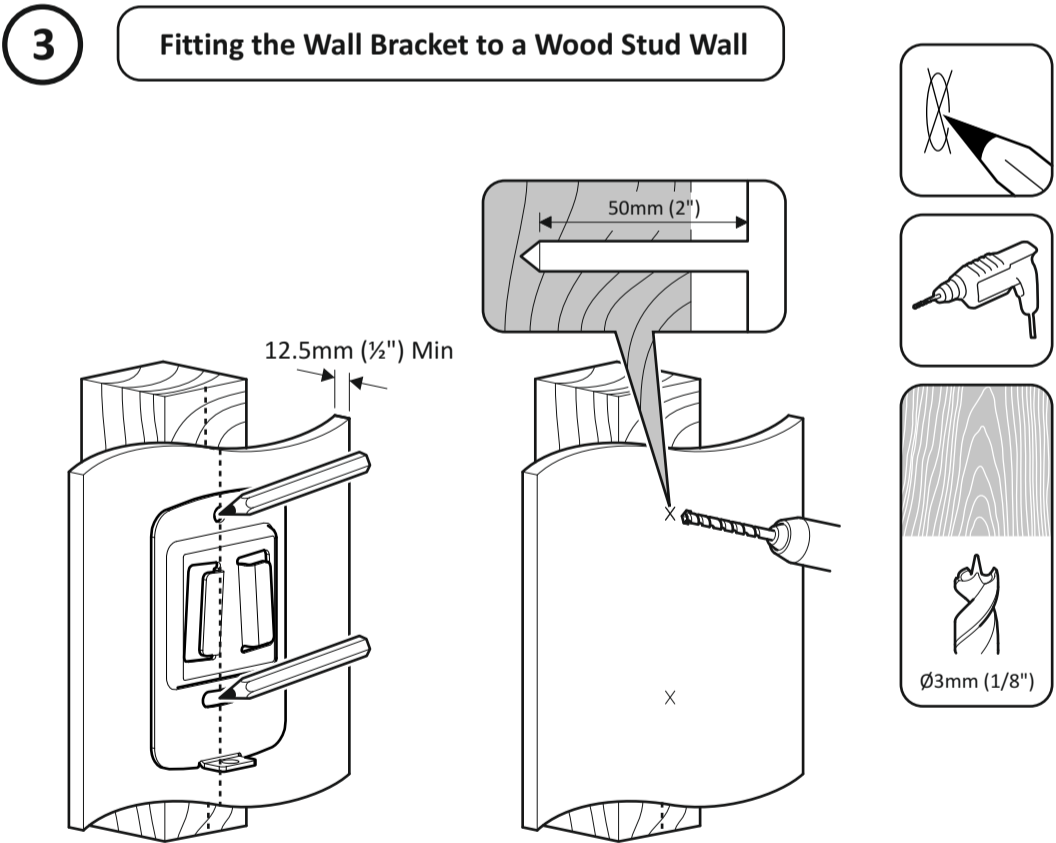
3

Fitting the Wall Bracket to a Solid Wall



3

Fitting the Wall Bracket to a Wood Stud Wall



4

Connecting the TV

