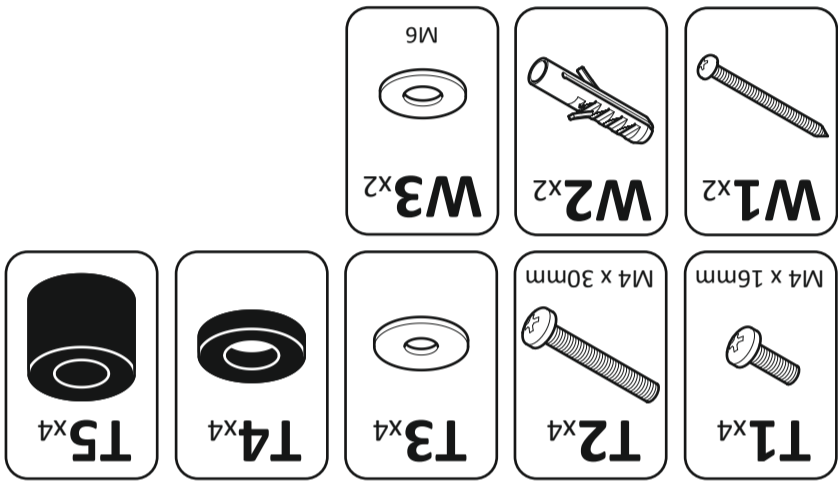


**1 Separating the Brackets**

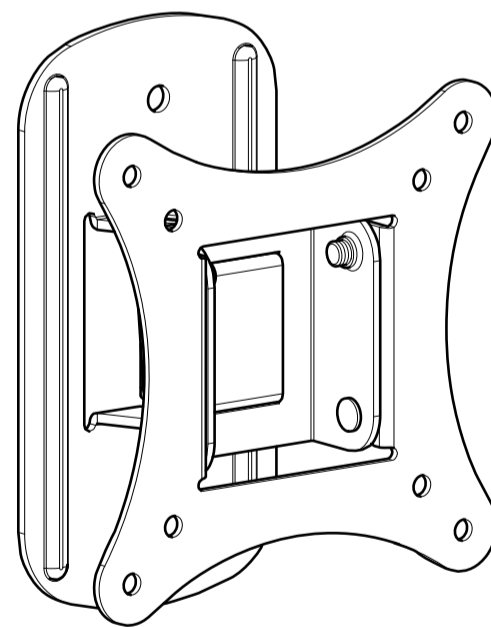
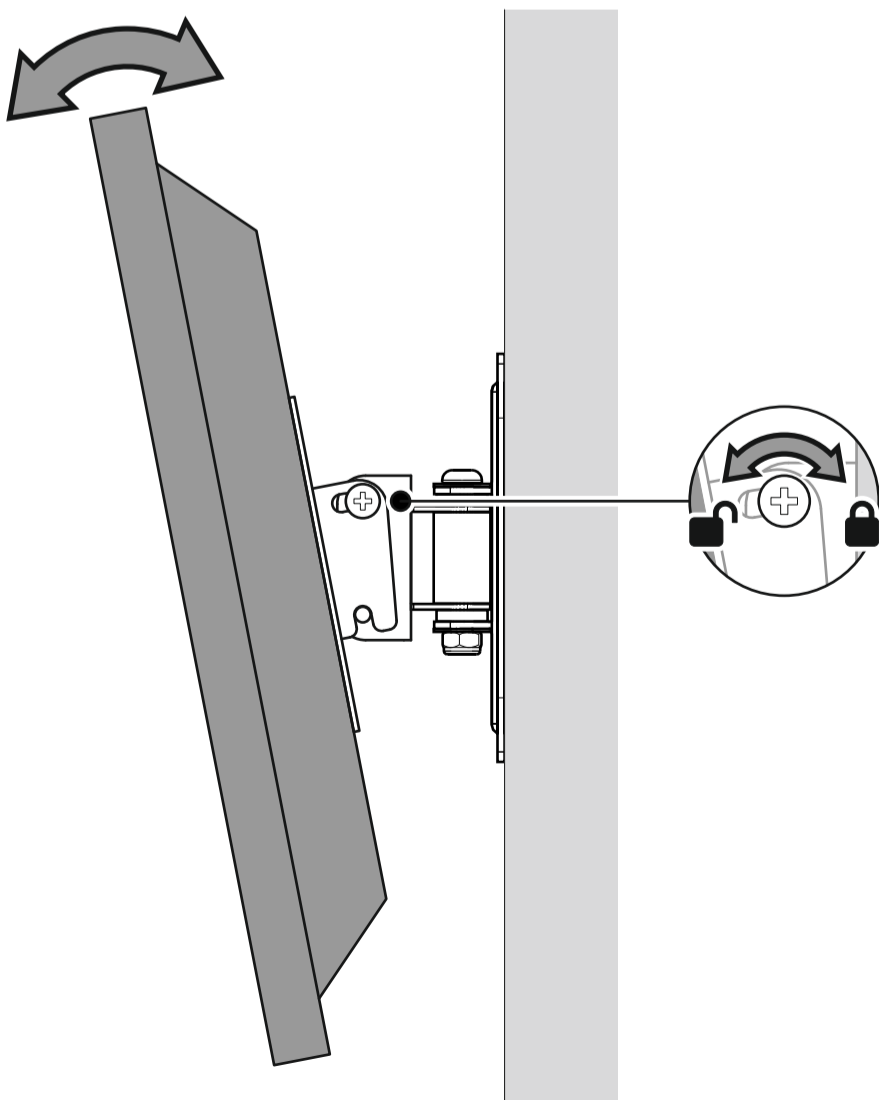
1

**Boxed Parts**



5

**Optional - Lock Tilt**



**22lbs  
10kg**



Read through **ALL** instructions before commencing installation.

**Please don't return me to the store**

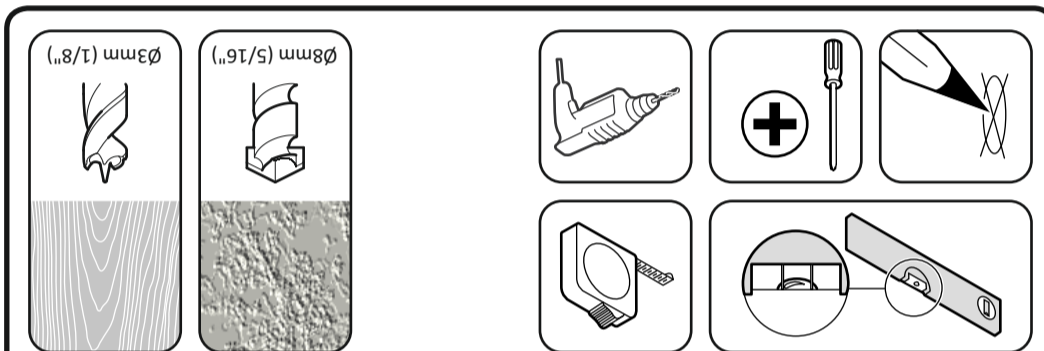
If you are unsure or need advice please contact our support team:

**0333 320 0463 or avfgroup.com**

Phone lines open Mon-Fri during AVF office hours



**Tools Recommended**



Retain all packaging in case the bracket needs to be returned.

Contents may vary from photography/illustrations.

You will not need all these parts, so expect there to be some left over depending upon the specification of your TV.

This product is intended for indoor use only. Use of this product outdoors could lead to failure and personal injury.

It is the responsibility of the installer to ensure that the mounting wall is of a suitable standard and void of any services (eg gas, electricity, water etc).

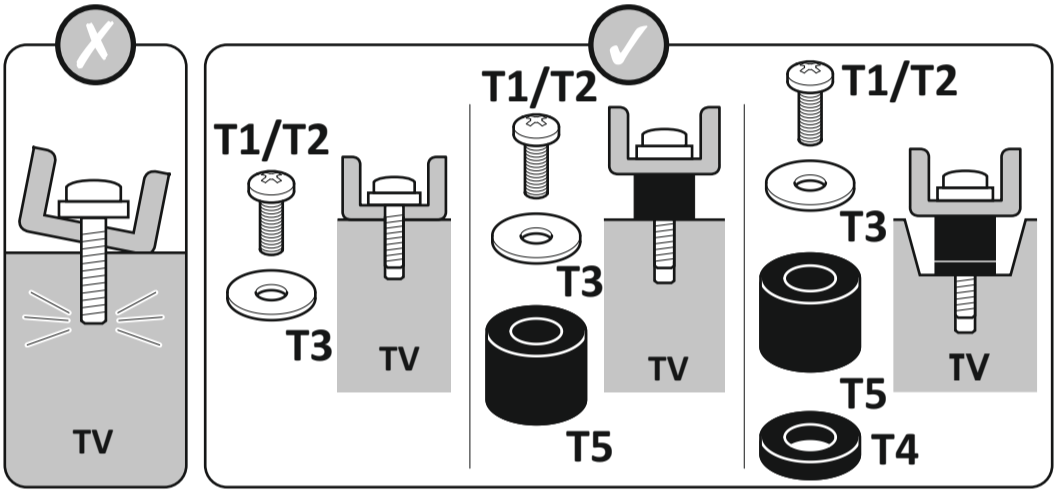
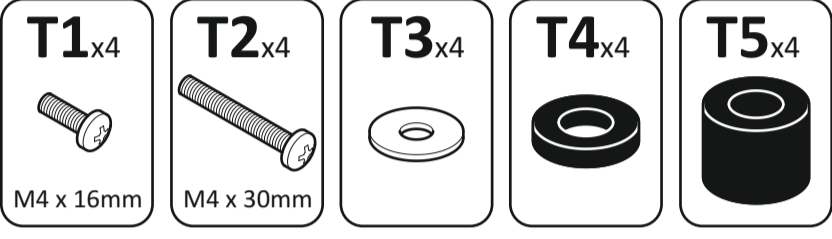
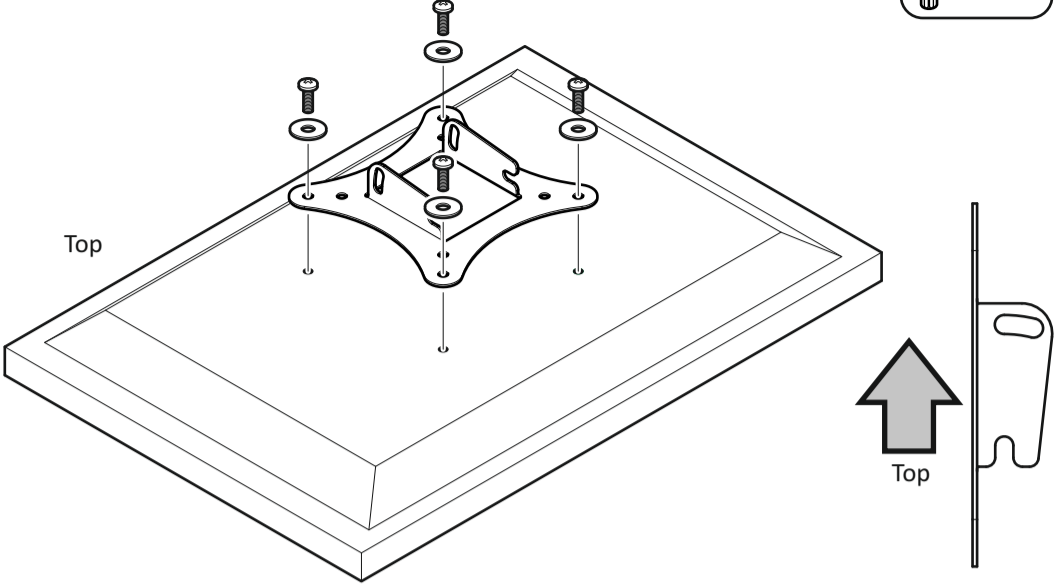
AVF accept no responsibility for any damage or loss caused by installing this product in a sub standard wall.

Periodically check all nuts and bolts are tight.

**468359 rev00**

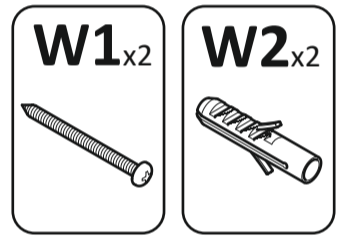
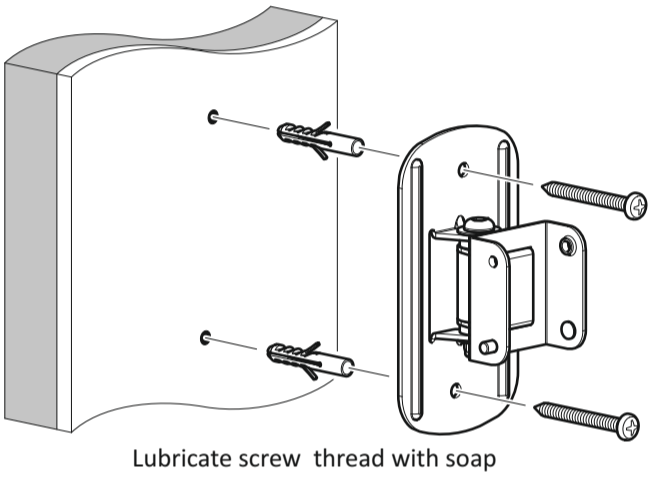
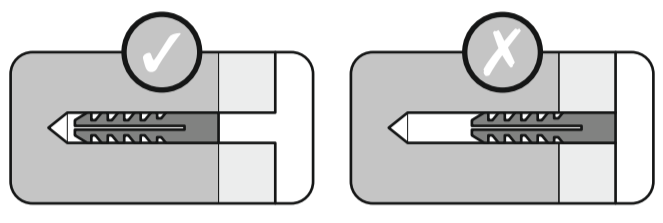
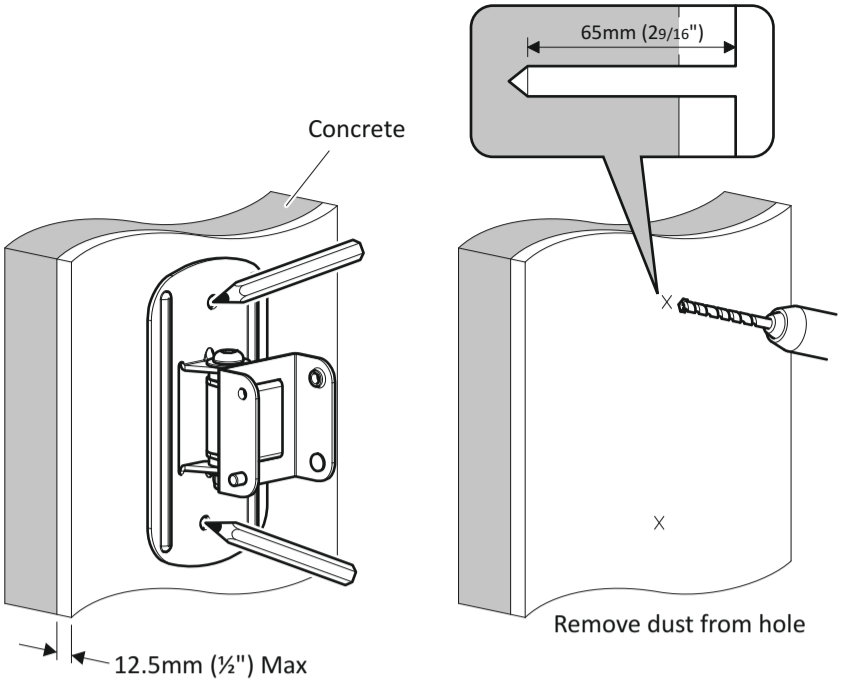
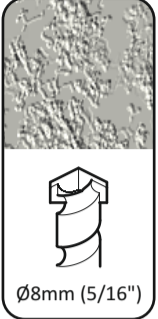
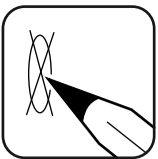
2

Fitting the TV Bracket



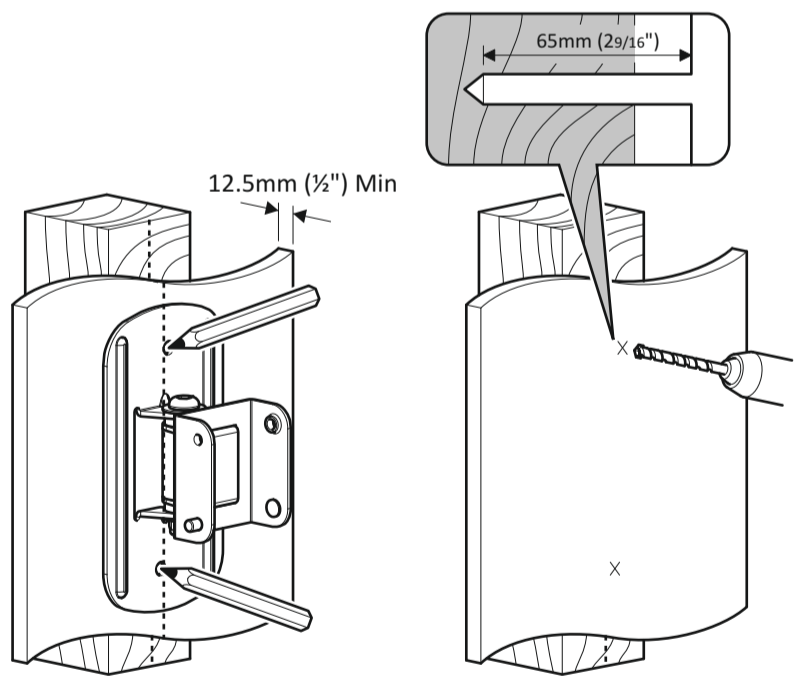
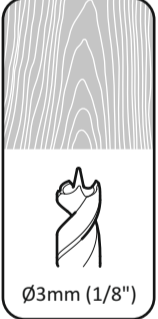
3

Fitting the Wall Bracket to a Solid Wall

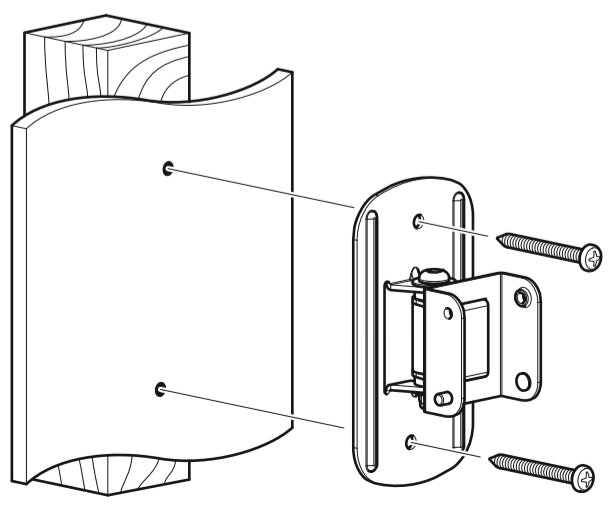


3

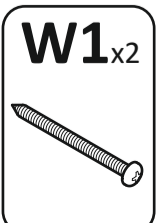
Fitting the Wall Bracket to a Wood Stud Wall



Ensure bracket is in the centre of the wood stud



Lubricate screw thread with soap



4

Connecting the TV

