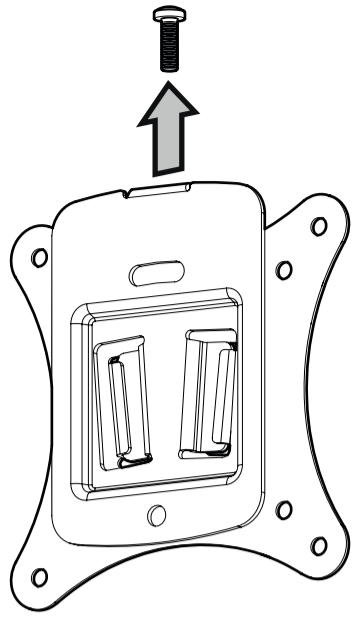


Remove and safely keep for step 5

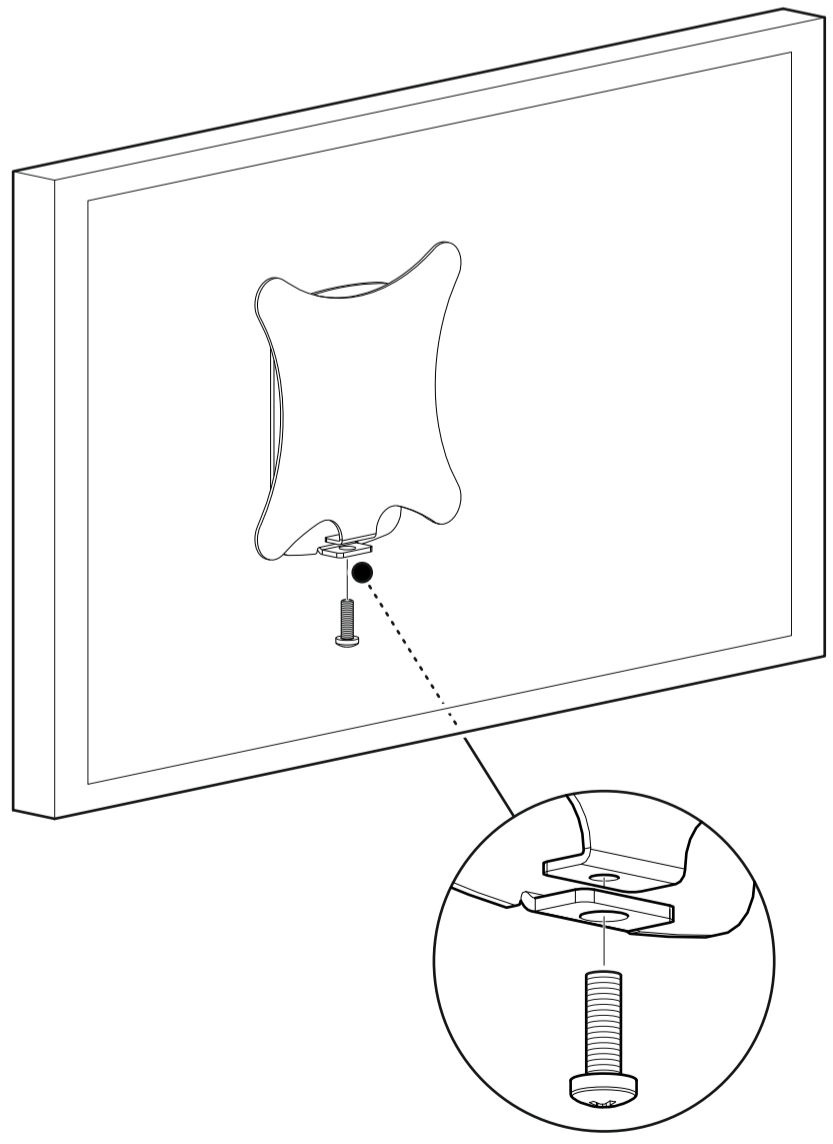


1 Separating the Brackets

Boxed Parts

T5 x4	T4 x4	T3 x4	T2 x4	T1 x4
W3 x2	W2 x2	W1 x2	M4 x 30mm	M4 x 16mm
M6				

5 Securing the TV



You will not need all these parts, so expect there to be some left over depending upon the specification of your TV.
 This product is intended for indoor use only. Use of this product outdoors could lead to failure and personal injury.
 It is the responsibility of the installer to ensure that the mounting wall is of a suitable standard and void of any services (eg gas, electricity, water etc).
 AVF accept no responsibility for any damage or loss caused by installing this product in a sub standard wall.
 Periodically check all nuts and bolts are tight.

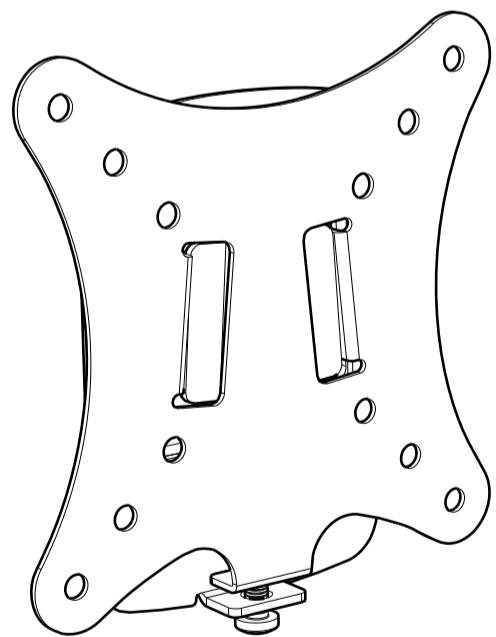
Contents may vary from photography/illustrations.
 Retain all packaging in case the bracket needs to be returned.

Tools Recommended

Icons for wall types: wood grain and textured wall.

Icons for hole sizes: Ø8mm (5/16") and Ø3mm (1/8").

468358 rev00



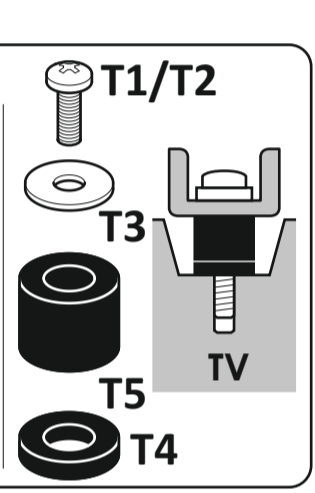
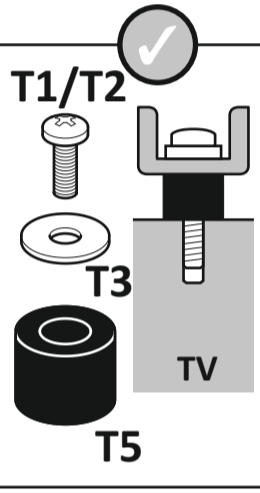
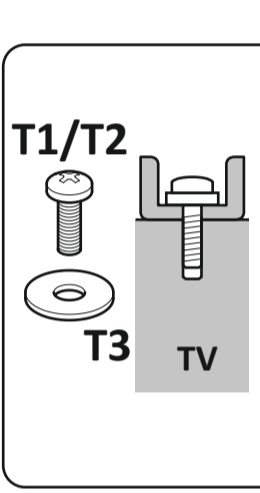
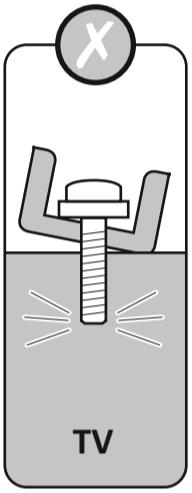
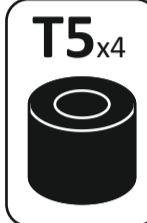
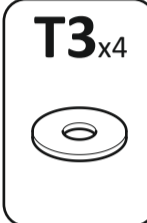
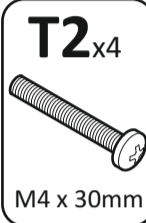
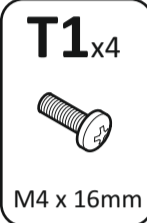
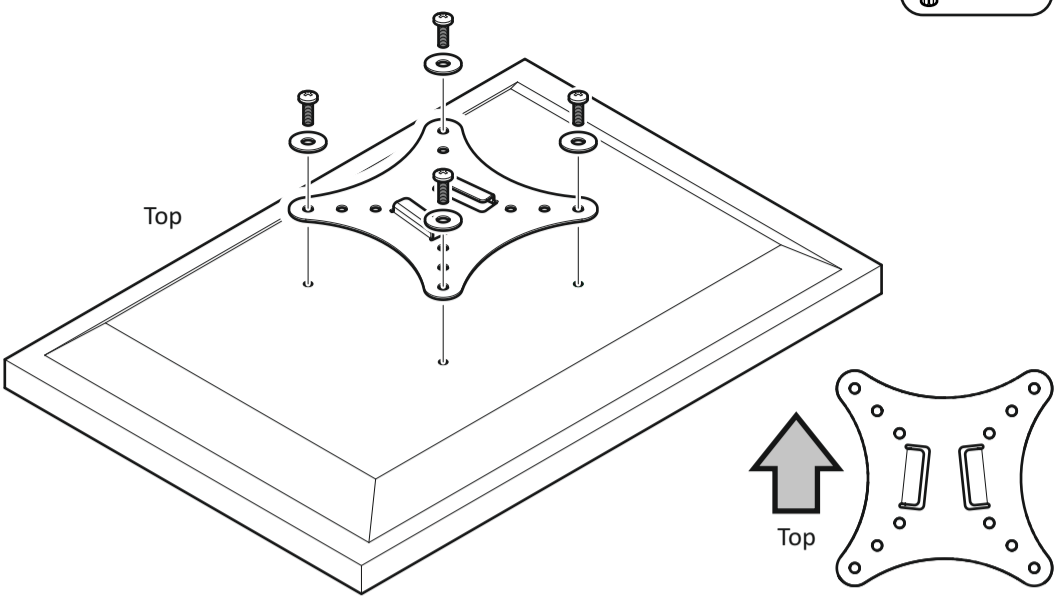
**22lbs
10kg**

STOP Read through ALL instructions before commencing installation.

Please don't return me to the store
 If you are unsure or need advice please contact our support team:
0333 320 0463 or **avfgroup.com**
 Phone lines open Mon-Fri during AVF office hours

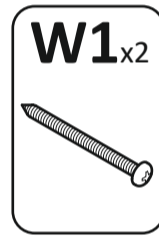
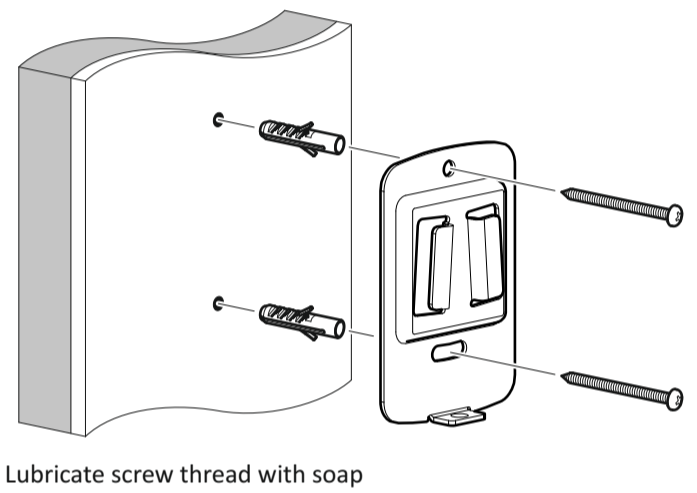
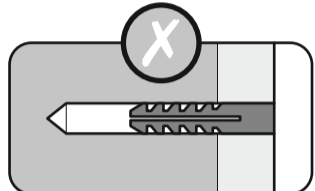
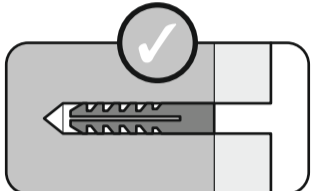
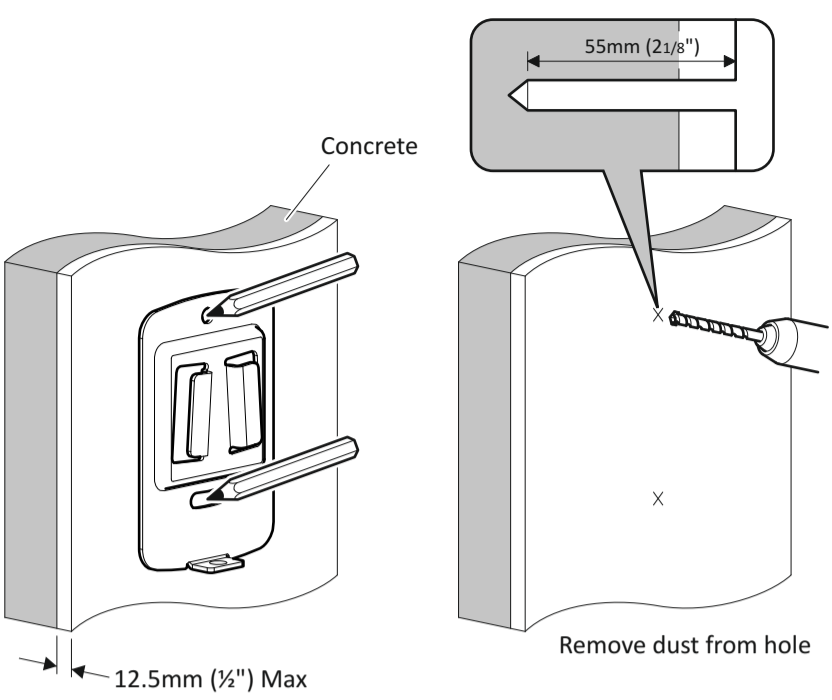
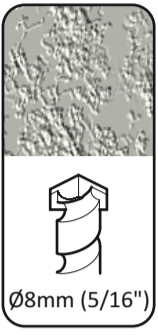
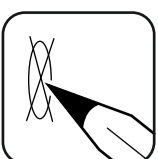
2

Fitting the TV Bracket



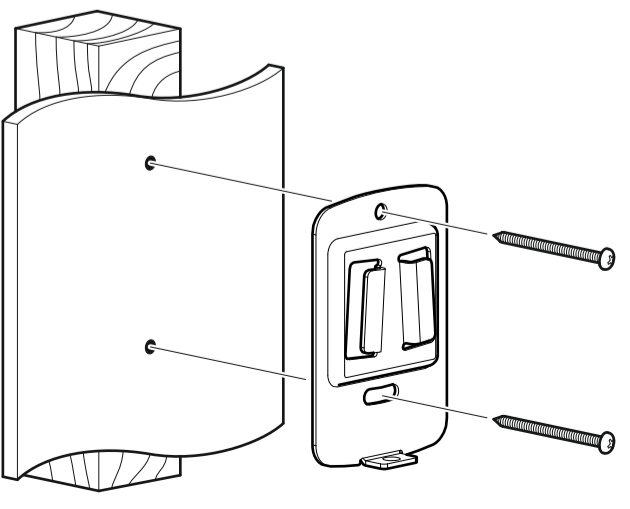
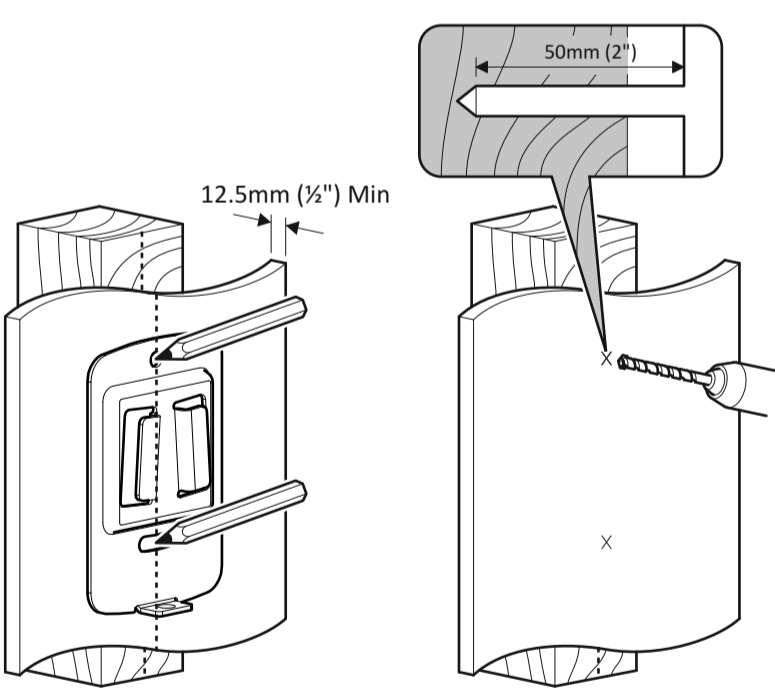
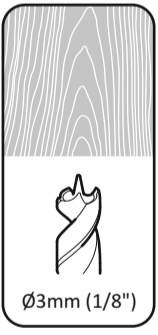
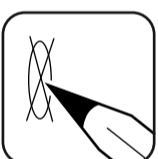
3

Fitting the Wall Bracket to a Solid Wall



3

Fitting the Wall Bracket to a Wood Stud Wall



4

Connecting the TV

