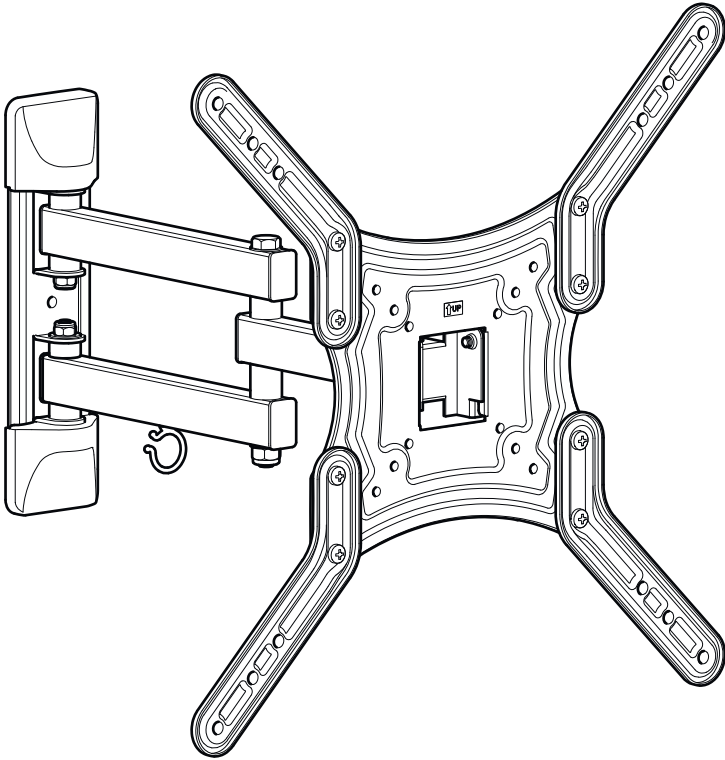


# PULSE

TV Wall Mount Multi Position 26" to 55"  
Model: PLS440Q



[www.pulse-audio.co.uk](http://www.pulse-audio.co.uk)

30kg  
66lbs



Read through ALL instructions before commencing installation.

Retain all packaging in case the bracket needs to be returned.

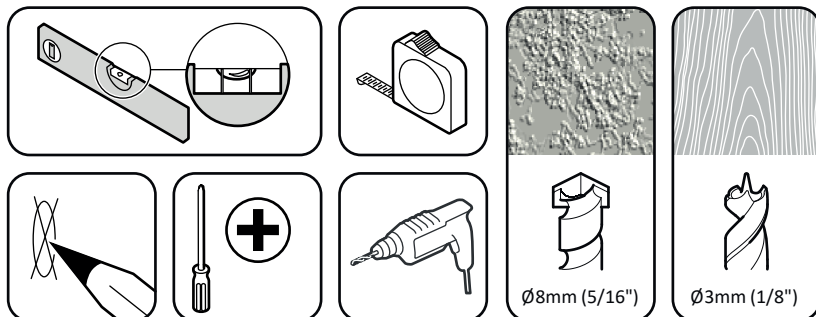
Contents may vary from photography/illustrations.

You will not need all these parts, so expect there to be some left over depending upon the specification of your TV.

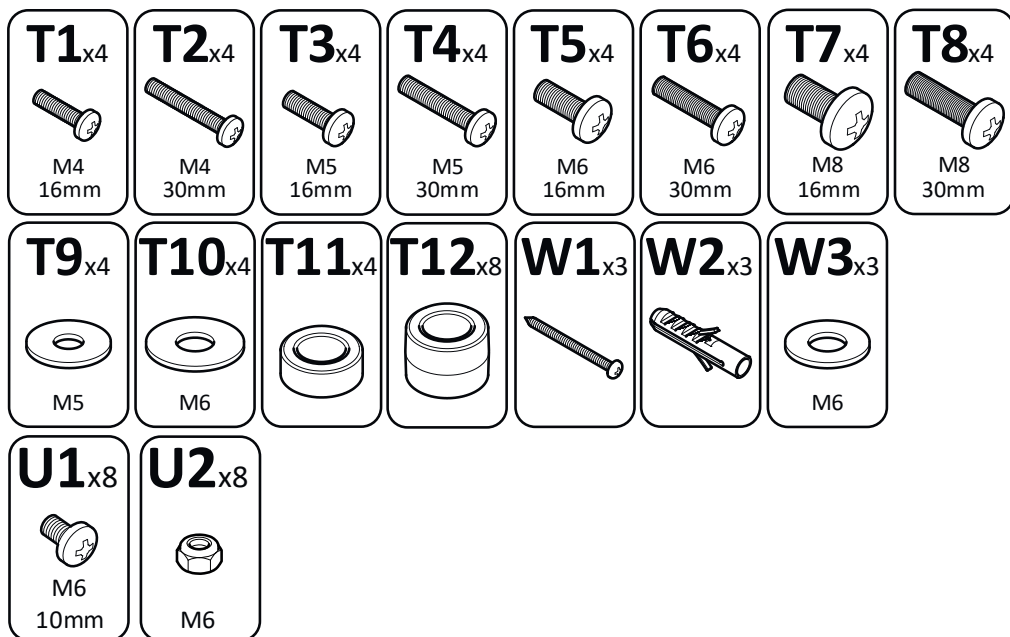
This product is intended for indoor use only. Use of this product outdoors could lead to failure and personal injury.

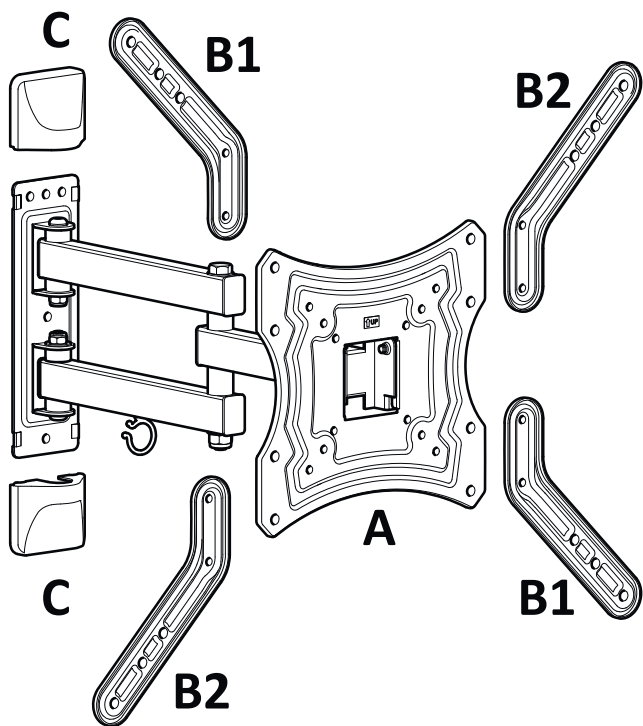
It is the responsibility of the installer to ensure that the mounting wall is of a suitable standard and void of any services (eg gas, electricity, water etc).

## Tools Recommended



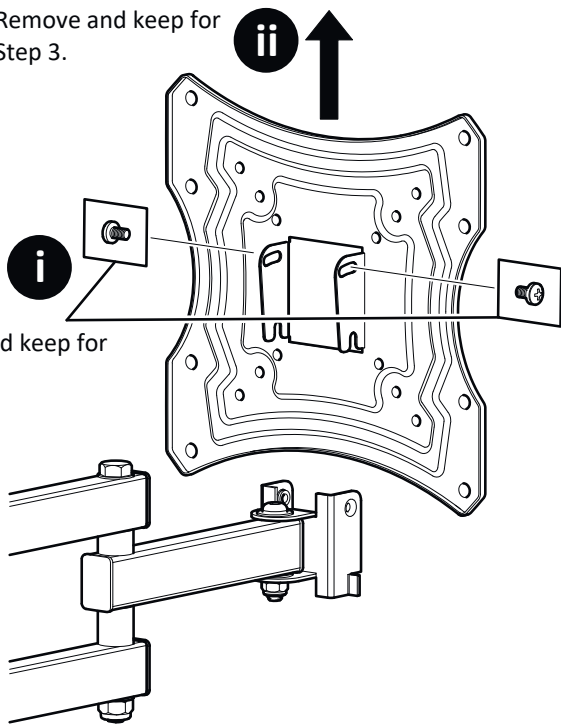
## Boxed Parts





**1**

Remove and keep for Step 3.



Remove and keep for Step 7.

# 2

## OPTION 1

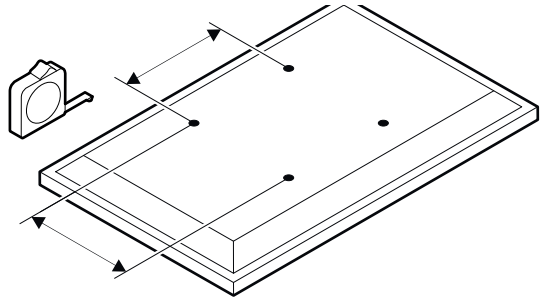
75 x 75mm, 100 x 100mm,  
200 x 100mm, 200 x 200mm

## OPTION 2

400 x 200mm

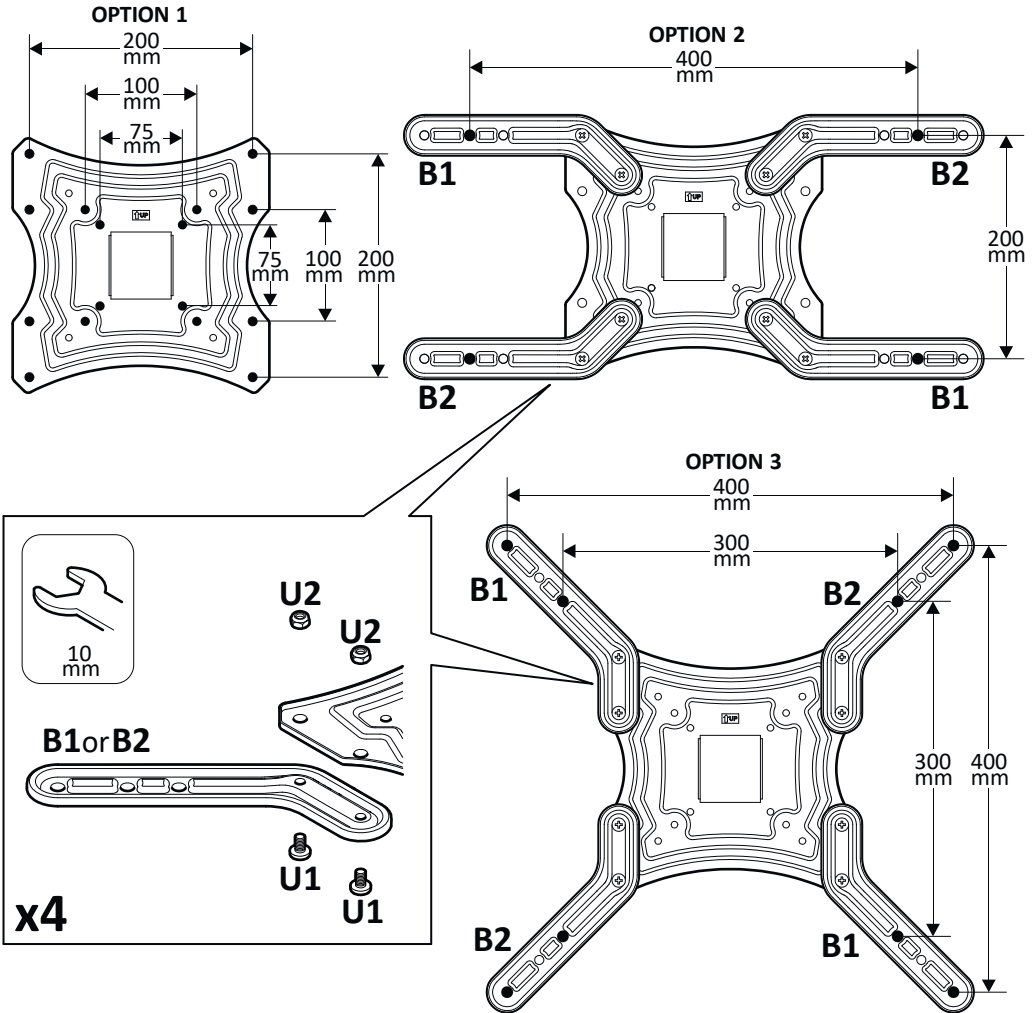
## OPTION 3

300 x 300mm, 400 x 400mm

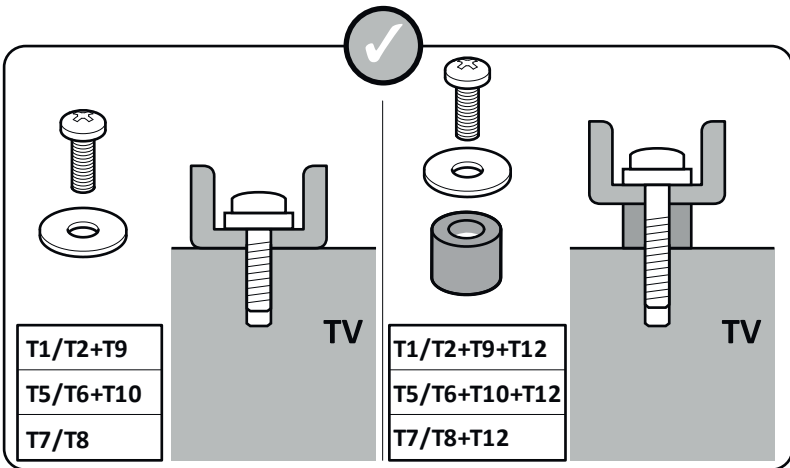
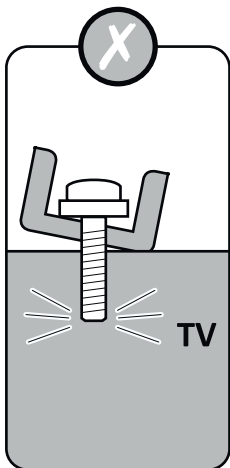
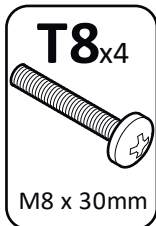
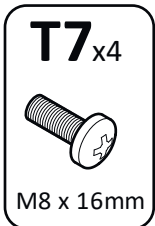
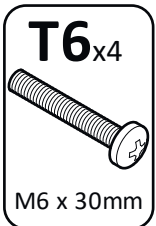
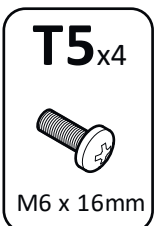
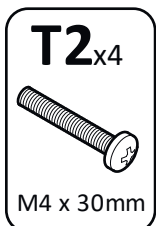
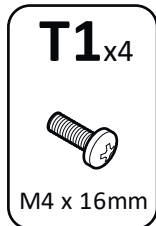
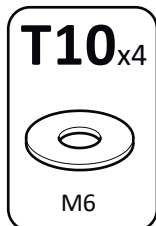
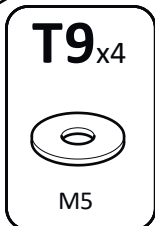
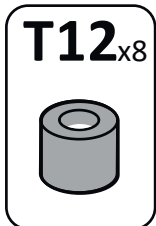
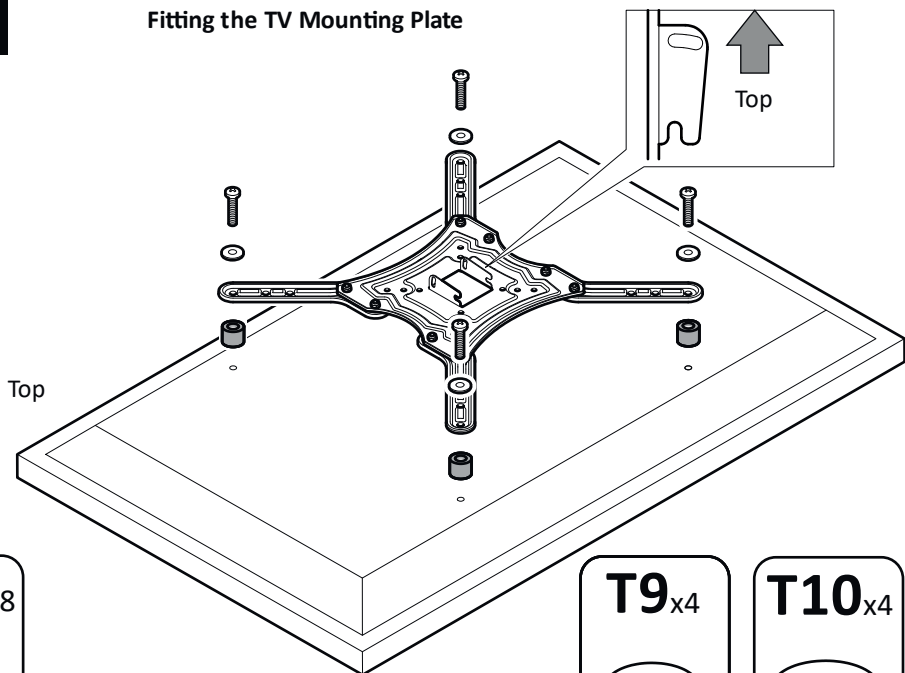


# 3

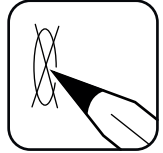
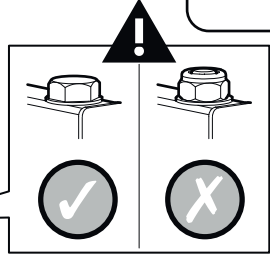
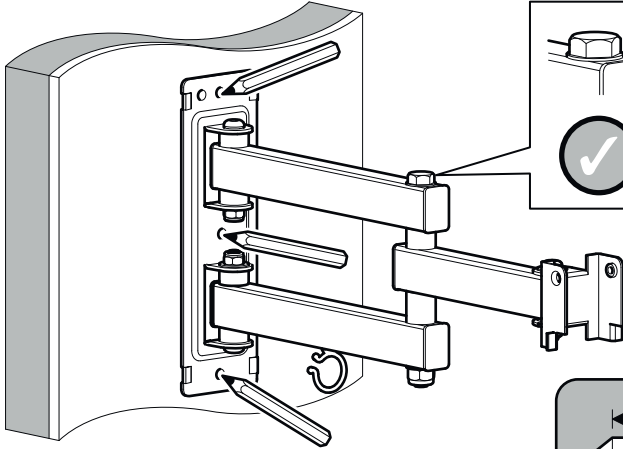
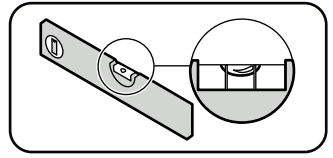
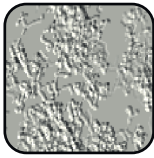
## Preparing the TV Mounting Plate



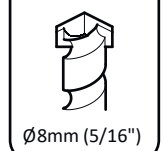
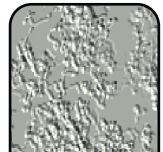
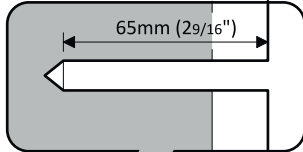
Fitting the TV Mounting Plate



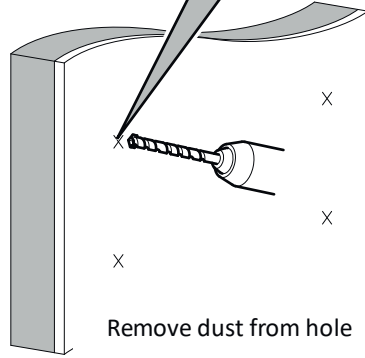
5



Lubricate screw thread with soap




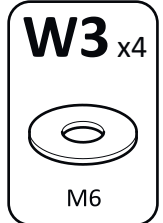
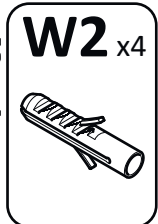
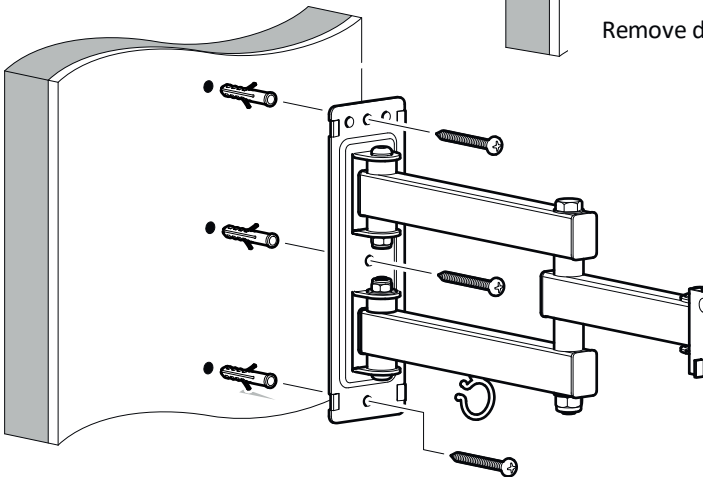
Ø8mm (5/16")



Remove dust from hole

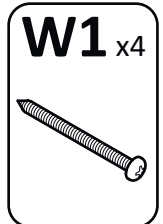


 DO NOT overtighten



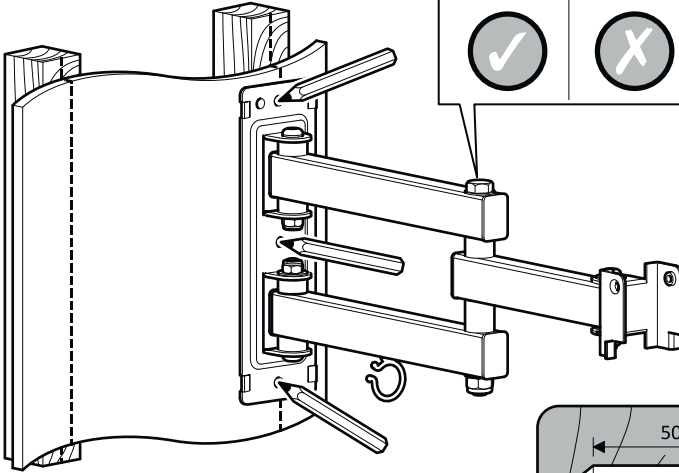
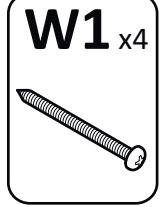
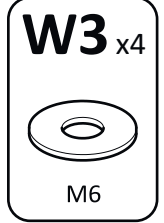
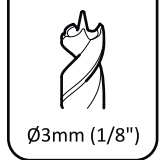
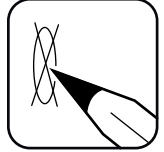
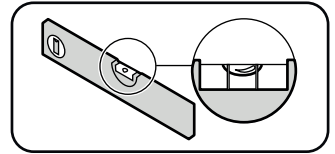
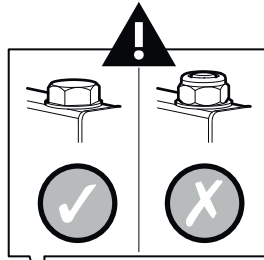
**W3** x4

M6

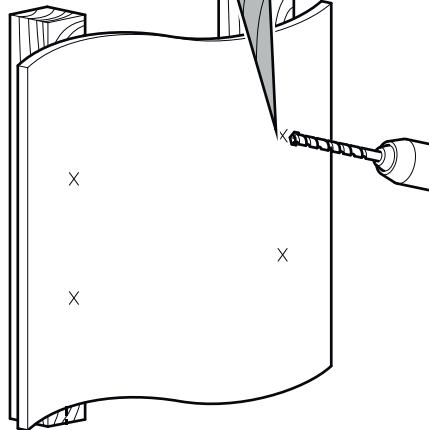
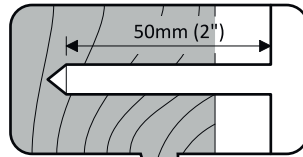


**W1** x4

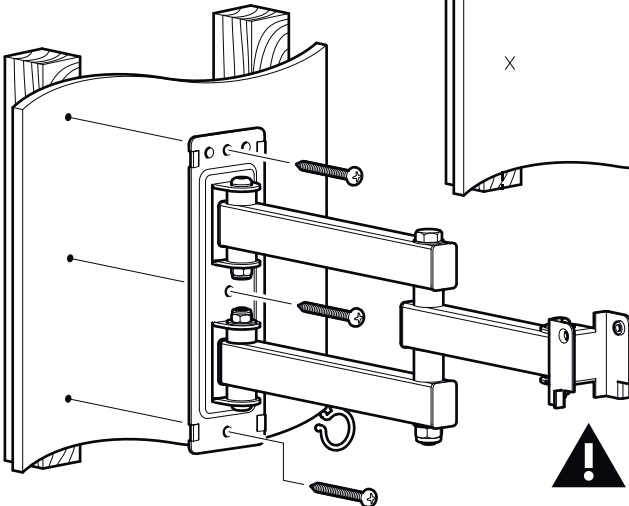
5




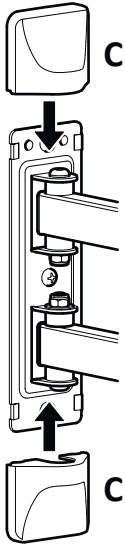
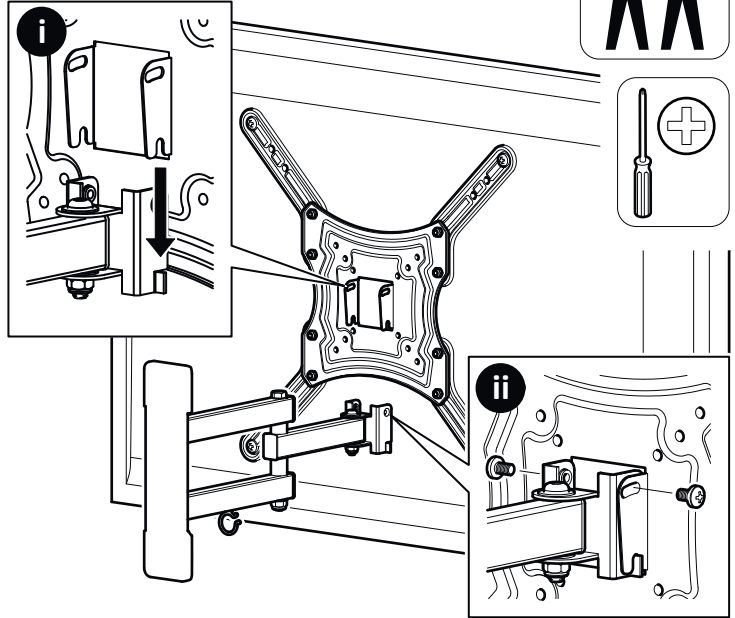
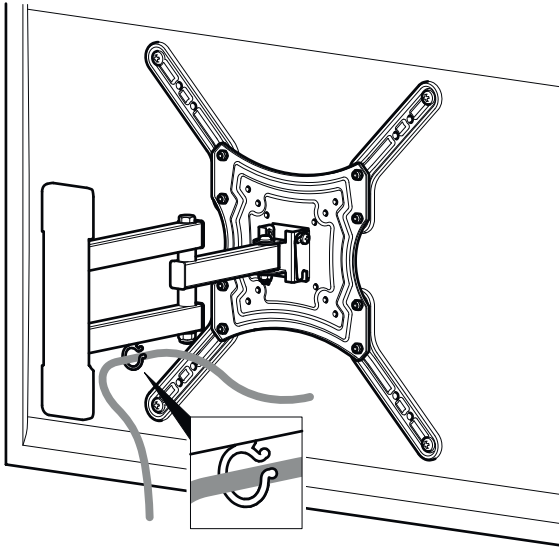
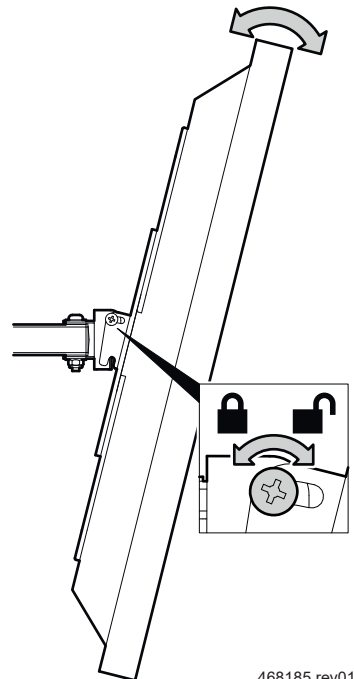
Ensure bracket is in the centre of the wood stud



Lubricate screw thread with soap



 DO NOT overtighten

**6****Fitting the Wall Bracket Covers****7****Connect the TV****8****Cable management****9****Lock tilt****Ensure cables don't restrict arm movement**