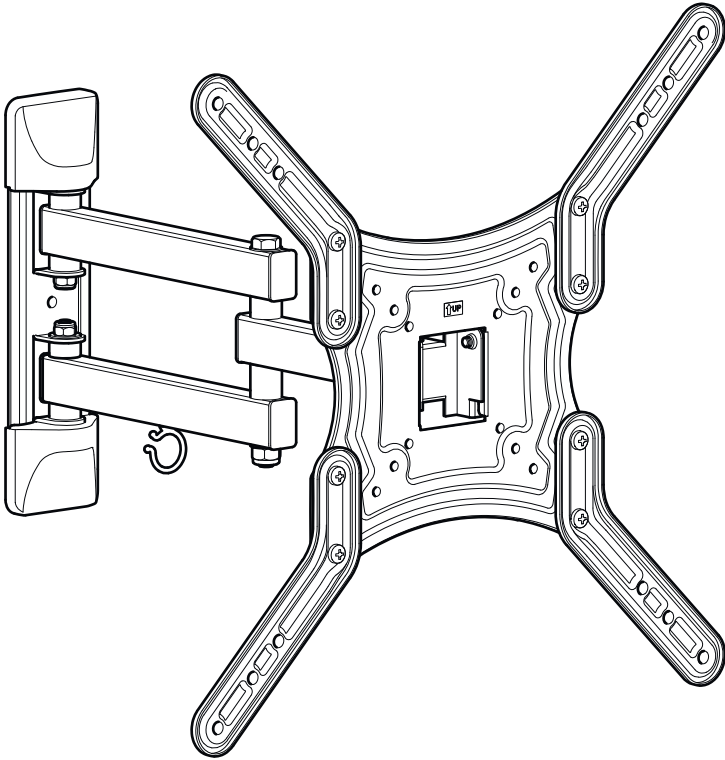


PULSE

TV Wall Mount Multi Position 26" to 55"
Model: PLS440Q



www.pulse-audio.co.uk

30kg
66lbs



Read through ALL instructions before commencing installation.

Retain all packaging in case the bracket needs to be returned.

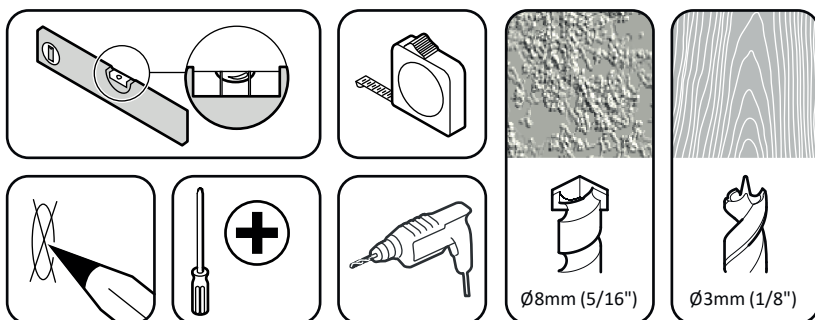
Contents may vary from photography/illustrations.

You will not need all these parts, so expect there to be some left over depending upon the specification of your TV.

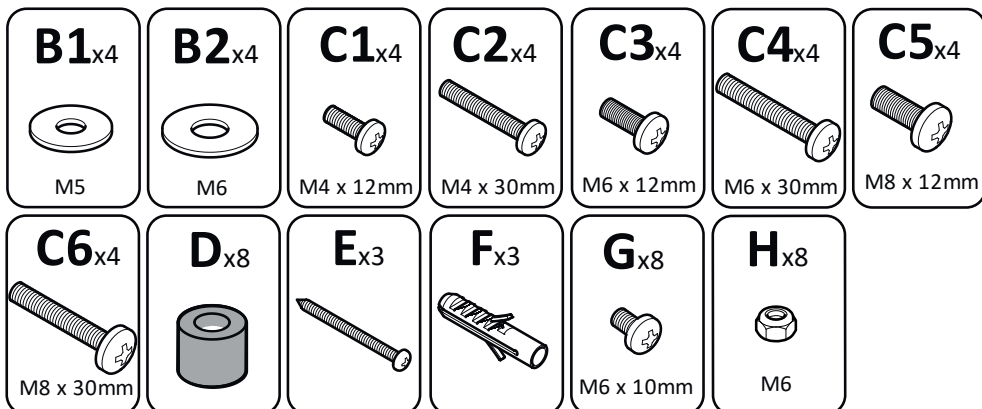
This product is intended for indoor use only. Use of this product outdoors could lead to failure and personal injury.

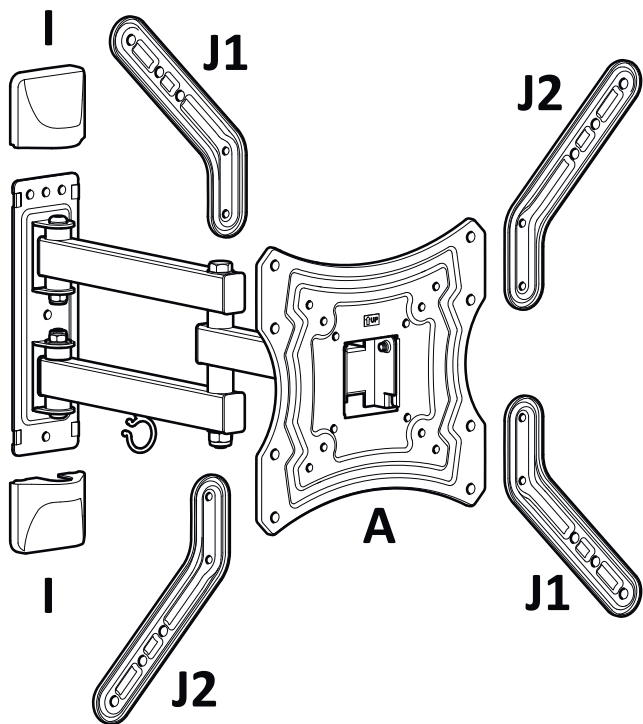
It is the responsibility of the installer to ensure that the mounting wall is of a suitable standard and void of any services (eg gas, electricity, water etc).

Tools Recommended



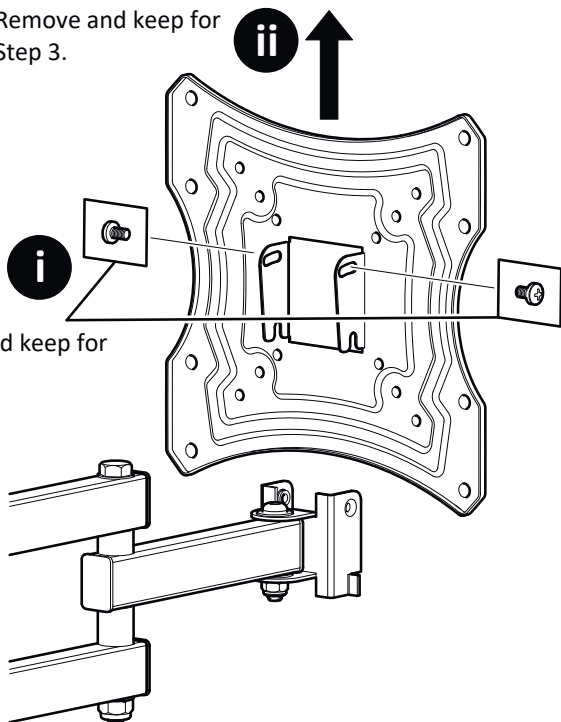
Boxed Parts





1

Remove and keep for Step 3.



Remove and keep for Step 7.

2

OPTION 1

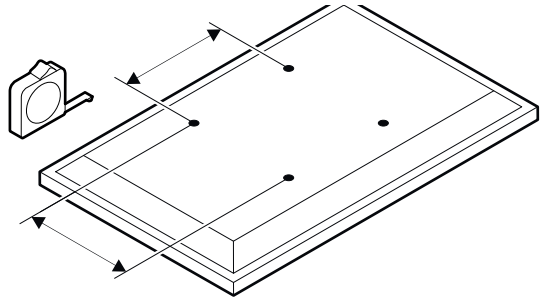
75 x 75mm, 100 x 100mm,
200 x 100mm, 200 x 200mm

OPTION 2

400 x 200mm

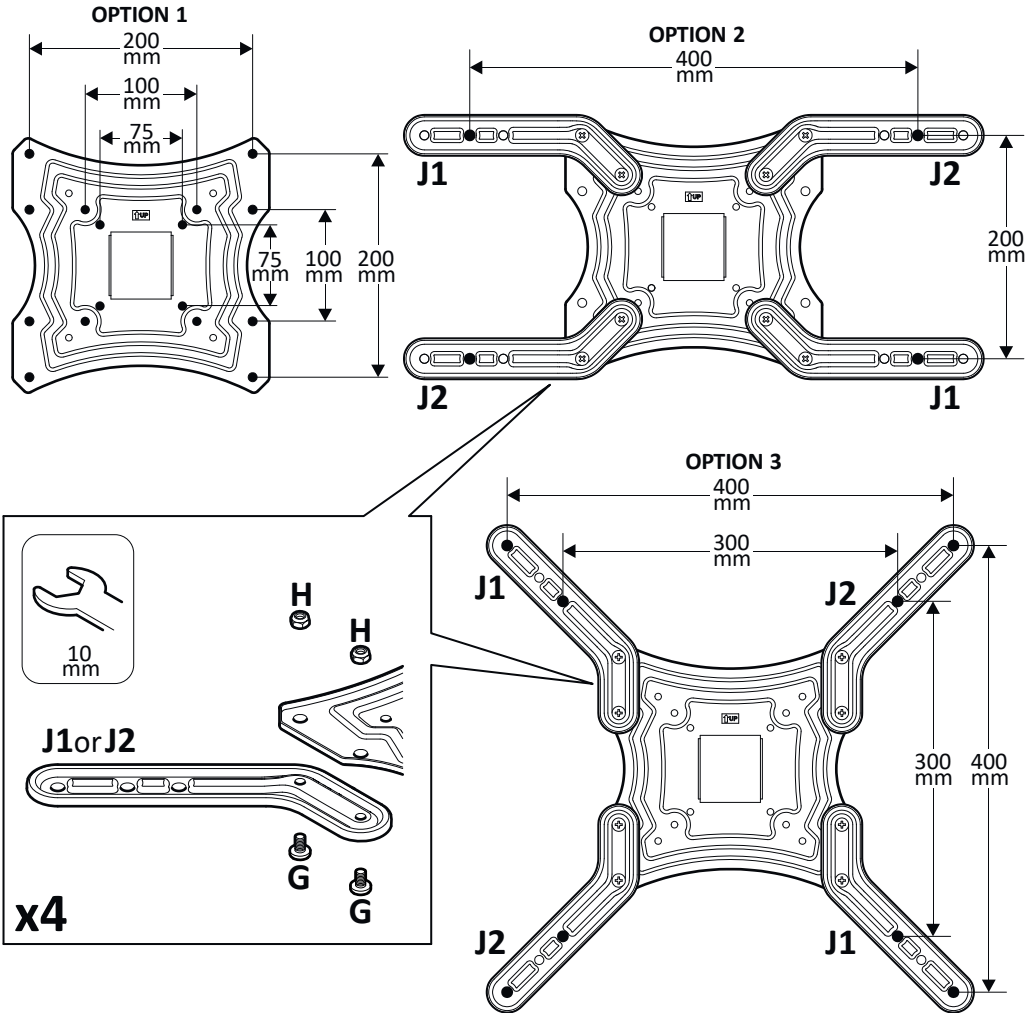
OPTION 3

300 x 300mm, 400 x 400mm

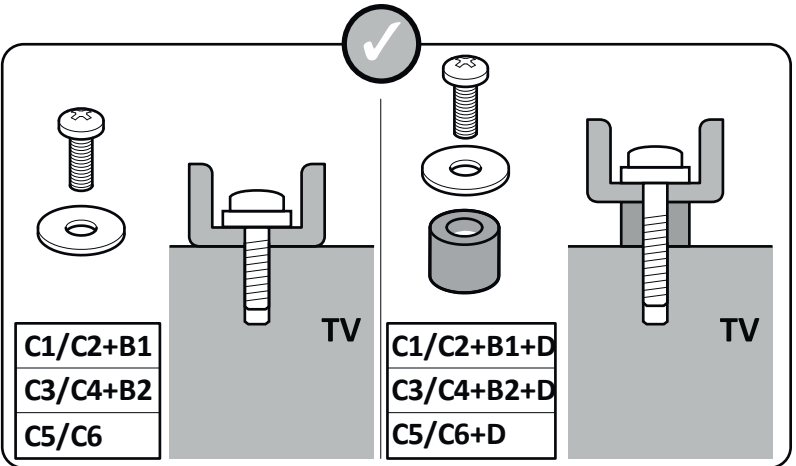
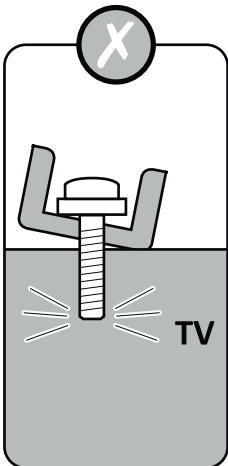
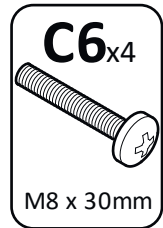
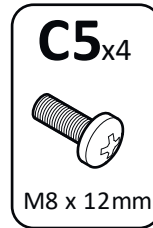
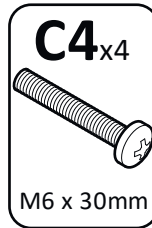
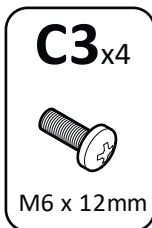
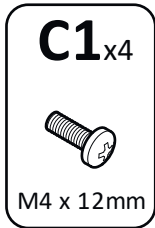
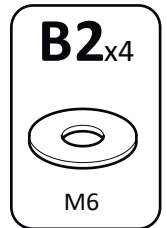
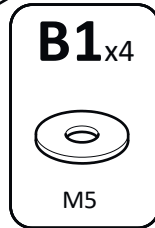
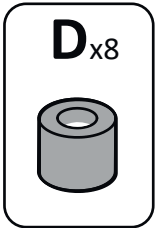
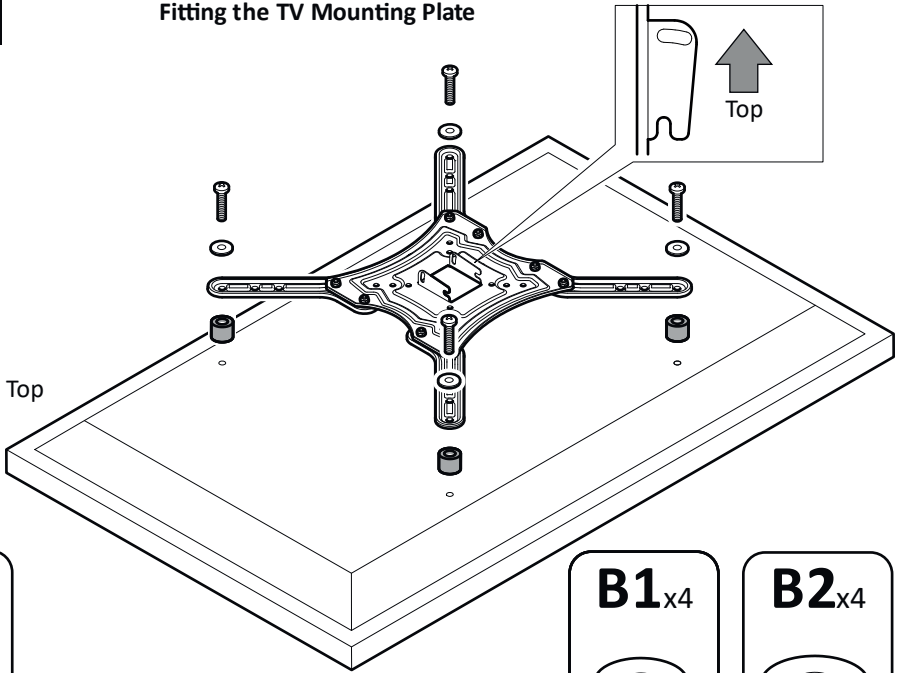


3

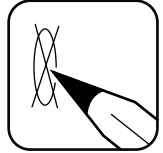
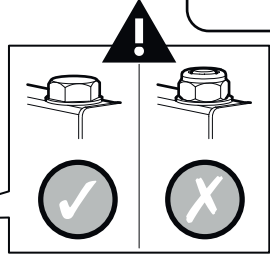
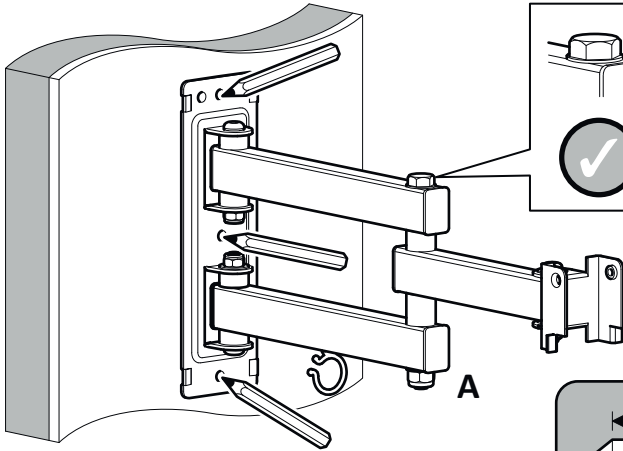
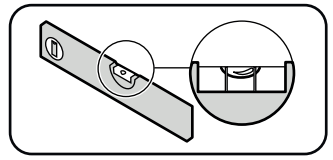
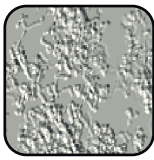
Preparing the TV Mounting Plate



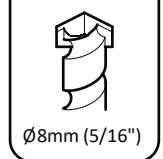
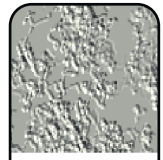
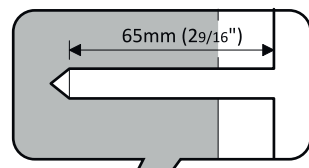
Fitting the TV Mounting Plate



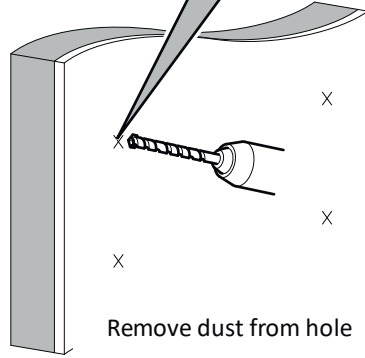
5



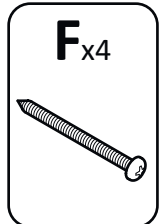
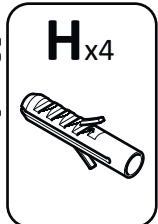
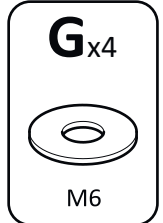
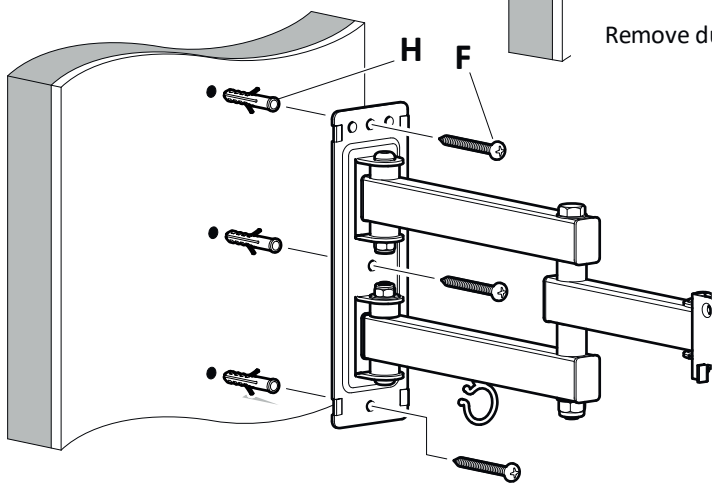
Lubricate screw thread with soap



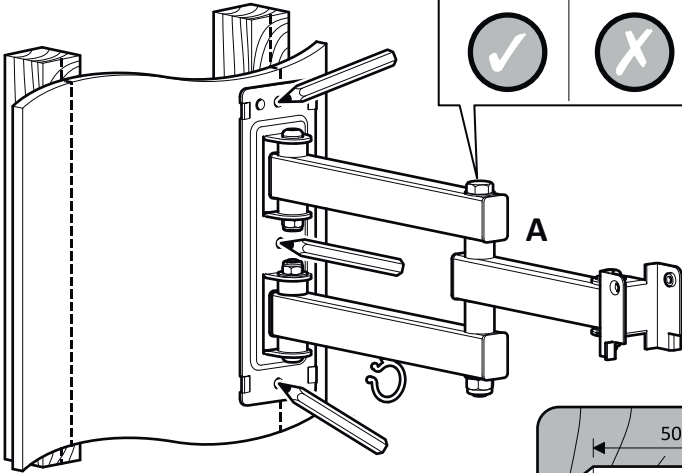
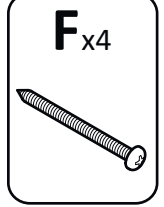
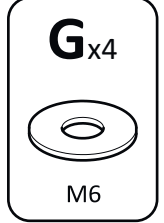
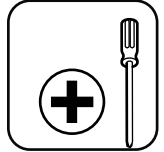
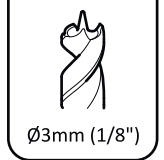
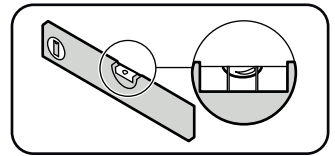
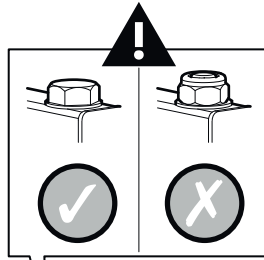
! DO NOT overtighten



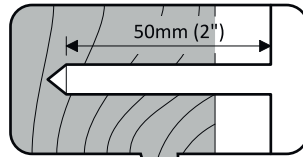
Remove dust from hole



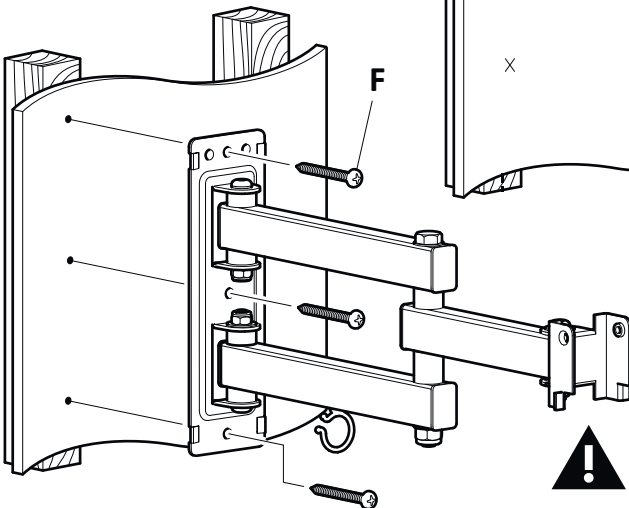
5




Ensure bracket is in the centre of the wood stud



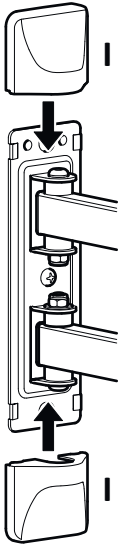
Lubricate screw thread with soap



 DO NOT overtighten

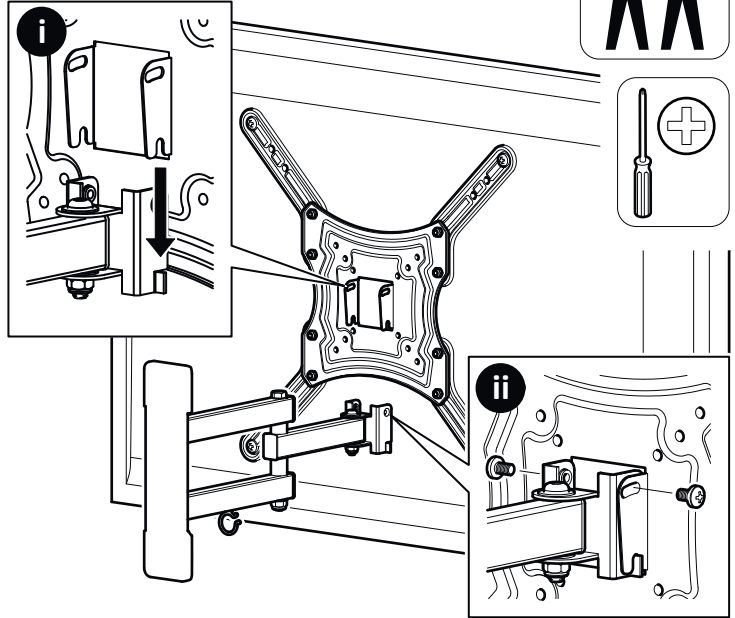
6

Fitting the Wall Bracket Covers



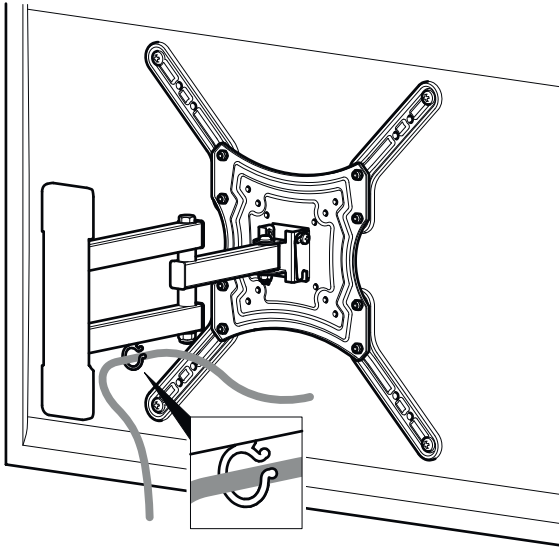
7

Connect the TV



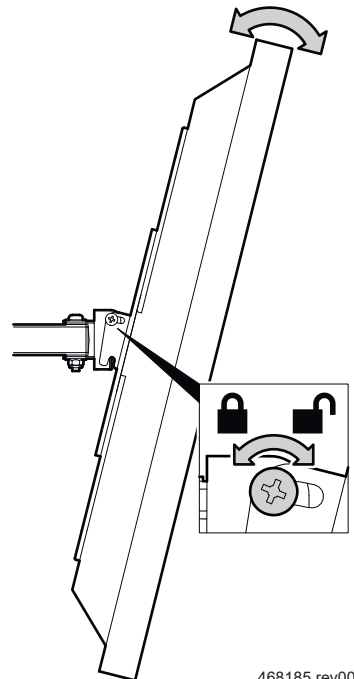
8

Cable management



9

Lock tilt



Ensure cables don't restrict arm movement