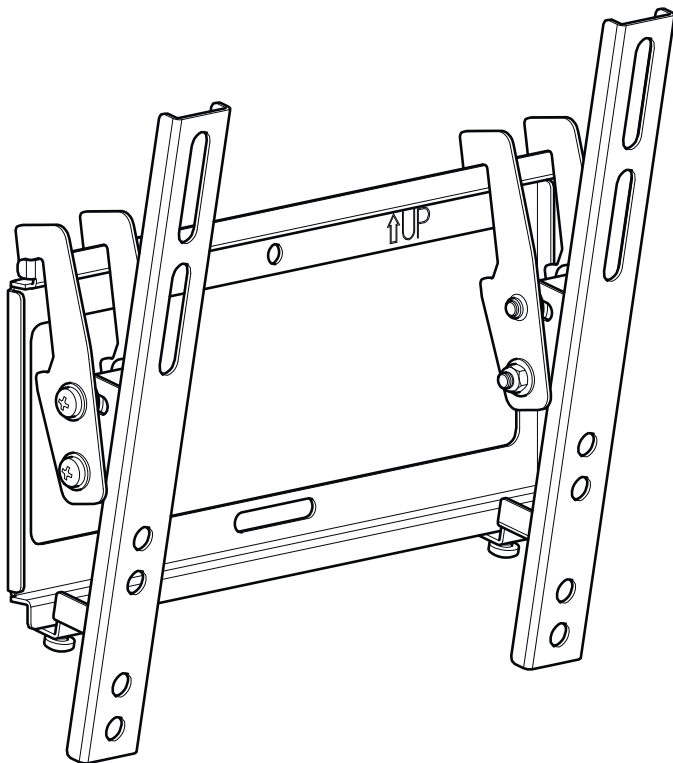


PULSE

TV Wall Mount Tilt Upto 39"
Model: PLS210Q



20kg
44lbs

www.pulse-audio.co.uk



Read through ALL instructions before commencing installation.

Retain all packaging in case the bracket needs to be returned.

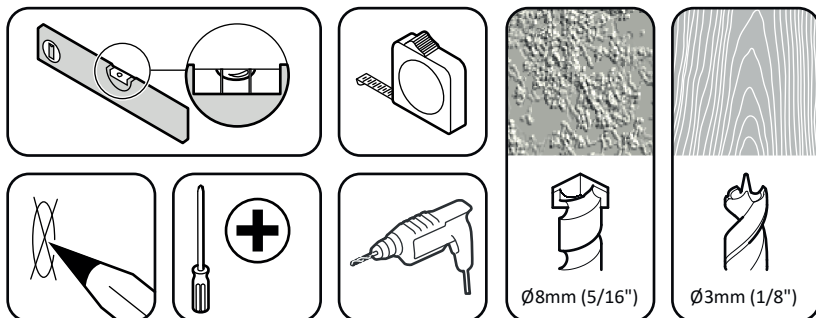
Contents may vary from photography/illustrations.

You will not need all these parts, so expect there to be some left over depending upon the specification of your TV.

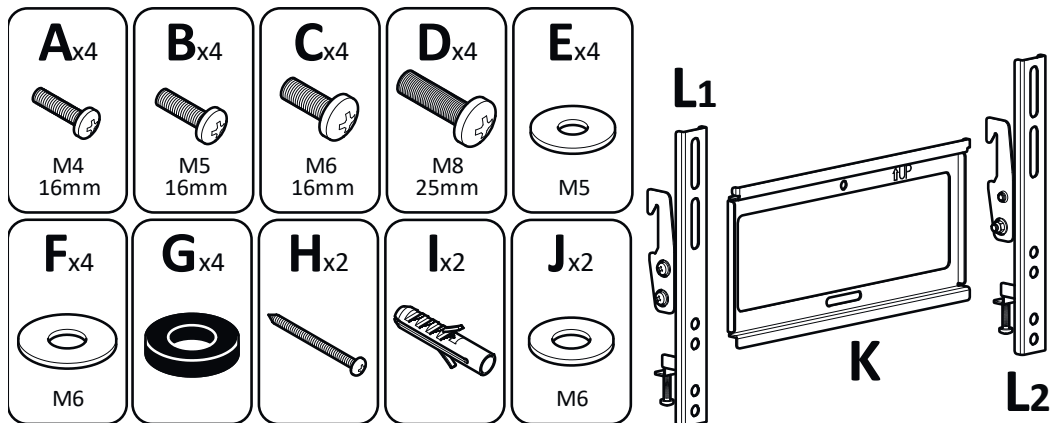
This product is intended for indoor use only. Use of this product outdoors could lead to failure and personal injury.

It is the responsibility of the installer to ensure that the mounting wall is of a suitable standard and void of any services (eg gas, electricity, water etc).

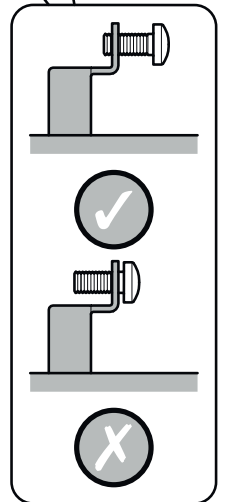
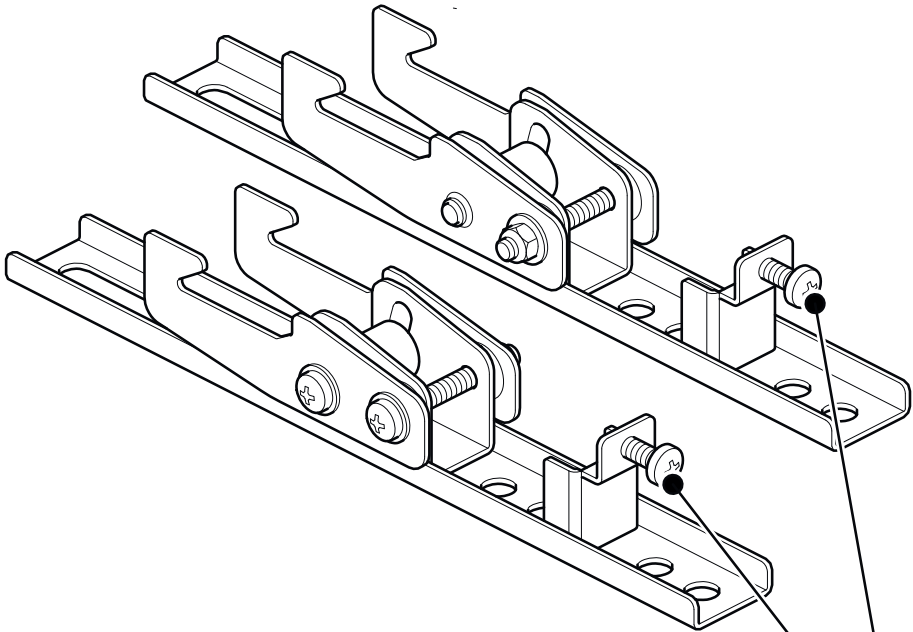
Tools Recommended

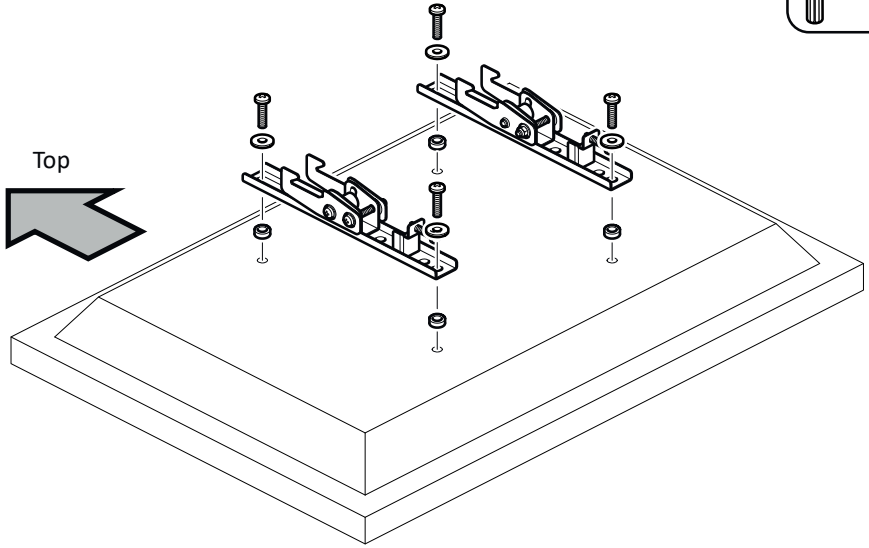


Boxed Parts

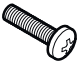


1



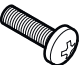


T1 x4



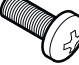
M4
16mm

T2 x4



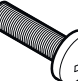
M5
16mm

T3 x4




M6
16mm

T4 x4




M8
30mm

T5 x4



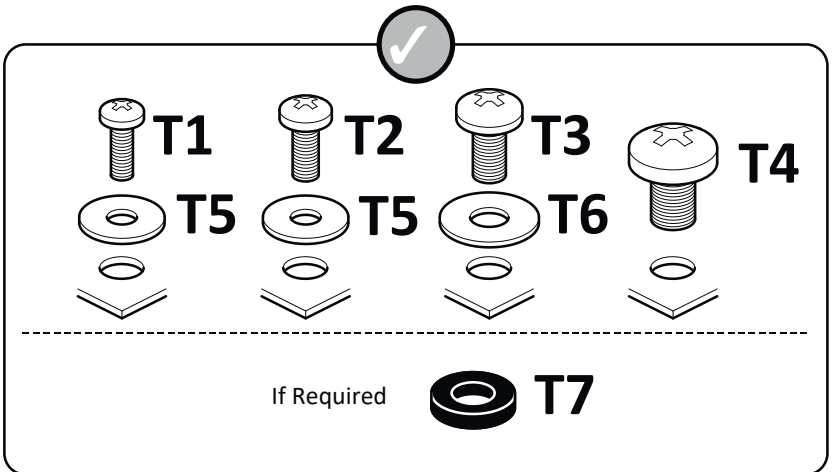
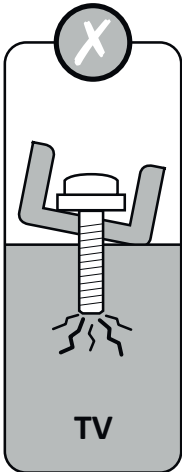
M5

T6 x4

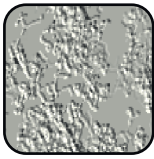


M6

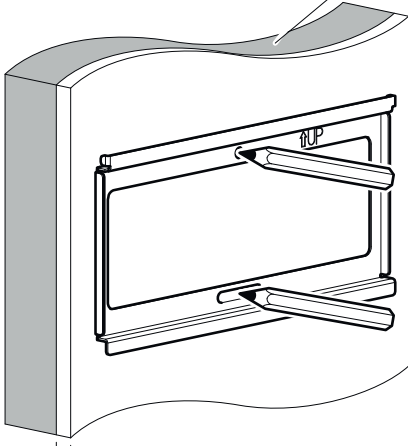
T7 x4

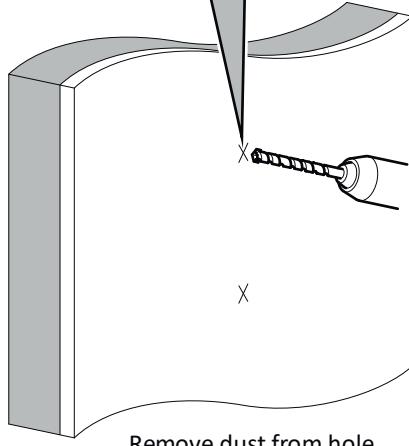
3



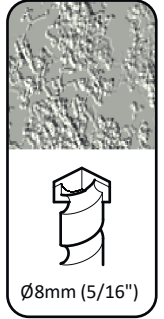
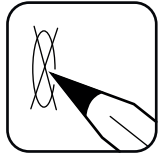
Concrete



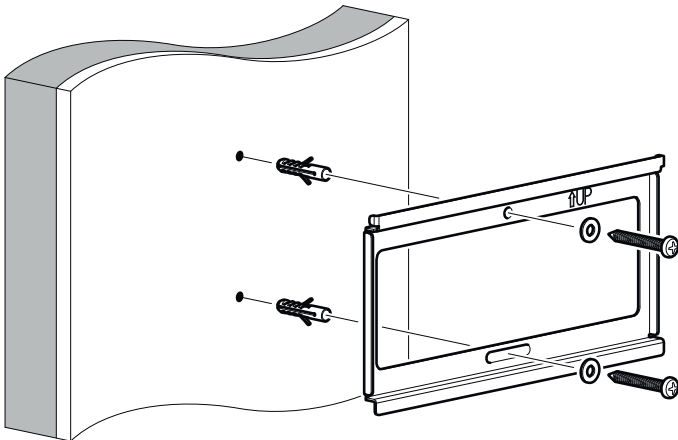
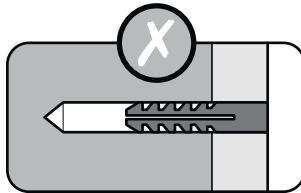
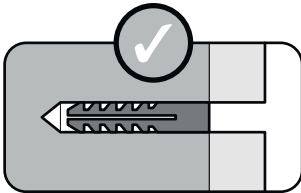
12.5mm (1/2") Max



Remove dust from hole



Ø8mm (5/16")



Lubricate screw thread with soap

W1 x2



W2 x2

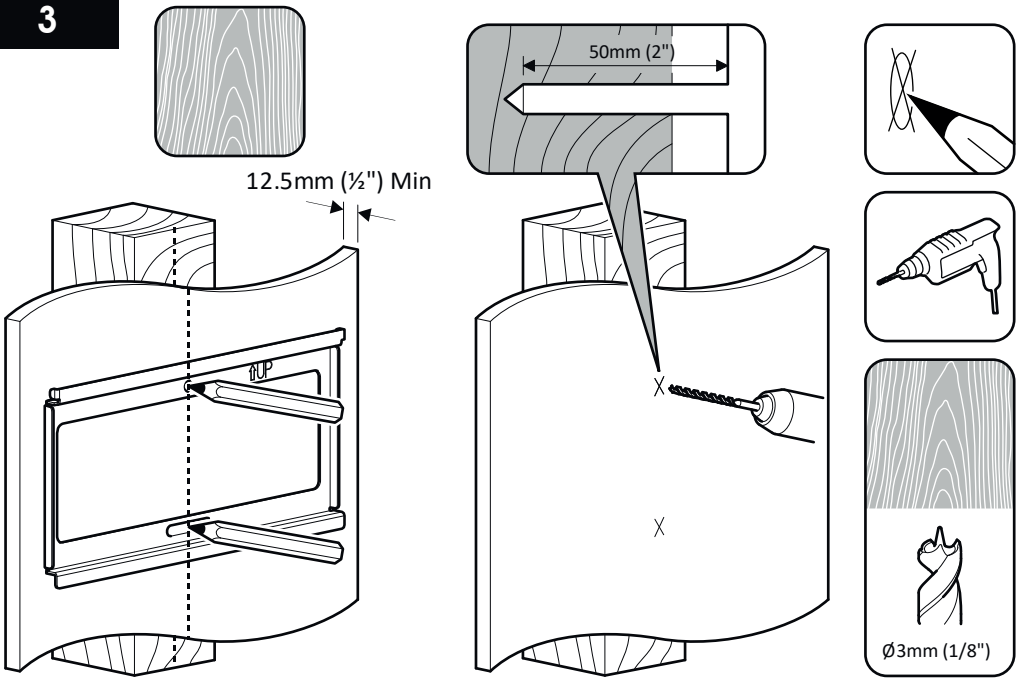


W3 x2

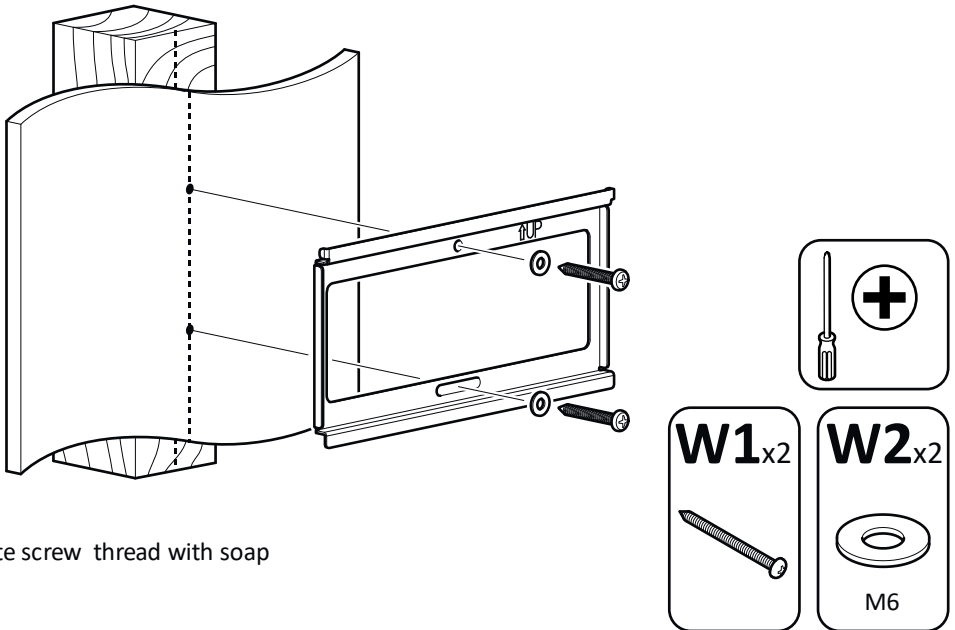


M6

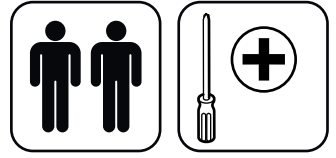
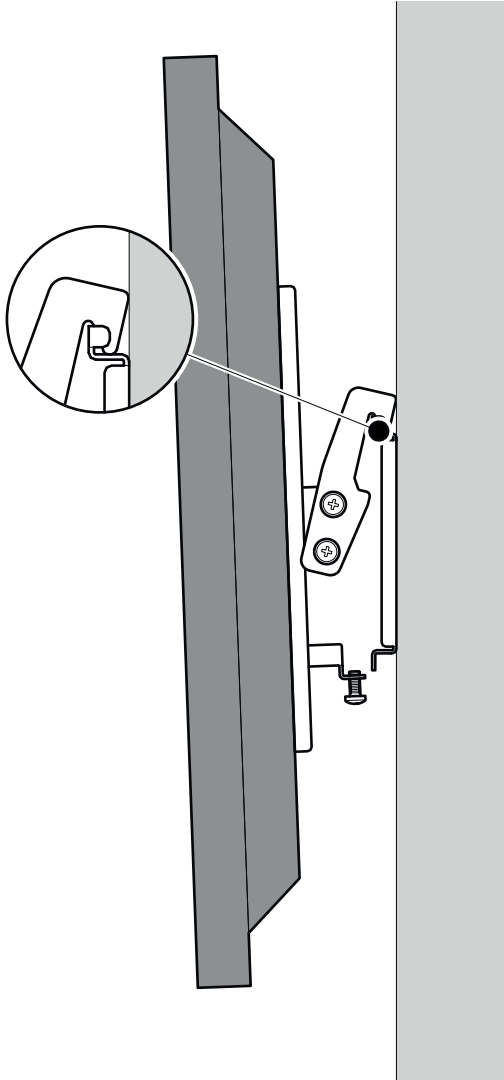
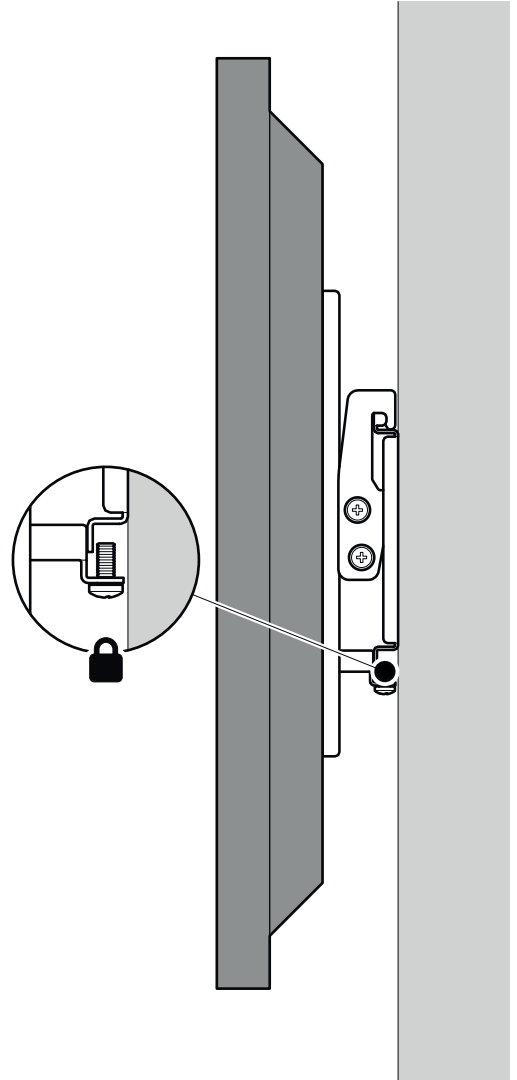
3



Ensure bracket is in the centre of the wood stud



Lubricate screw thread with soap

**i****ii**

Optional - Lock Tilt

