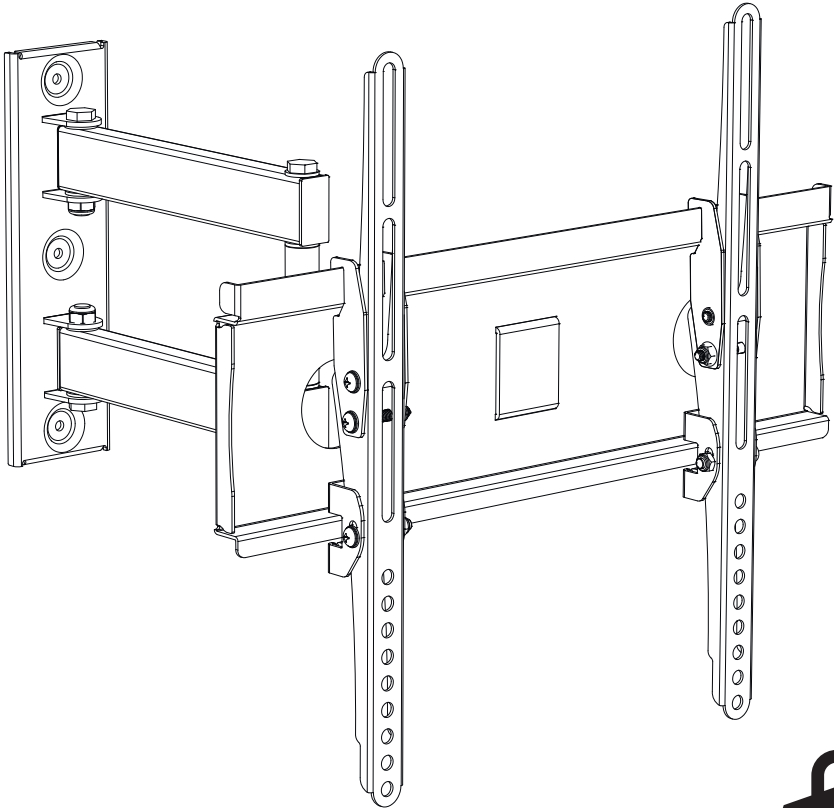


# PULSE

TV Wall Mount Multi Position 26" to 55"  
Model: PLS440



[www.pulse-audio.co.uk](http://www.pulse-audio.co.uk)



Read through ALL instructions before commencing installation.

Retain all packaging in case the bracket needs to be returned.

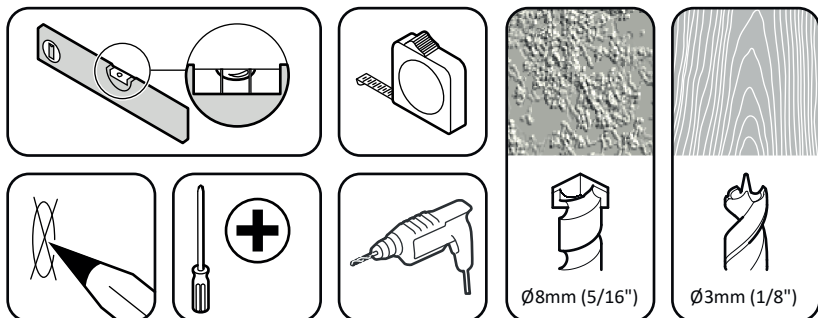
Contents may vary from photography/illustrations.

You will not need all these parts, so expect there to be some left over depending upon the specification of your TV.

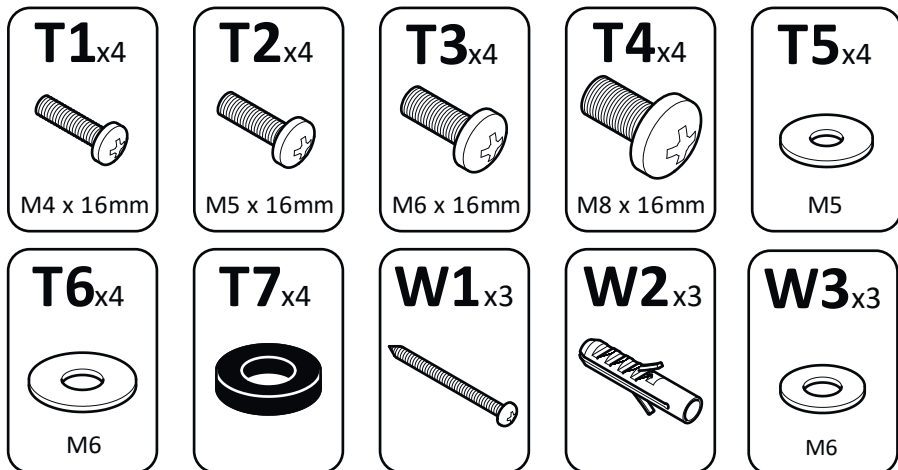
This product is intended for indoor use only. Use of this product outdoors could lead to failure and personal injury.

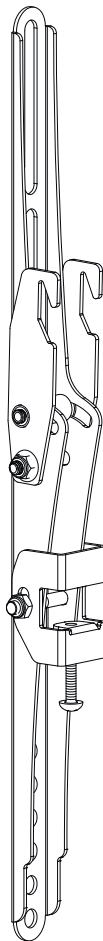
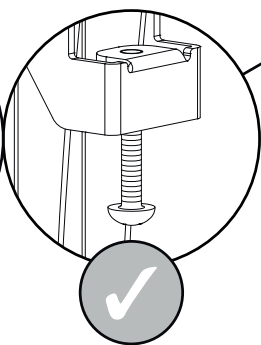
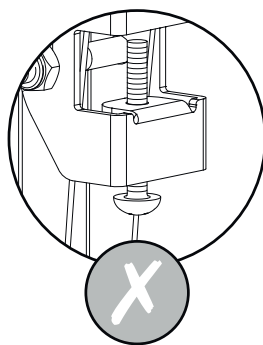
It is the responsibility of the installer to ensure that the mounting wall is of a suitable standard and void of any services (eg gas, electricity, water etc).

## Tools Recommended



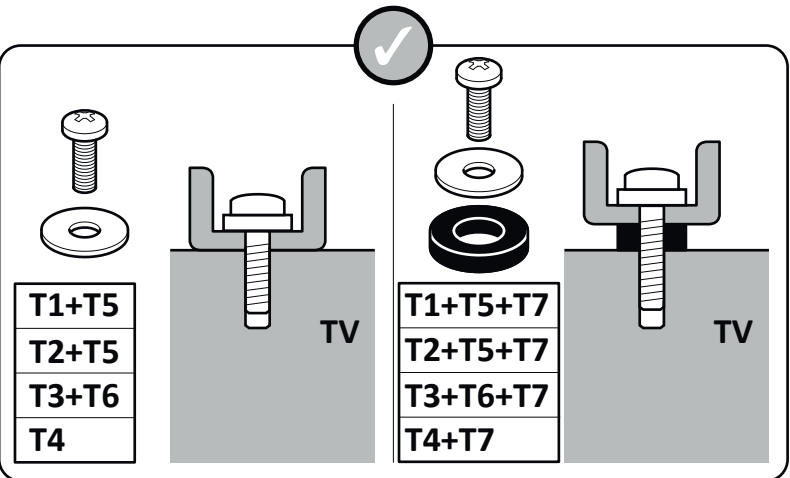
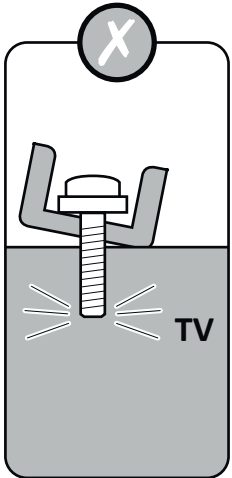
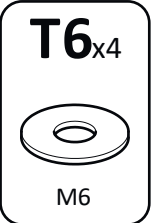
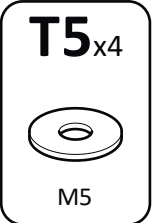
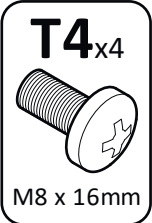
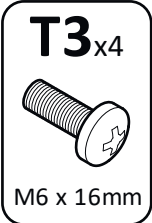
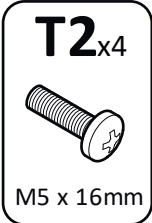
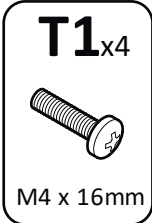
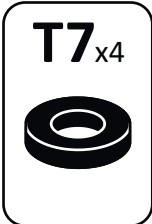
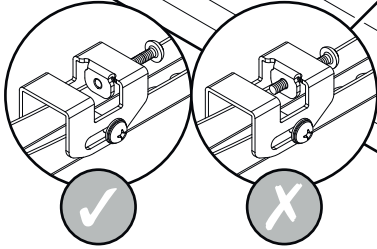
## Boxed Parts



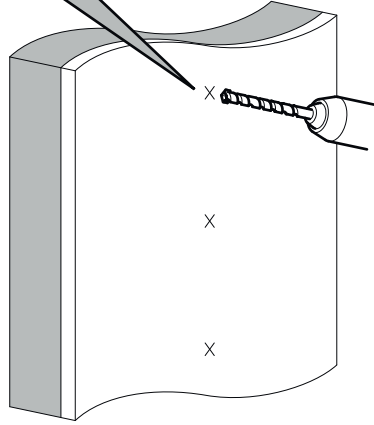
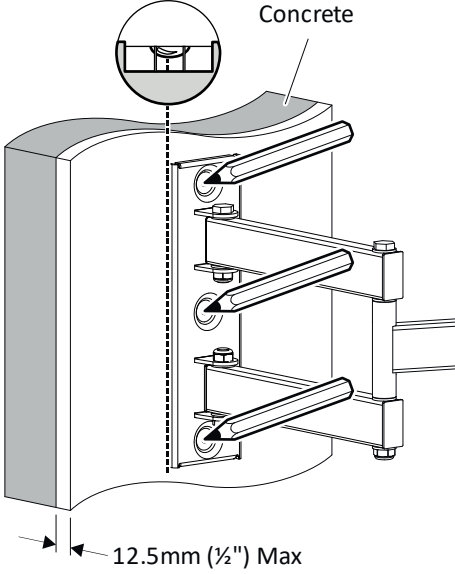
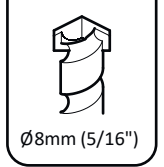
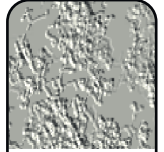
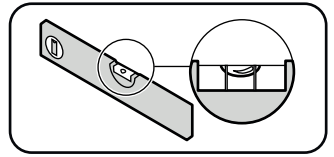
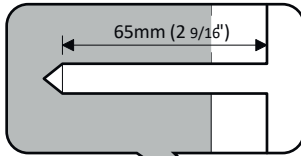
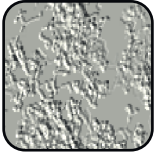




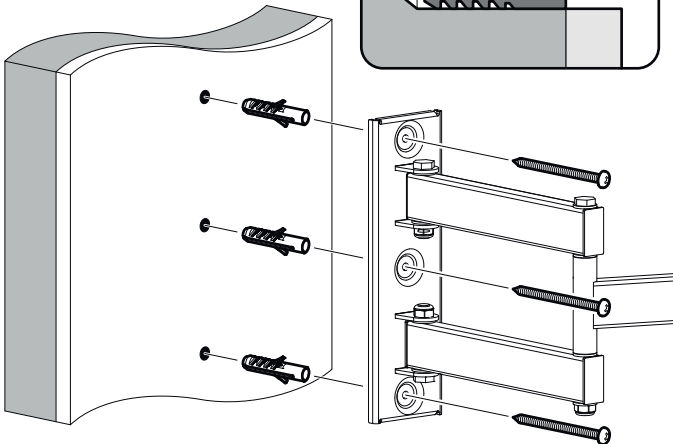
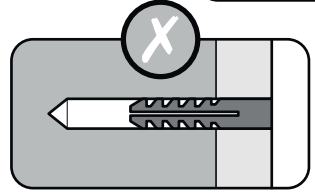
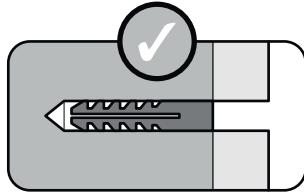
Top



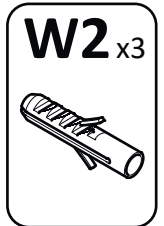
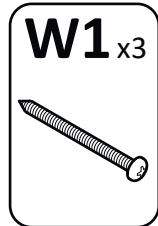
3



Remove dust from hole



Lubricate screw thread with soap



3

