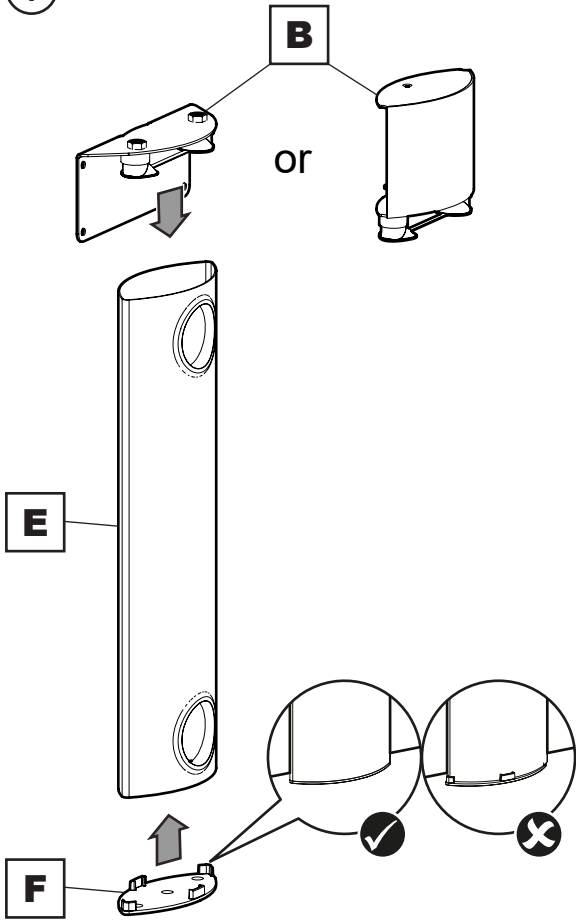


TV Base Assembly Tip Sheet

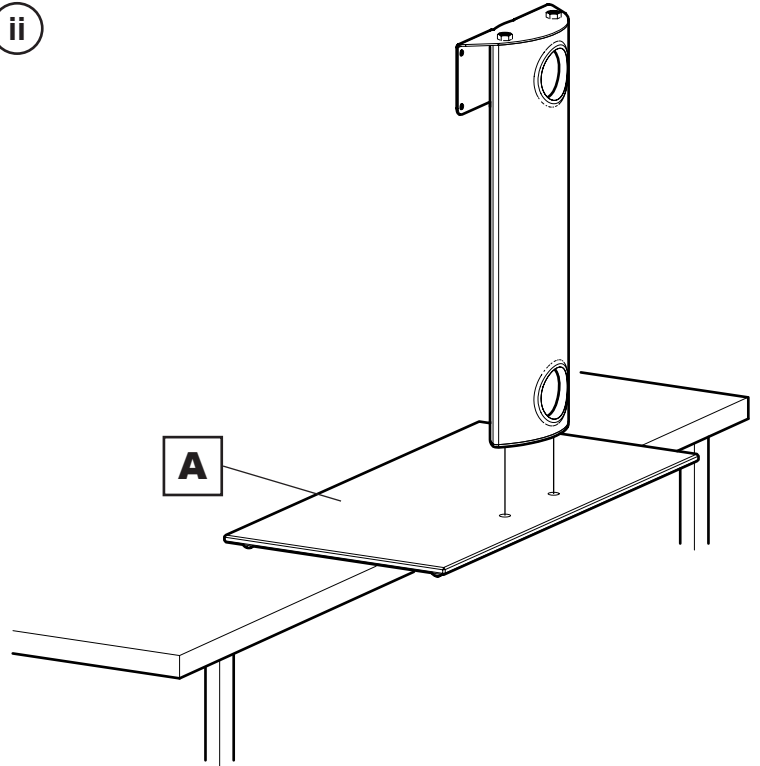


Use with Step 4 - Assemble the column

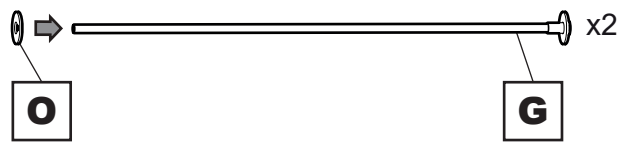
i



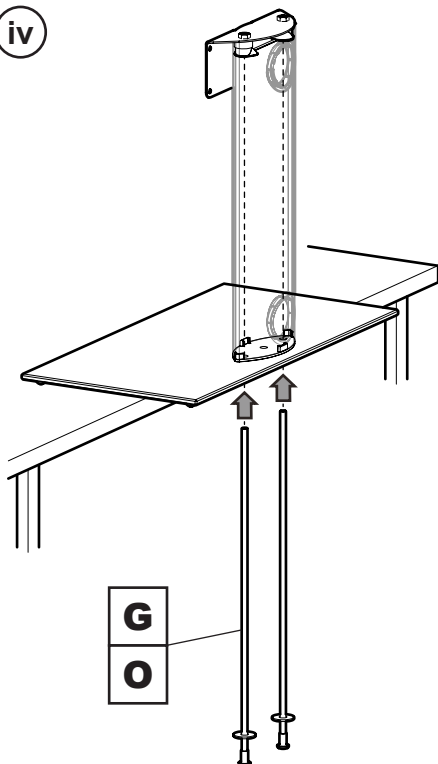
ii



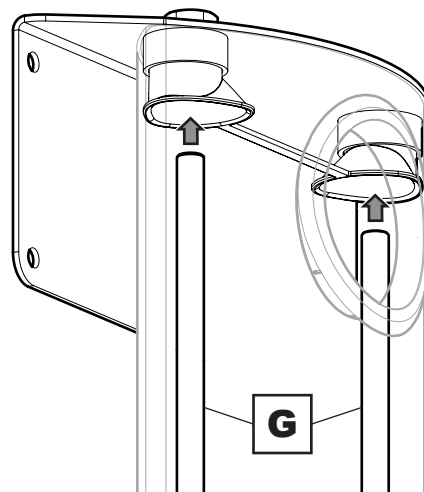
iii



iv



v



Push your fingers through the cable management hole and use them to guide G into position.

vi

