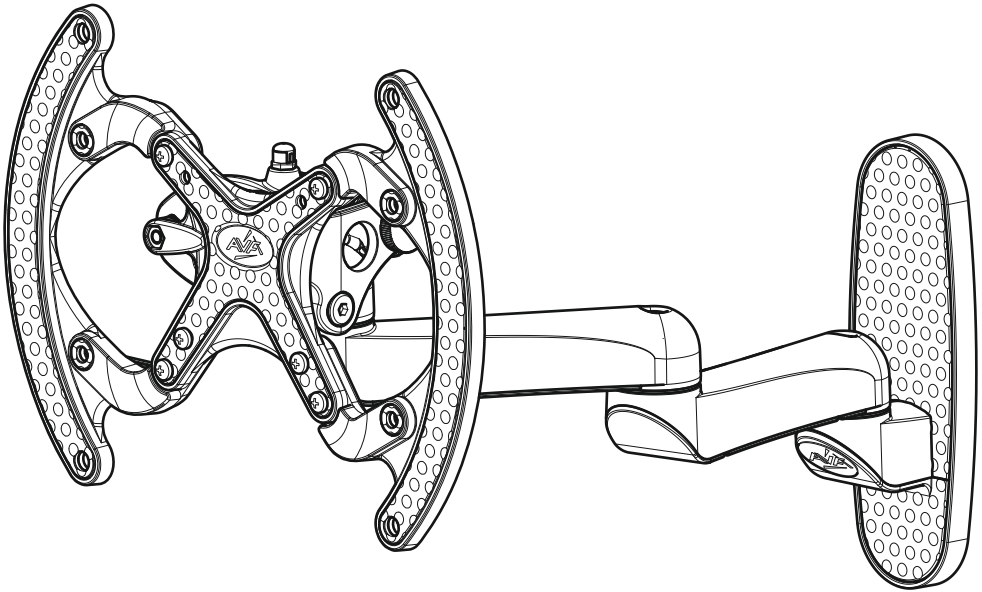


JZL204

Leaflet No. 463864 rev00



Read through ***ALL*** instructions before commencing installation.
If you have any questions about this product or issues with installation
contact the customer services helpline before returning this product to
the store. See jl.avfgroup.com/p/jzl204 for more information.

CUSTOMER SERVICES HELP LINE NUMBER:

01952 670009

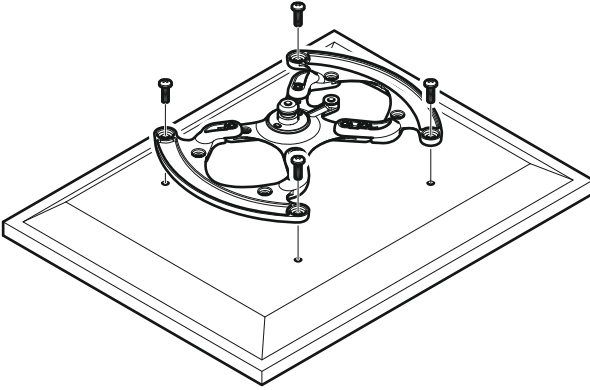
**44lbs
20kg**

32" ↗
↙ **81cm**

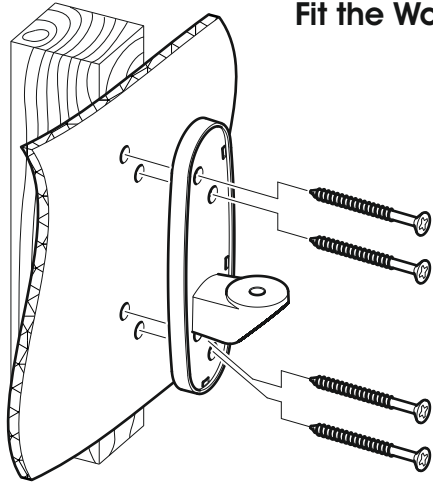
AVF Group Ltd. Hortonwood 30, Telford, Shropshire, TF1 7YE, England

Assembly Overview

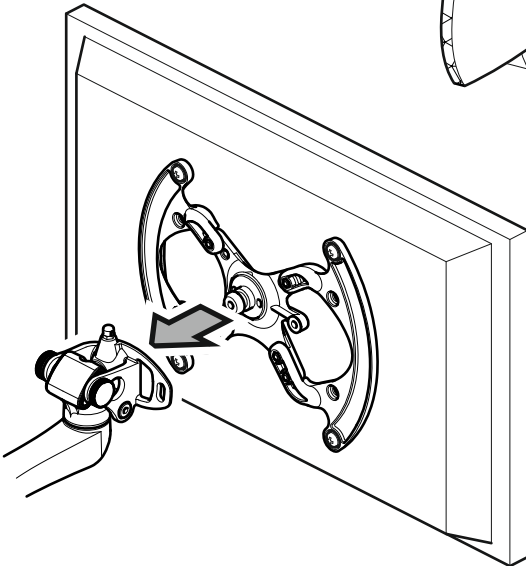
Fit the Mounting Plate



Fit the Wall Bracket



Attach the TV



Index

1 Measure the TV fixing holes Width and Height

2 Choose and Prepare the TV Mounting Plate

3 Fitting the TV Mounting Plate

4 Fitting the Wall Bracket

5 Assemble the Bracket

6 Fitting the Top and Bottom Covers

7 Attach the TV

8 Fitting the Arm Covers and Cable Management

9 TV Levelling and Tilt

Retain all packaging in case the bracket needs to be returned.

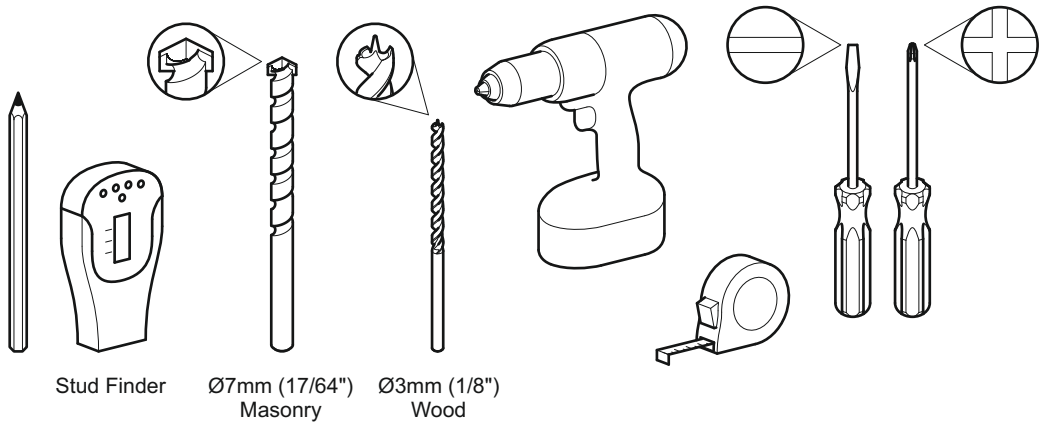
Contents may vary from photography/ Illustrations.

You will not need all these parts, so expect there to be some left over depending upon the specification of wall.

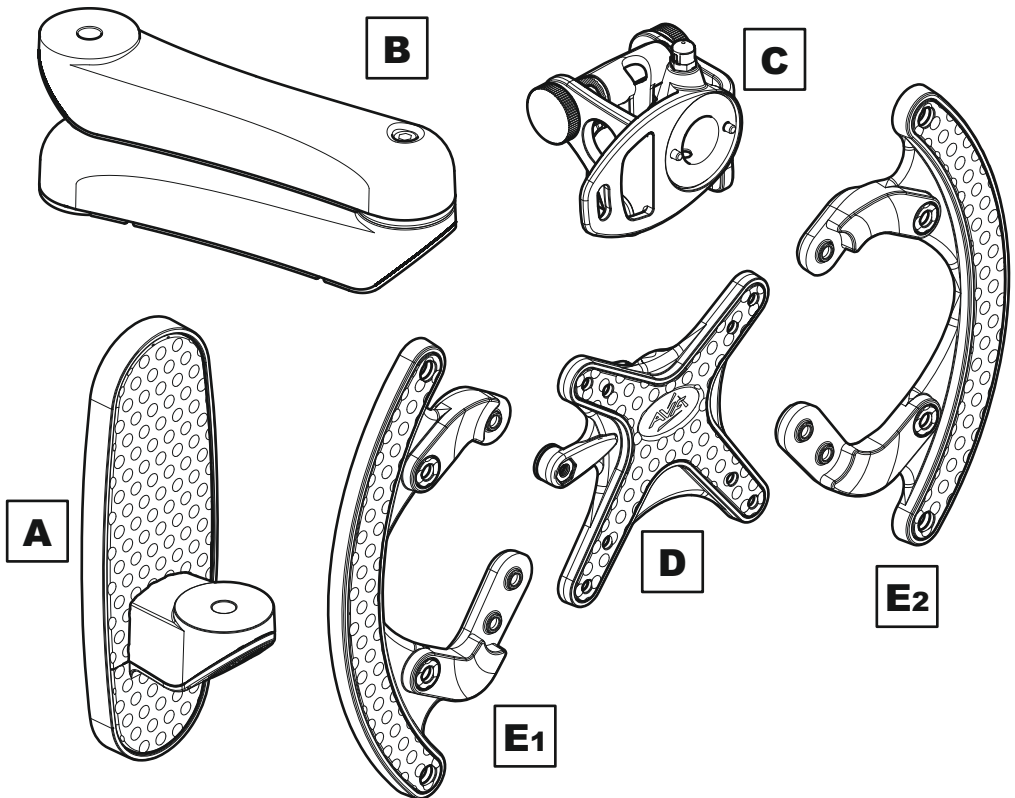
This product is intended for indoor use only. Use of this product outdoors could lead to failure and personal injury.

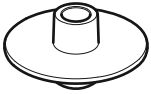
It is the responsibility of the installer to ensure that the mounting wall is of a suitable standard and void of any services (eg gas, electricity, water etc). AVF accept no responsibility for any damage or loss caused by installing this product in a sub standard wall.

Tools Recommended

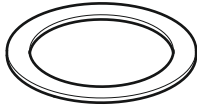


Boxed Parts





F x2



G x2



H x1



I x1



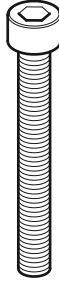
NYLON
J x2



K x2



L x2



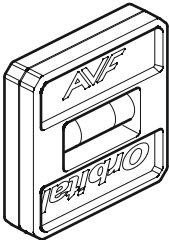
M x2



N x4

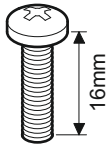


O x4

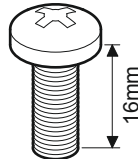


P x1

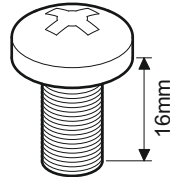
TV Screws



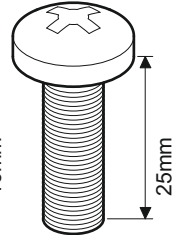
M4
Q1 x4



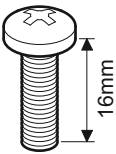
M6
Q3 x4



M8
Q4 x4



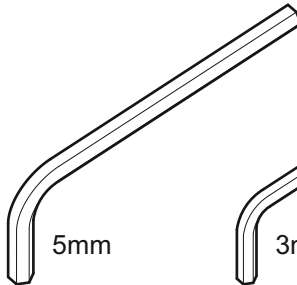
M8
Q5 x4



M5
Q2 x6

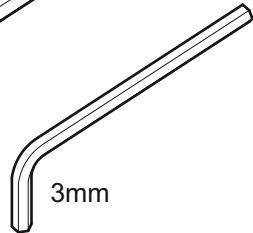


R x6



5mm

S x1

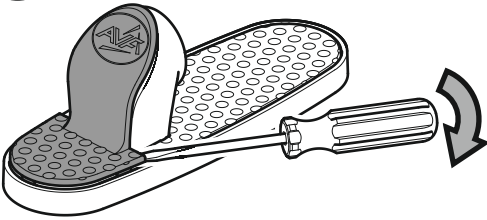


3mm

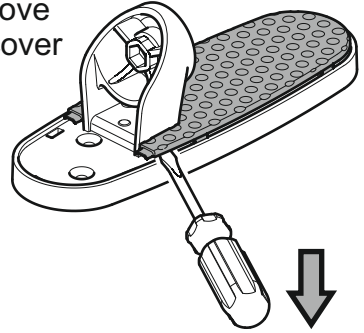
T x1

Before you begin

i Remove bottom cover

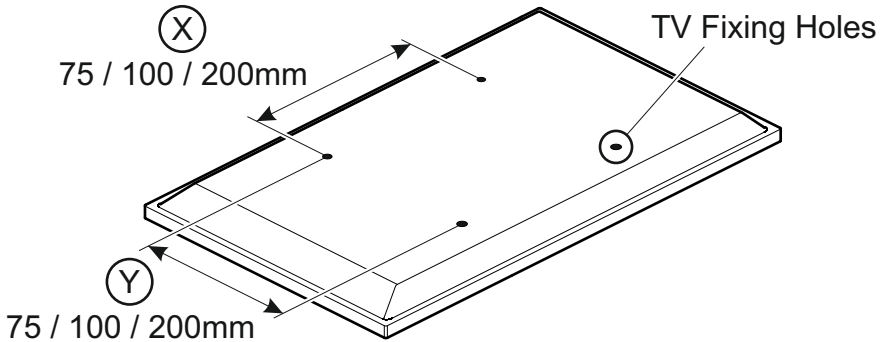


ii Remove top cover

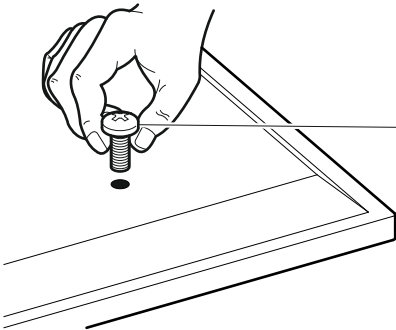


Keep top and bottom covers until step 6.

1 Measure the TV fixing holes Width and Height



If your TV holes do not line up STOP installation now and contact the customer help line



M4 = Q1

M6 = Q3

M8 = Q4-Q5

You are provided with 3 diameters of TV fixing screws, **M4**, **M6** and **M8**. Determine the screw diameter that fits and remember for step 3.

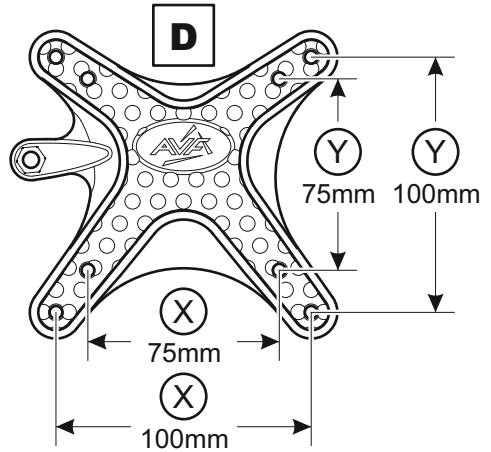
2 Choose and Prepare the TV Mounting Plate

Use the option that fits your TV

OPTION 1

(X) = 75mm / 100mm

(Y) = 75mm / 100mm

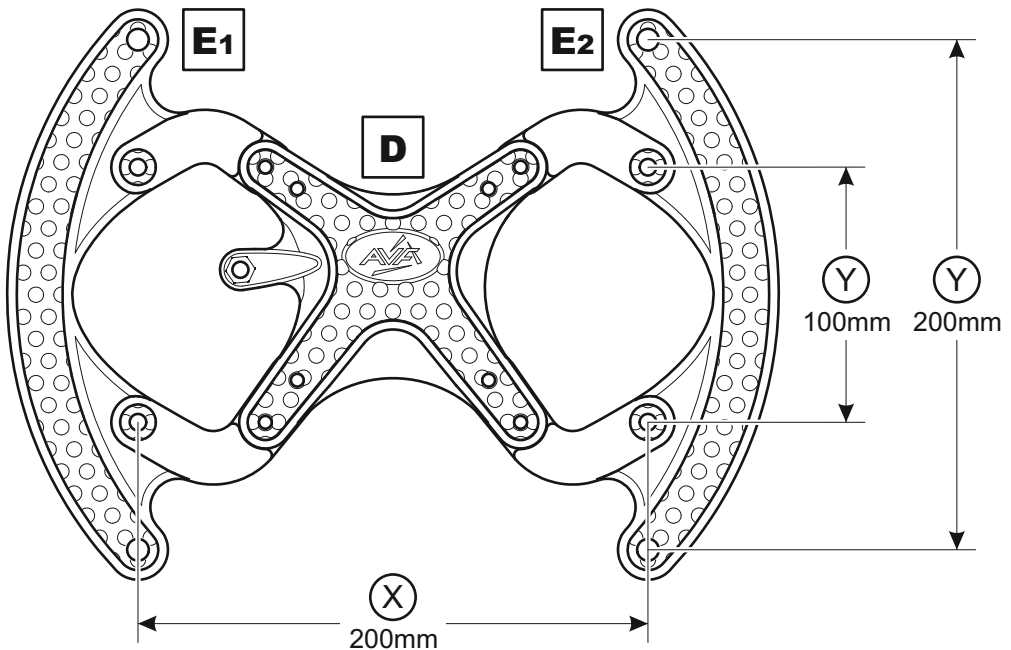


OPTION 2

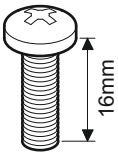
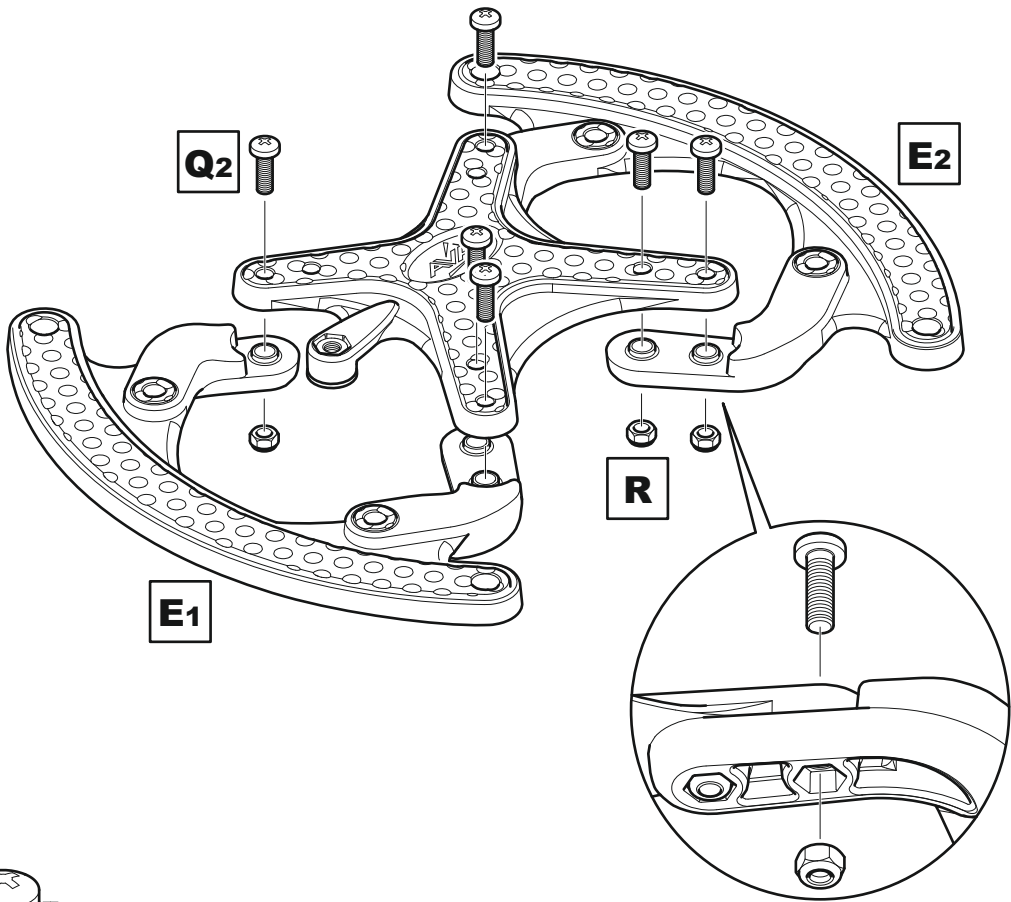
(X) = 200mm

(Y) = 100mm / 200mm

If you choose **OPTION 2** you will need to attach adaptors **E1** & **E2**. Please see over the page for details.



OPTION 2



M5



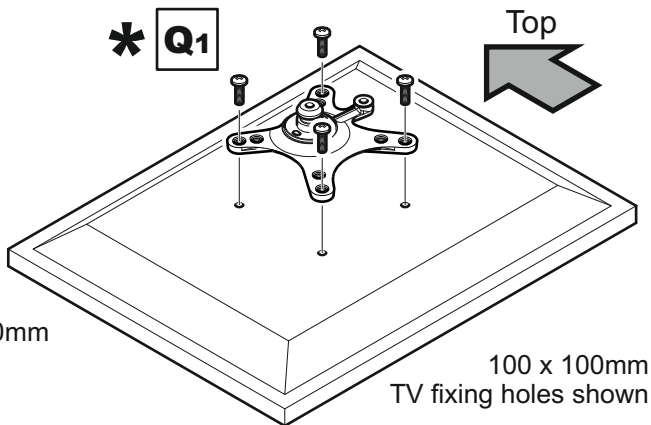
Q2 x6 **R** x6

3 Fitting the TV Mounting Plate

OPTION 1

Only use this option if your TV fixing holes are 75 x 75mm or 100mm x 100mm

* You can only use screw **Q1** with 75 x 75mm or 100 x 100mm TV fixing holes

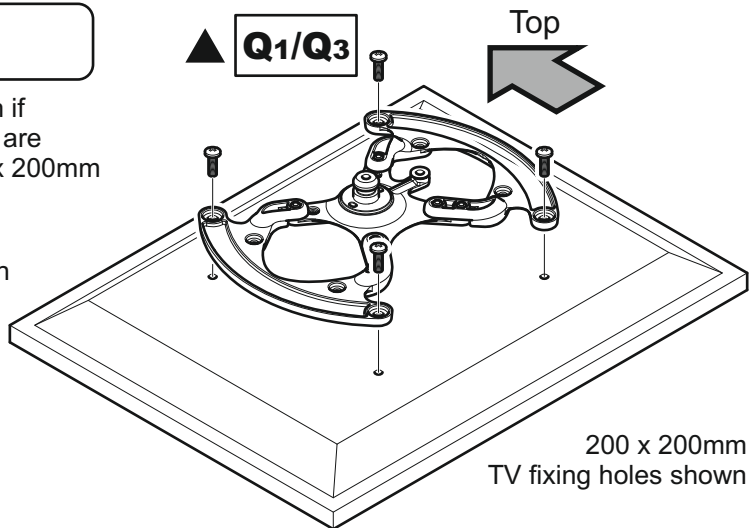


OPTION 2

Only use this option if your TV Fixing holes are 200 x 100mm or 200mm x 200mm

▲ You can only use screws **Q1** or **Q3** with 200 x 100mm TV fixing holes

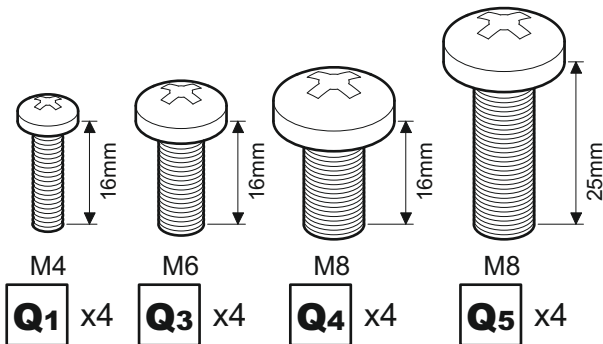
You can only use screws **Q3-Q5** with 200 x 200mm TV fixing holes



If your TV has an irregular back or if you have any issues fitting to the back of your TV with the screws supplied, please call the customer services helpline **01952 670009**

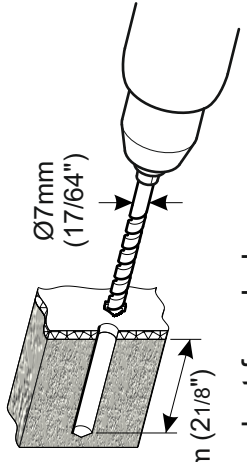
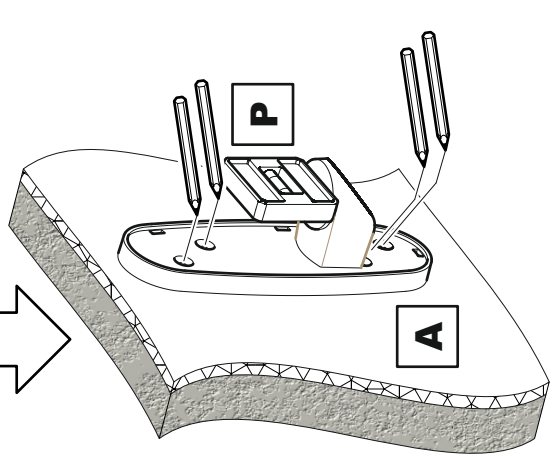


After completing step 3 you will have fittings left over, please keep for future reference



4 Fitting the Wall Bracket

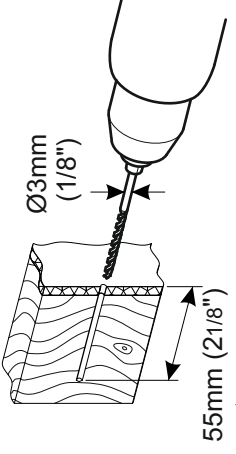
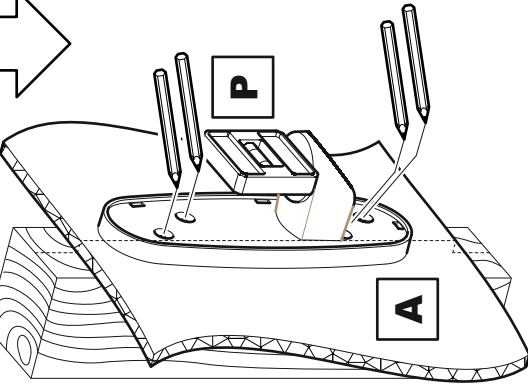
Solid Wall



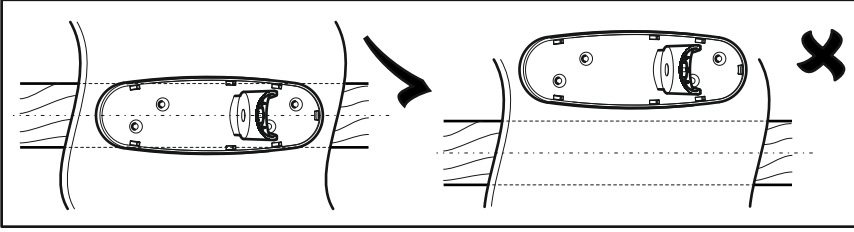
Remove dust from hole

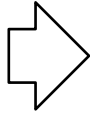


Wood Stud

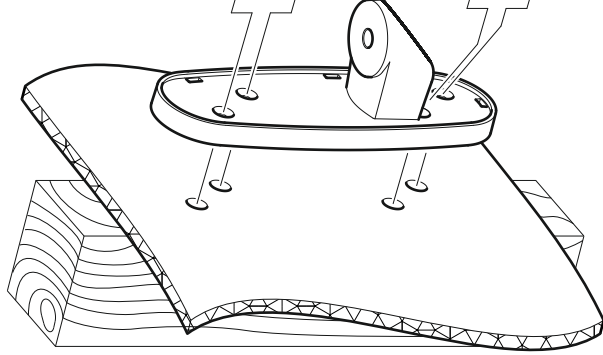


Ensure bracket is in the centre of the wood stud





Lubricate screw
thread with soap



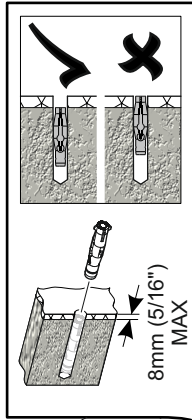
N



x4

N

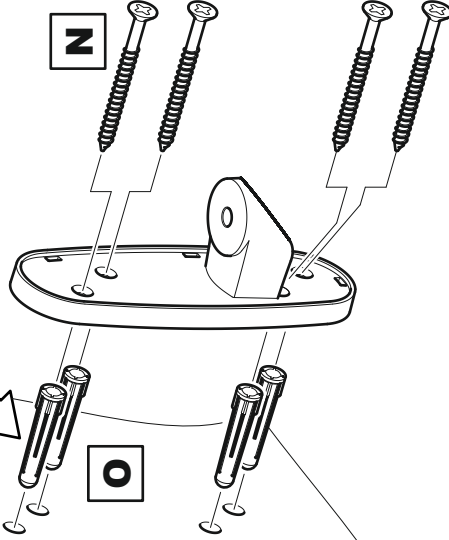
DO NOT over tighten screws
Tighten screws by hand only



8mm (5/16")
MAX



Lubricate screw
thread with soap



N

O



x4

N



x4

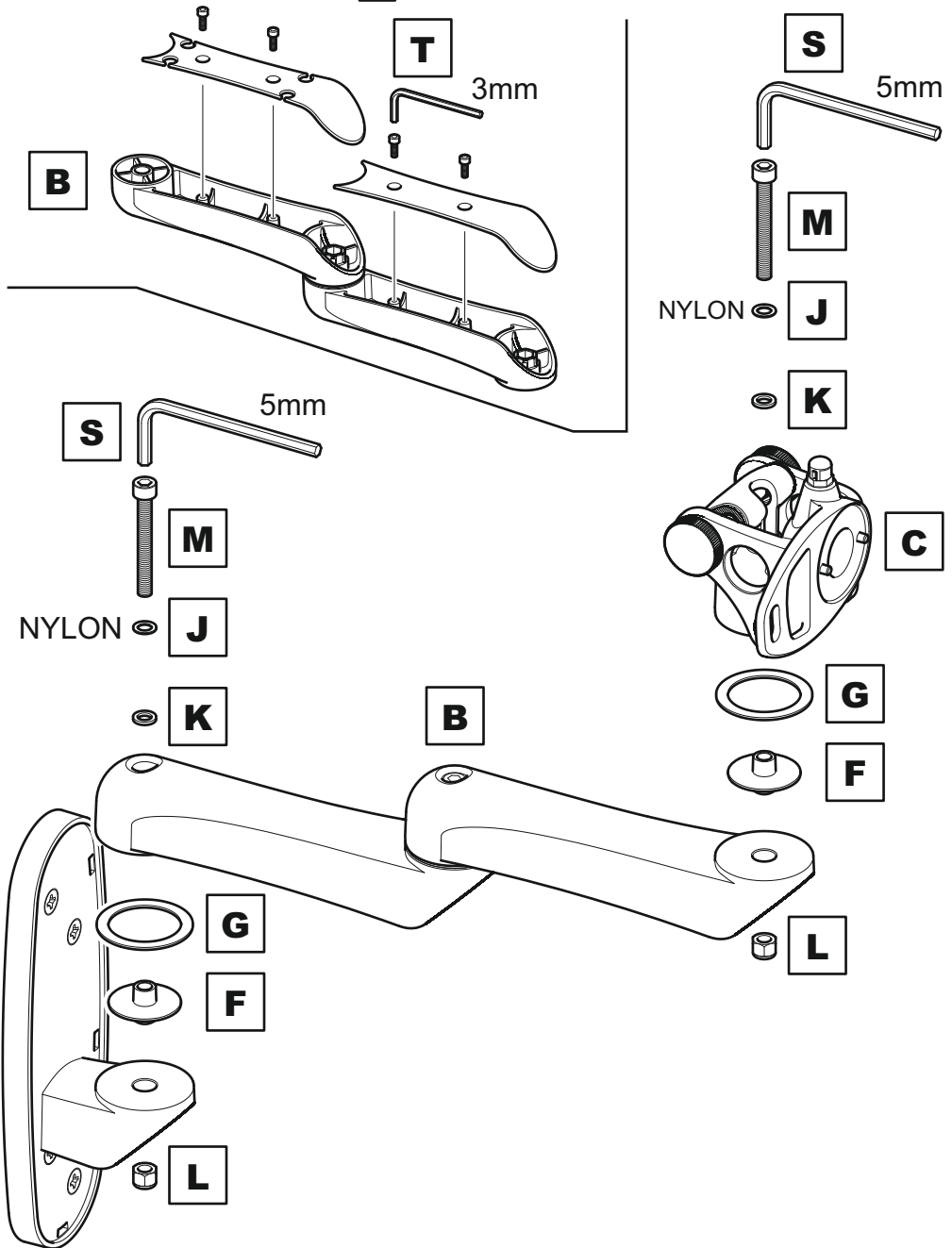
O

DO NOT over tighten screws
Tighten screws by hand only



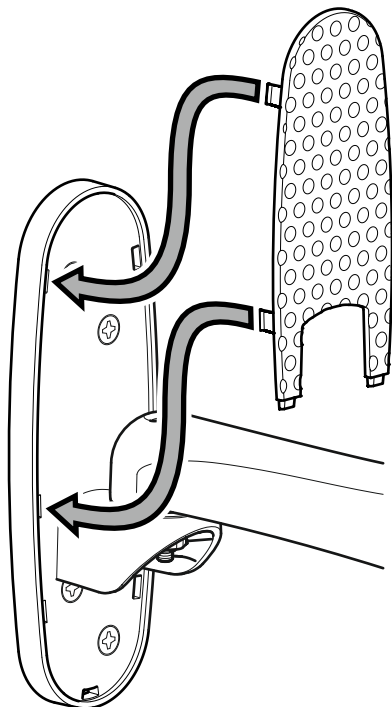
5 Assemble the bracket

Before you assemble the bracket, please remove the 2 arm covers and screws from arm **B** and keep until step 8.

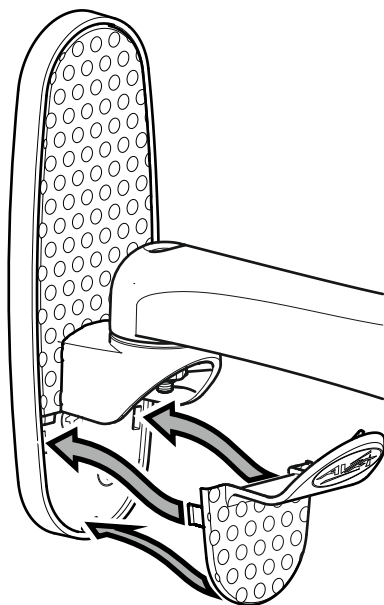


6 Fitting the Top and Bottom Covers

i Fit the top cover

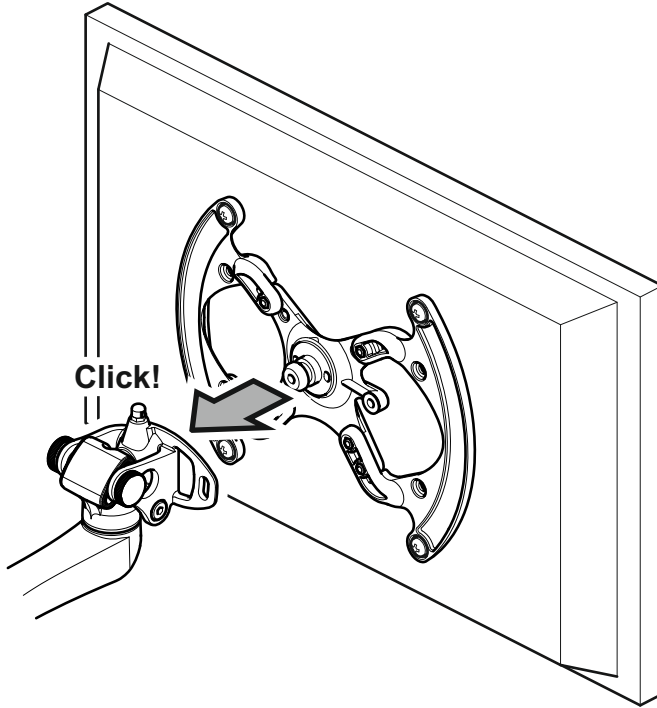


ii Fit the bottom cover

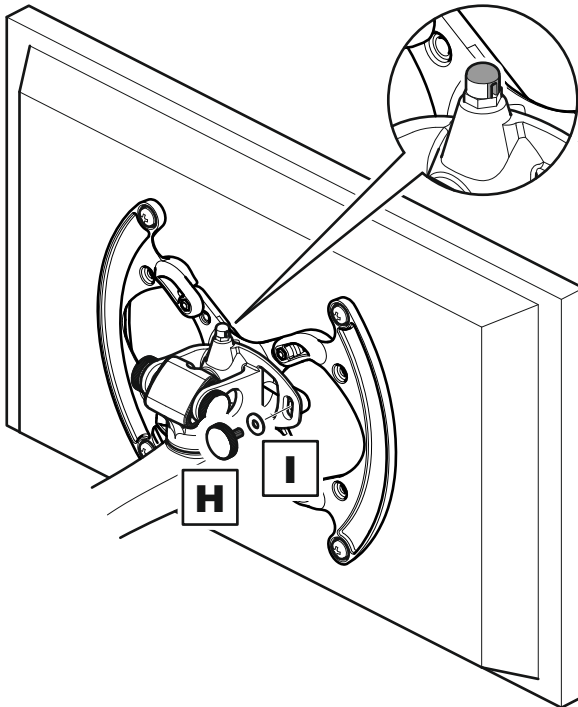


7 Attach the TV

i

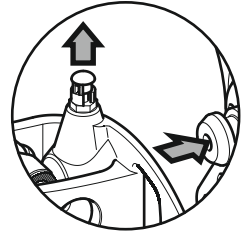


ii



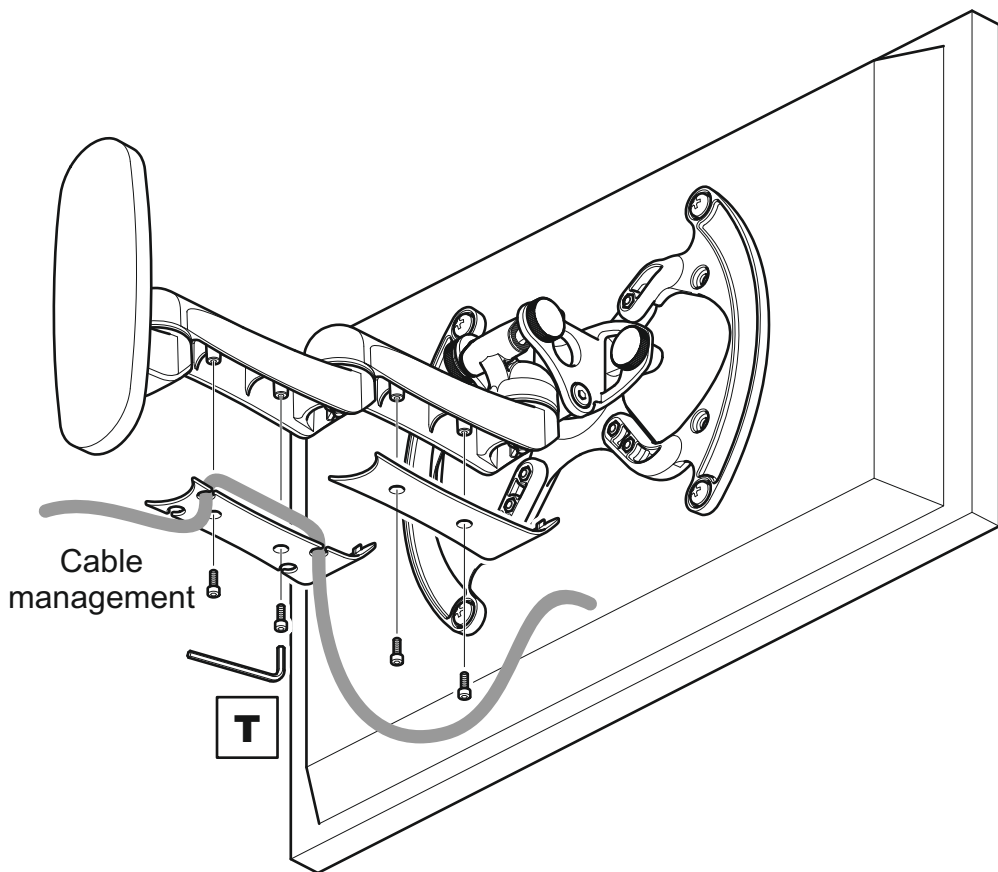
IMPORTANT
Ensure safety
plunger is down

To remove TV



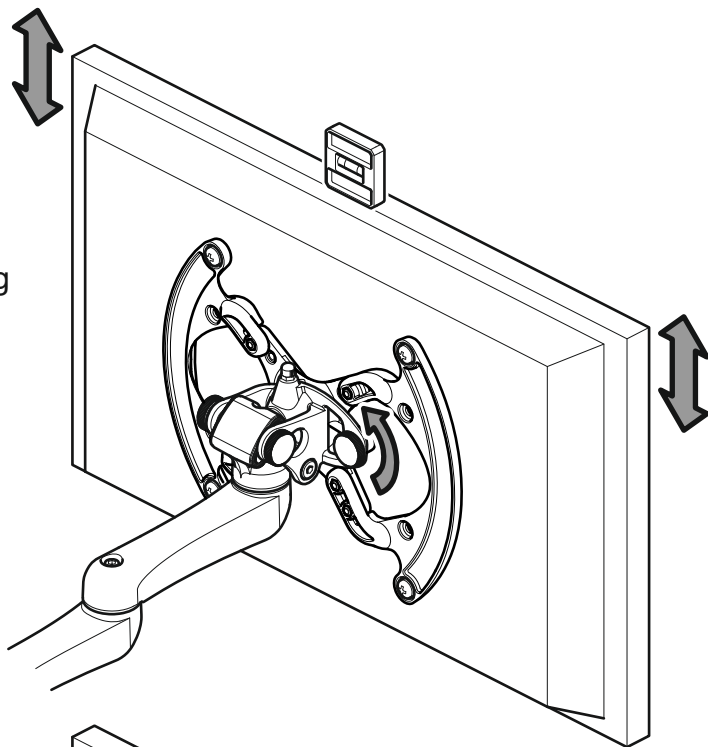
- i. Remove parts H and I
- ii. Lift safety plunger and pull TV away (Safety plunger can be locked open by turning anti-clockwise after lifting)

8 Fitting the Arm Covers and Cable Management



9 TV Levelling and Tilt

Levelling



Tilt

