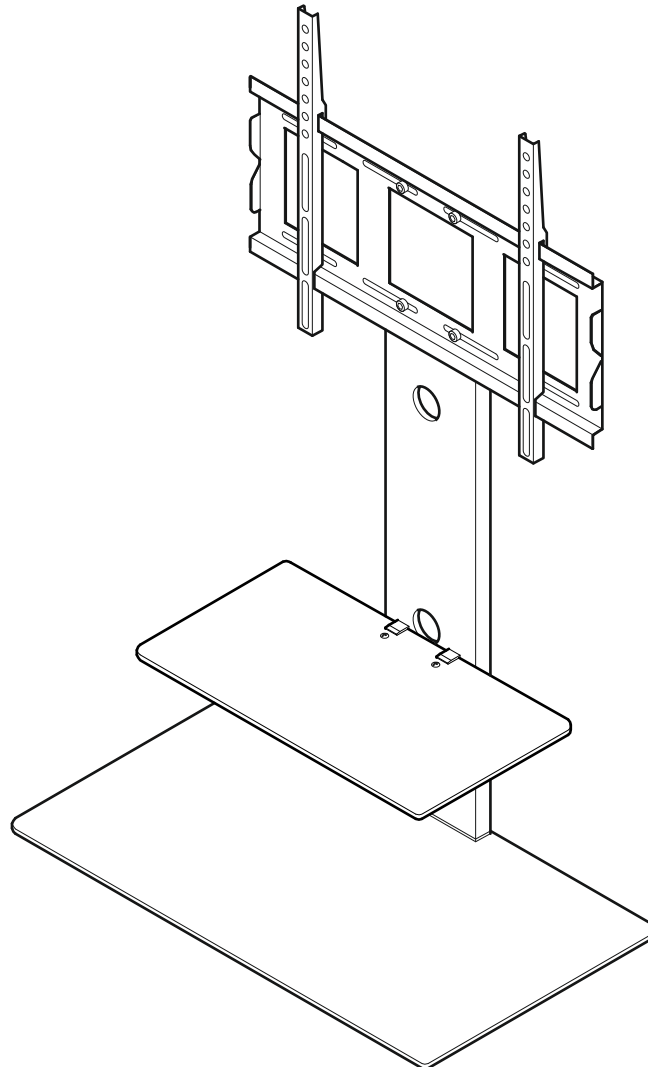


FSL700LEB

463858 rev02



Read through ALL instructions before commencing assembly.
If you have any questions about this product or issues with
assembly contact the customer services help line before
returning this product to the store.

CUSTOMER SERVICES HELP LINE NUMBER:

+44 (0)1952 670009 (UK)

AVF Group Ltd.
Hortonwood 30, Telford,
Shropshire, TF1 7YE, England
www.avfgroup.com

IMPORTANT INFORMATION!

We advise that before starting the assembly of this product that you familiarise yourself with the instructions and the parts list in this leaflet.

Do not's

Do not over tighten any part of this assembly.

Do not place hot or cold objects on to or close to any glass surface unless the object is sufficiently insulated to prevent contact.

Do not strike the glass with hard or pointed items.

Do not sit or stand upon horizontal glass surfaces.

Do not use washing powders or other substances containing abrasives when cleaning the glass surfaces as these may scratch the glass.

Do's

Do use a damp cloth with diluted washing up liquid for cleaning the glass surfaces.

Maximum TV size and weight capacity

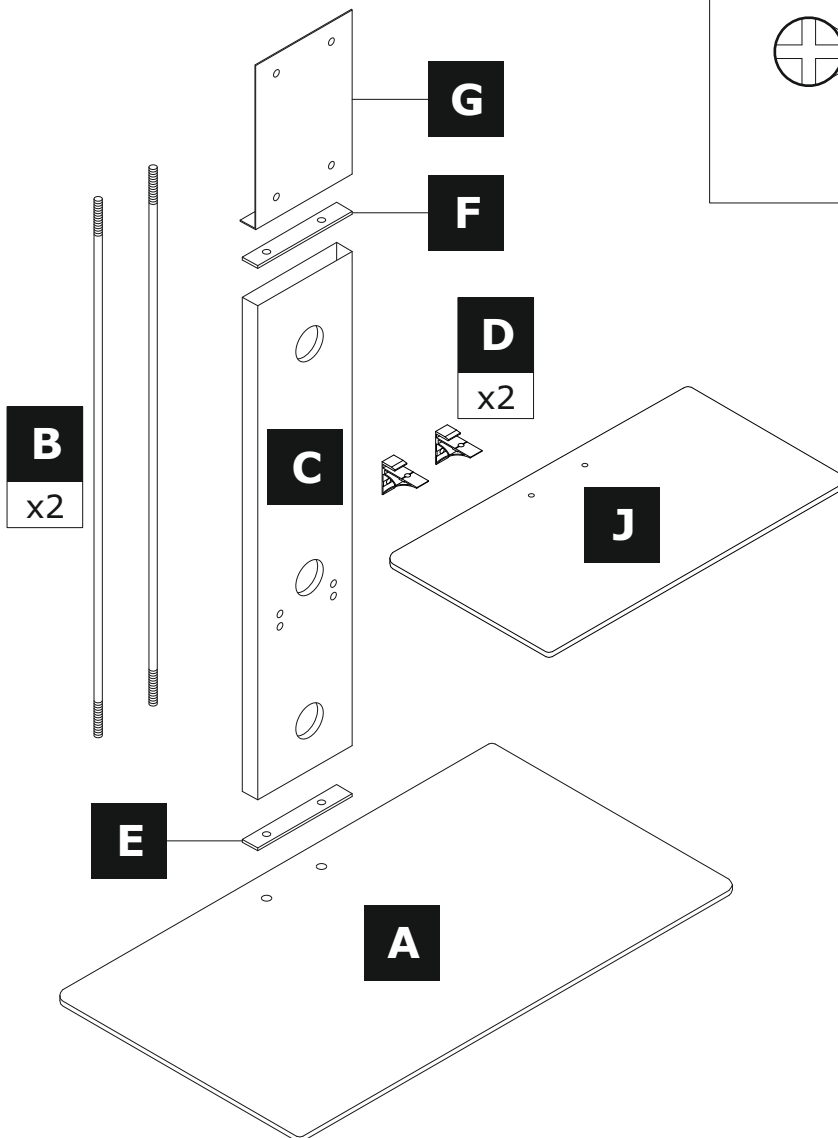
The maximum TV size for this stand is 55"/139cms.

TV weight must not exceed 88lbs/40kgs.

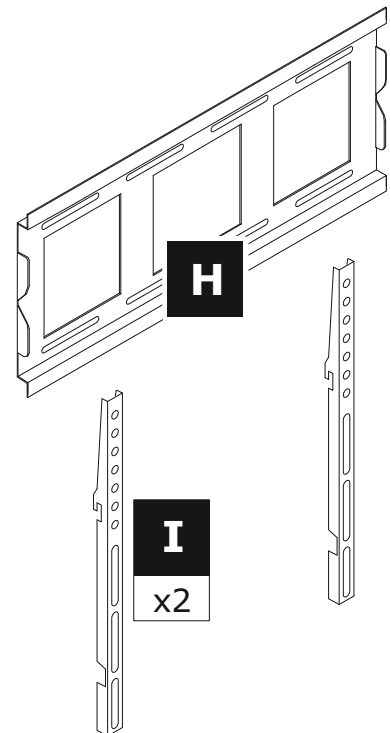
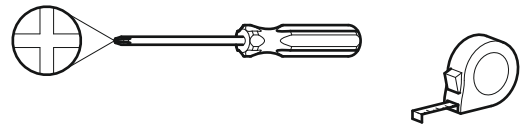
The maximum load for top shelf is 22lbs/10kgs and bottom shelf is 44lbs/20kgs.

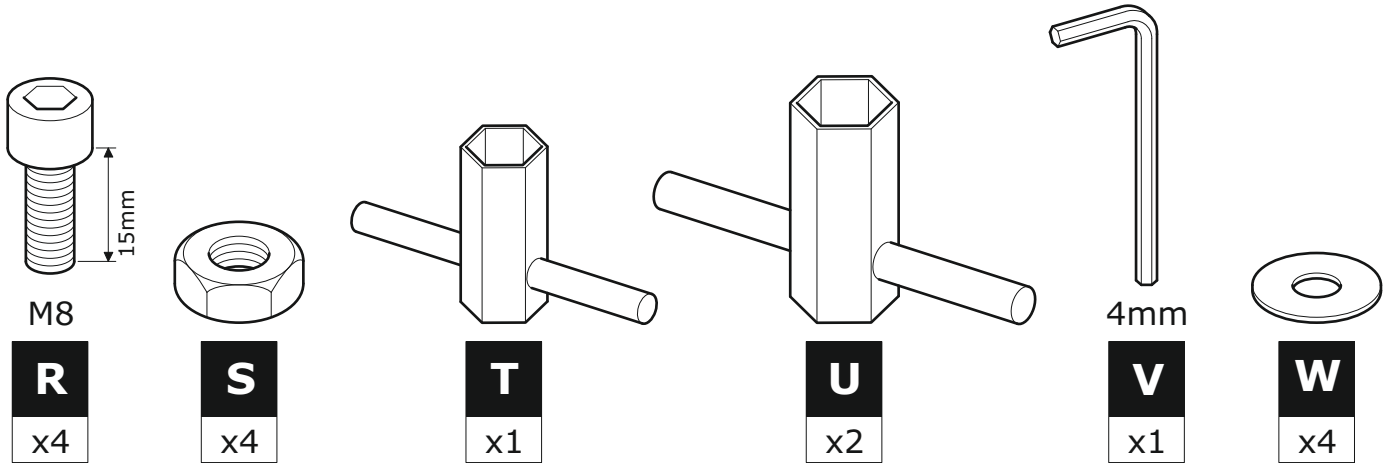
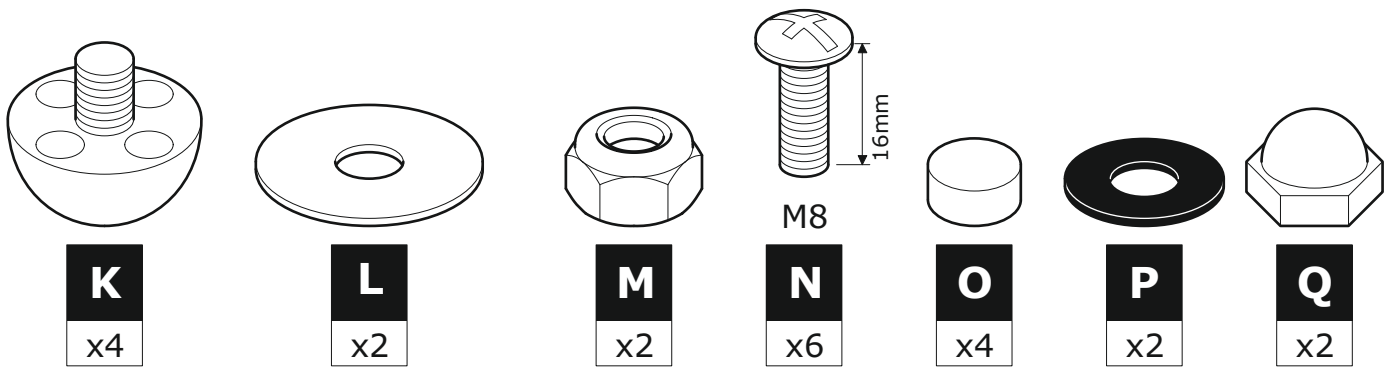
WARNING Wherever possible distribute weight evenly.

Boxed parts

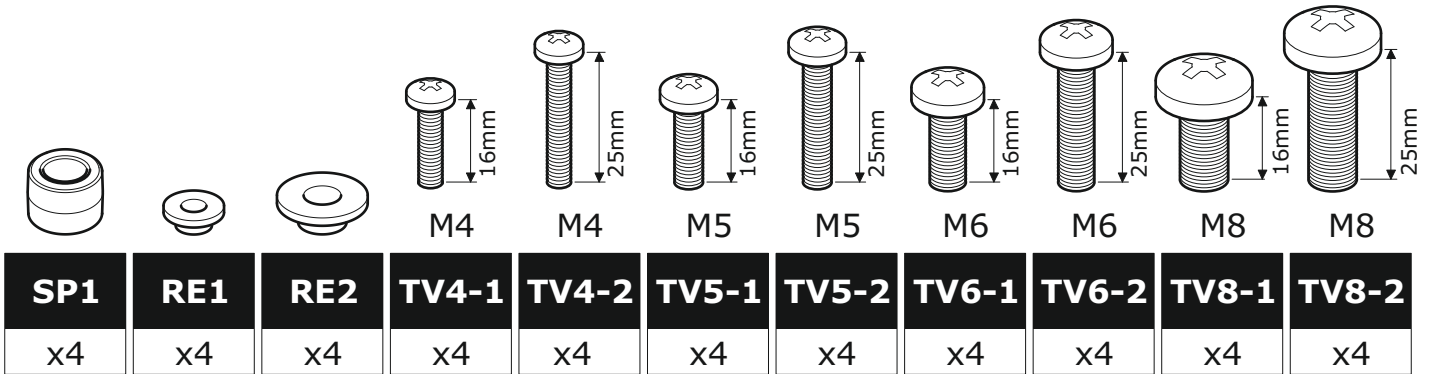


Tools Recommended



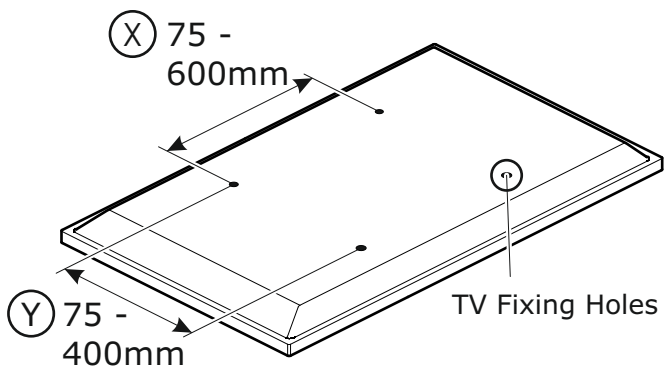


TV screws, Reducers and spacers

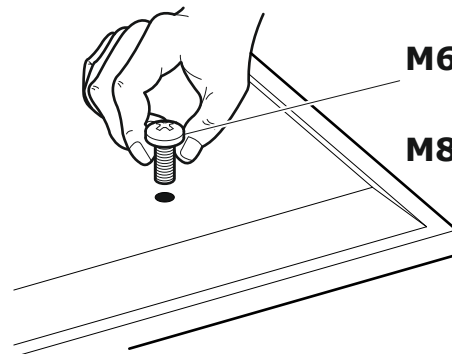


step 1

Measure the TV fixing holes Width and Height



If width (X) is greater than 600mm or height (Y) greater than 400mm STOP installation now and contact the customer help line



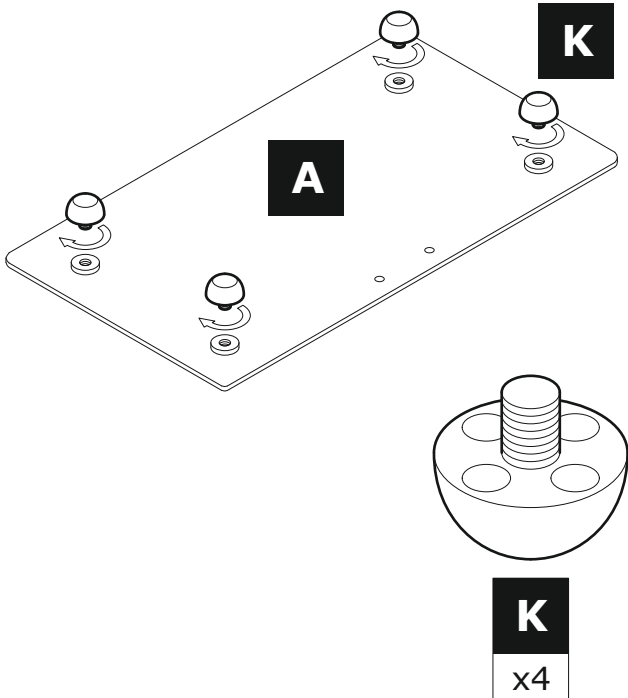
- M4 = TV4-1/2**
- M5 = TV5-1/2**
- M6 = TV6-1/2**
- M8 = TV8-1/2**

You are provided with 4 diameters of TV fixing screws, **M4**, **M5**, **M6** and **M8**. Determine the screw diameter that fits and remember for step 10.

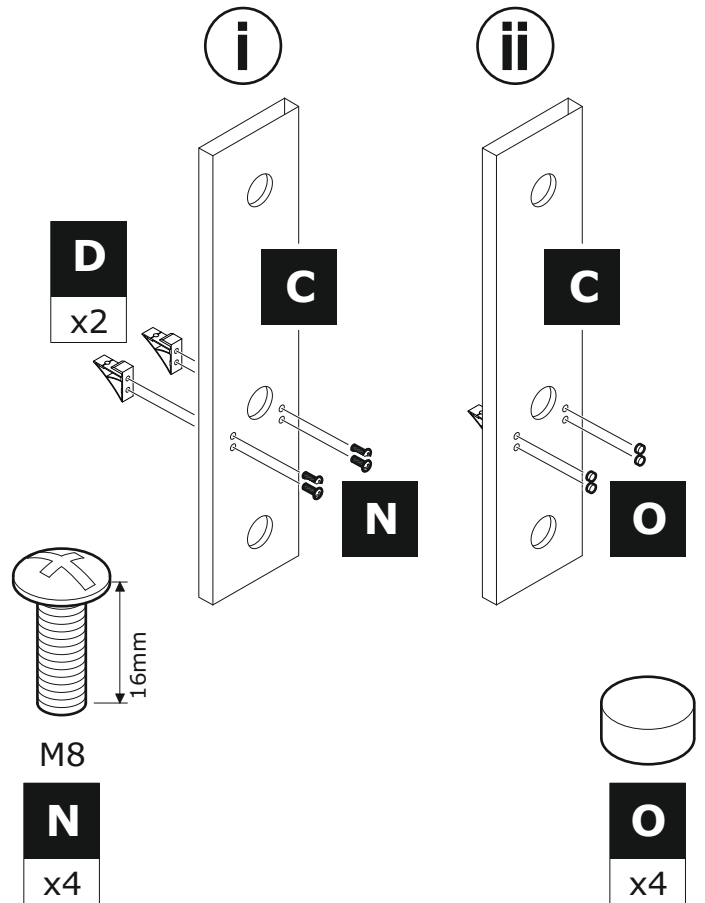
step 2



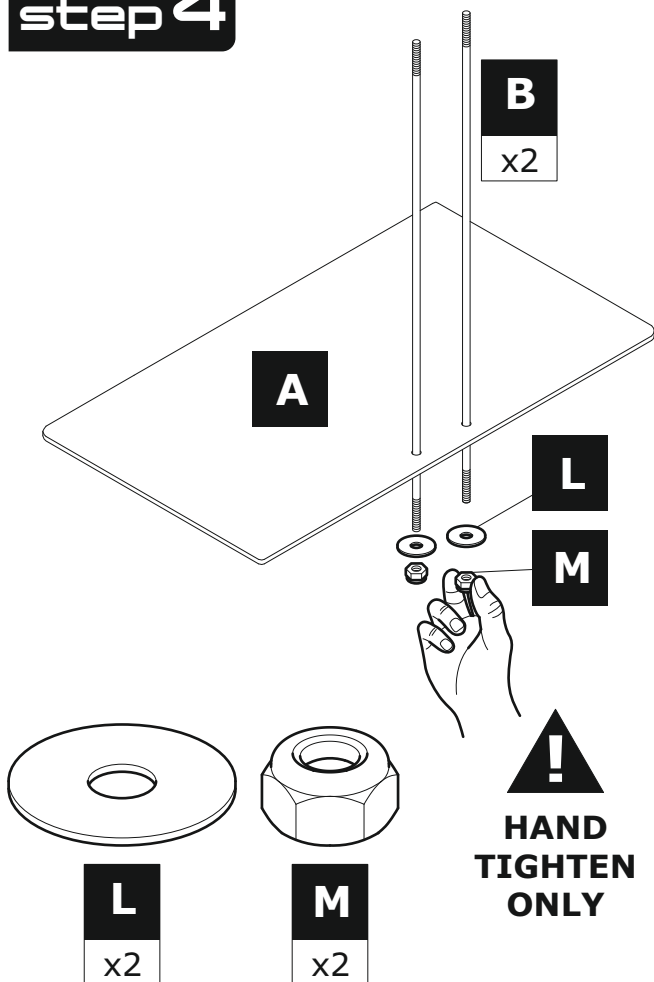
Put a piece of material underneath the glass to prevent damage.



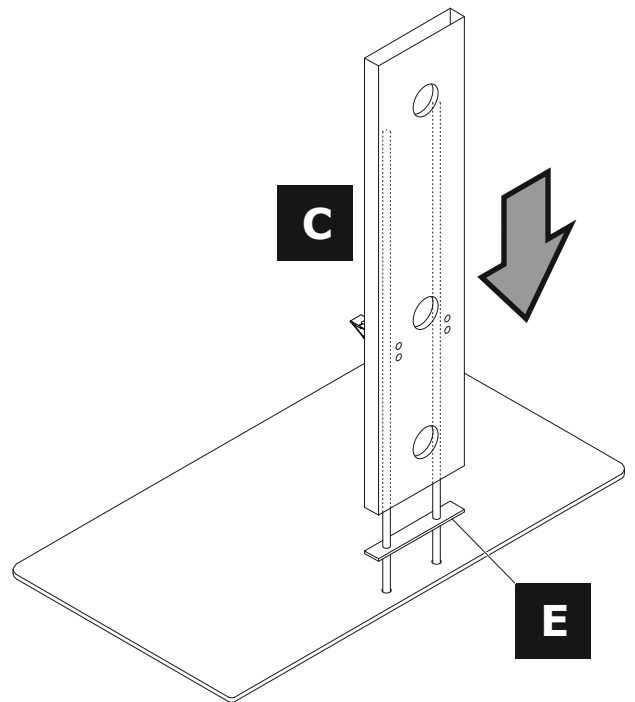
step 3



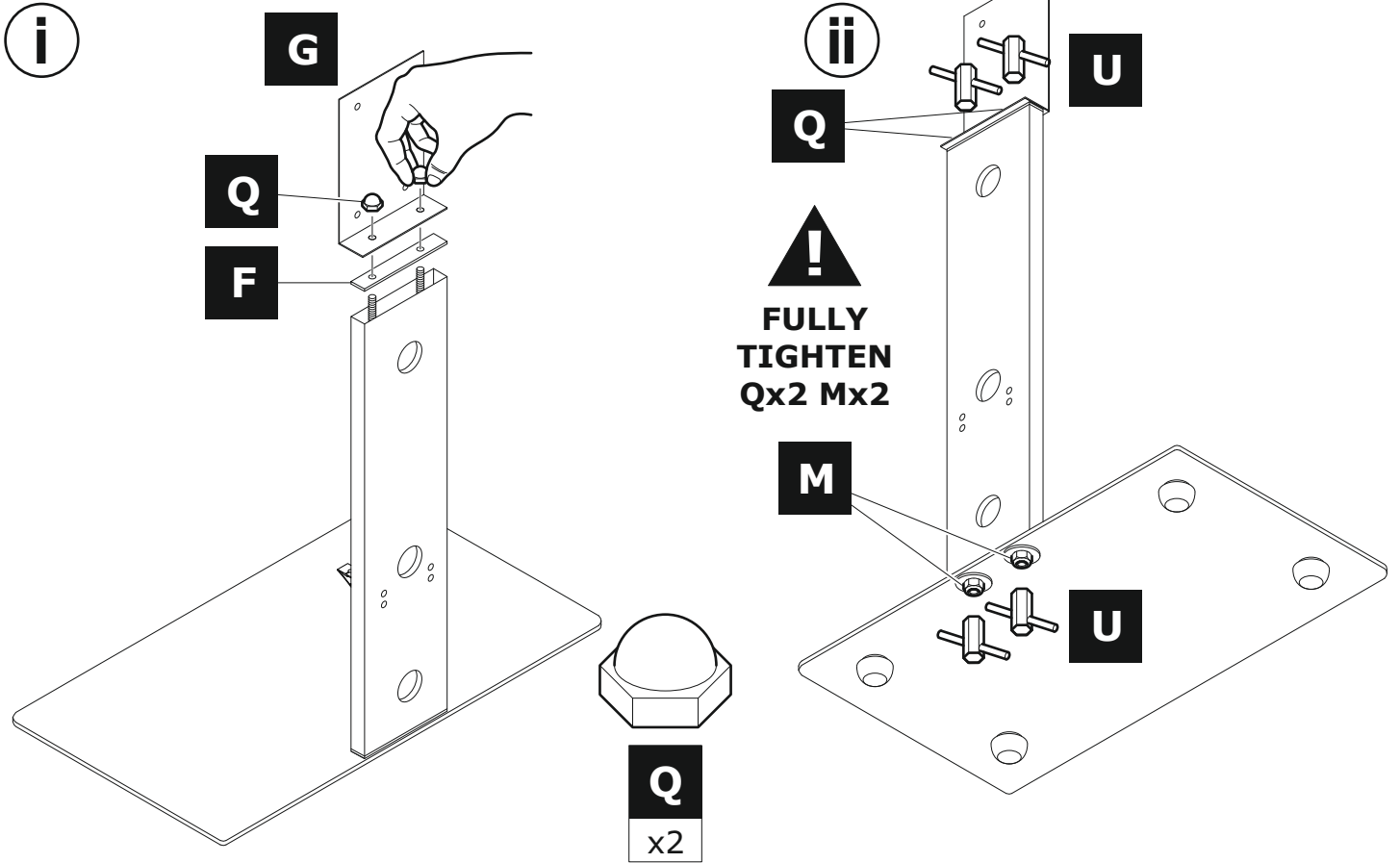
step 4



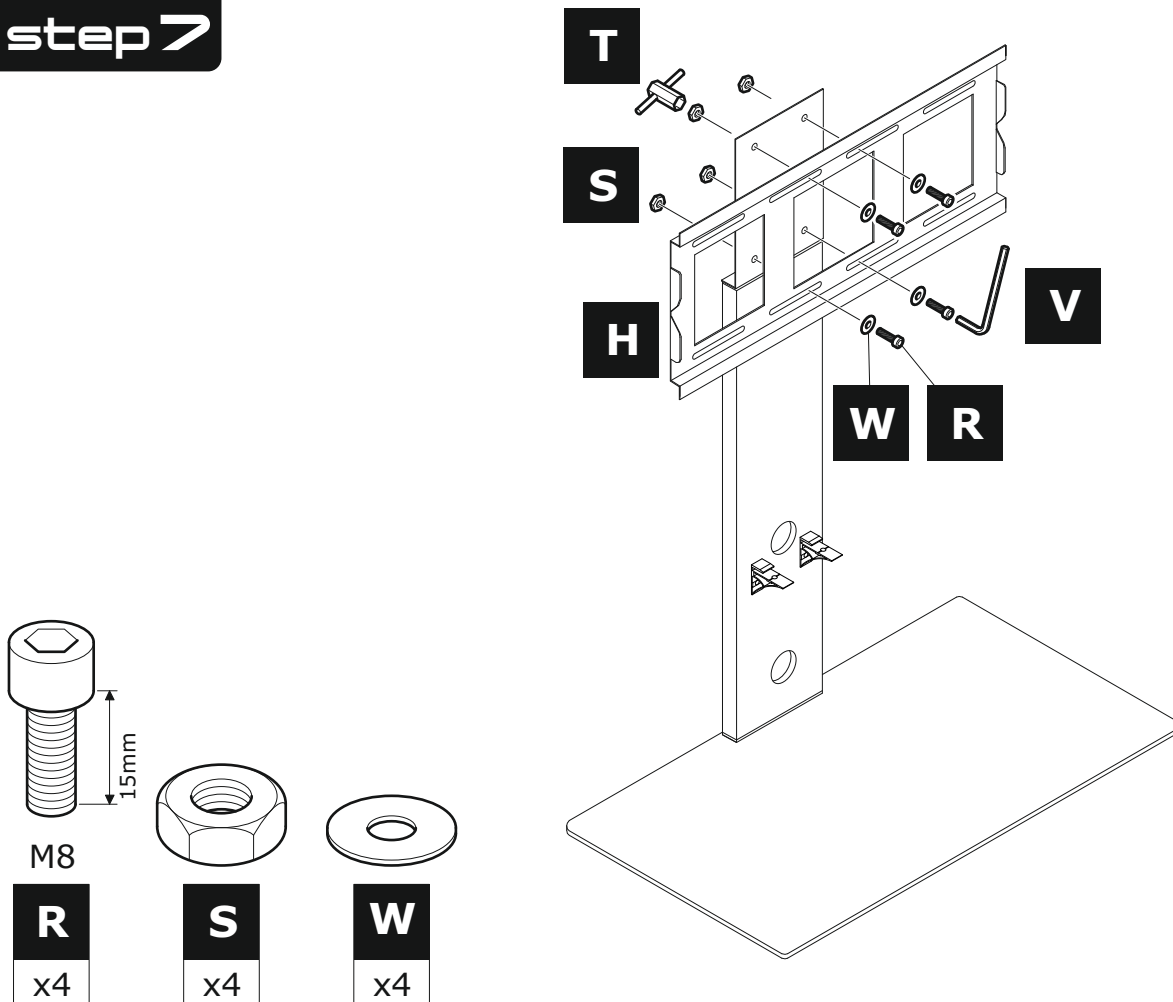
step 5



step 6



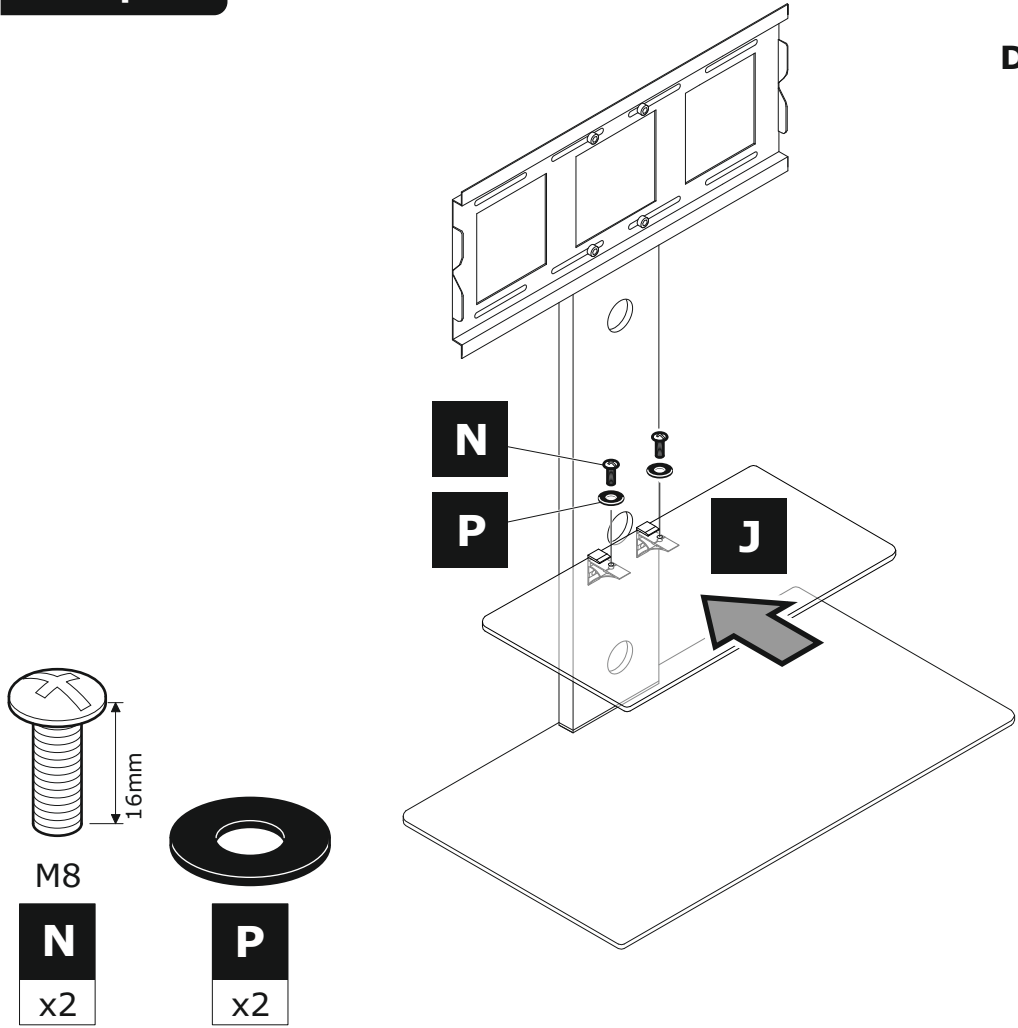
step 7



step 8



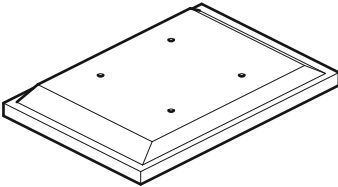
DO NOT OVER TIGHTEN



step 9

No Spacers

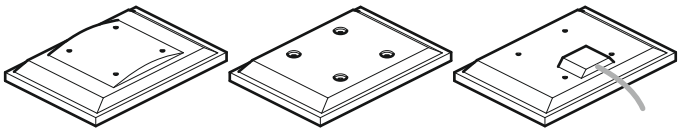
For TVs with flat/unobstructed back



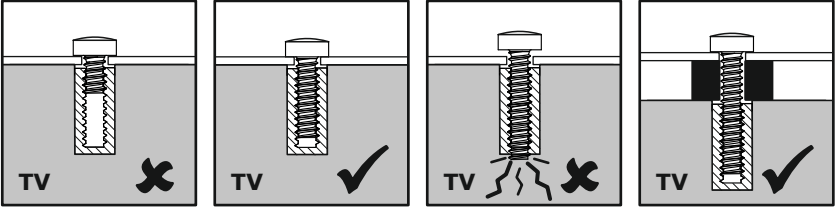
Spacers

SP1

For TVs with irregular/obstructed back

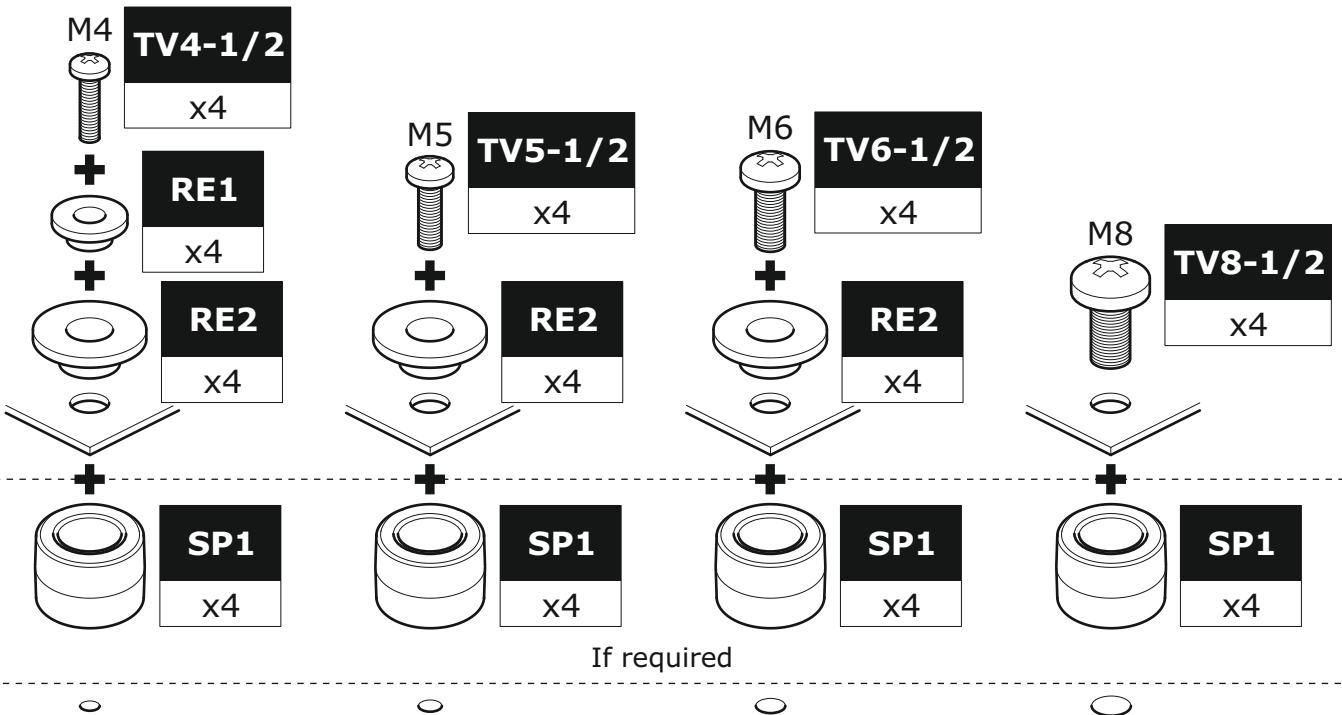
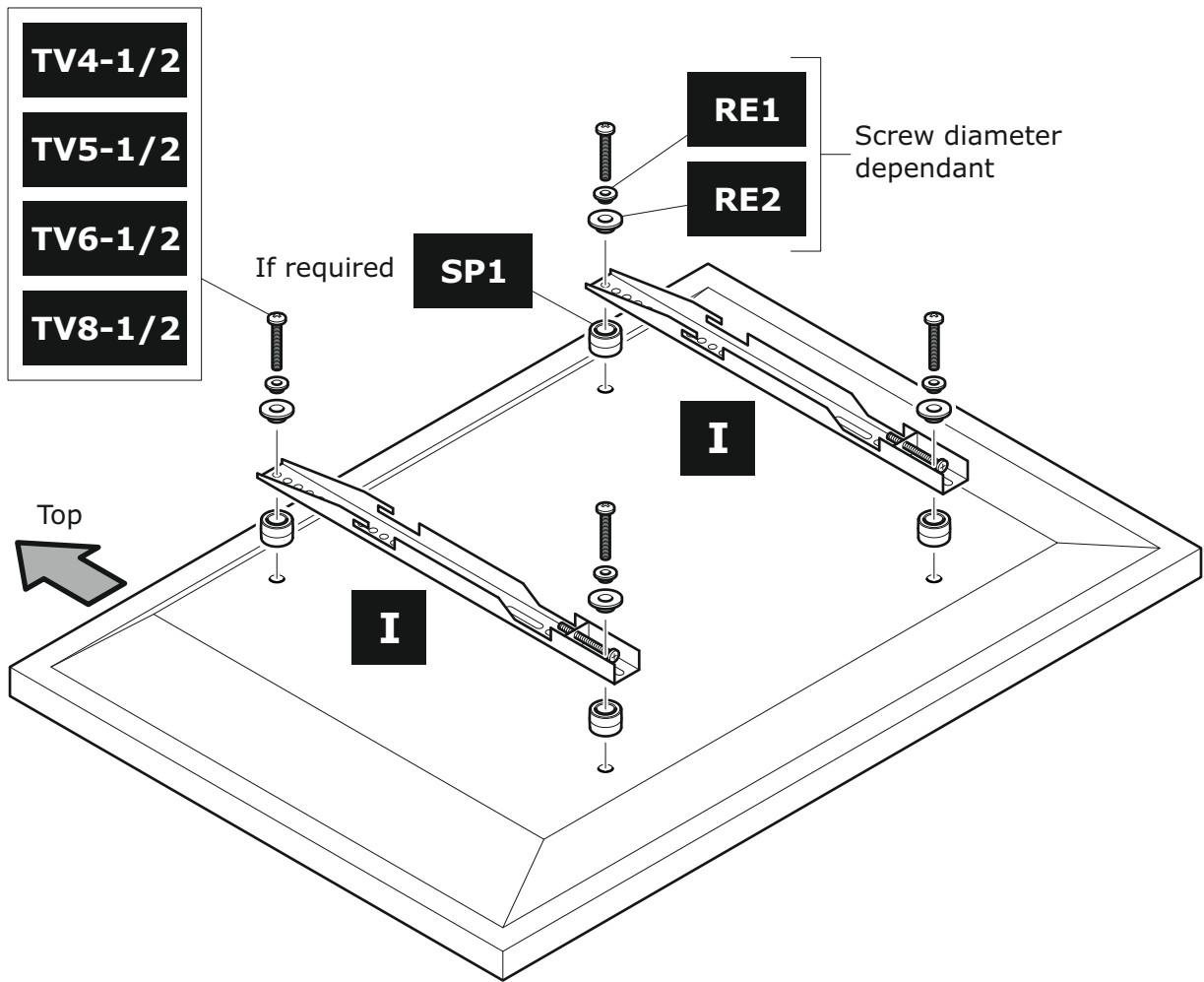


WARNING



After completing step 7 you will have fittings left over, please keep for future reference.

step 10



Attach the bracket to the back of your TV using suitable screw, reducer and spacer combinations. If you have any issues fitting to the back of your TV with the supplied screws, please call the customer services helpline.

step 11

