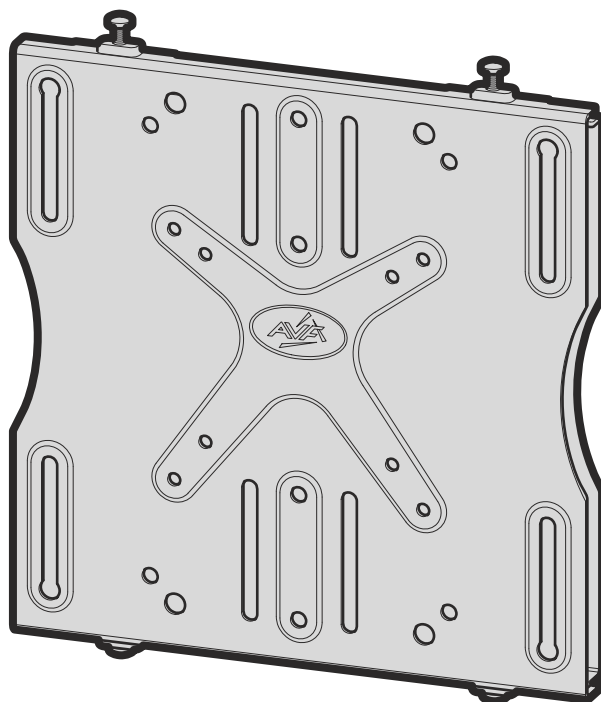


EPL550PBK

Leaflet No. 463853 rev 00



*Read through **ALL** instructions before commencing installation. If you have any questions about this product or issues with installation contact the customer services help line before returning this product to the store.*



This bracket is intended for use with **42" Maximum** televisions weighing **Maximum 40kg (88lbs)**. Use with products heavier than maximum weights may result in instability causing possible injury.

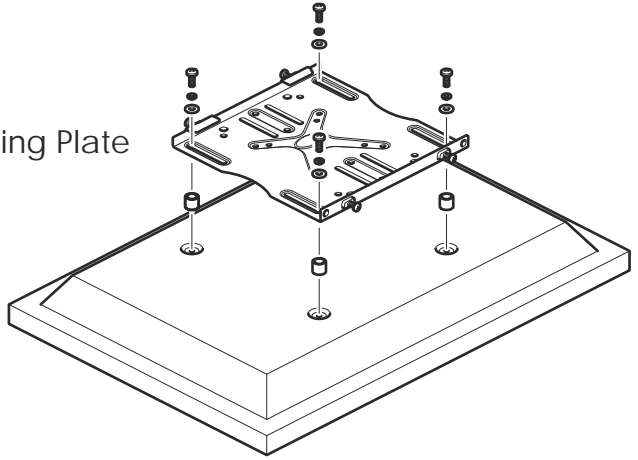
CUSTOMER SERVICES HELP LINE NUMBER:

01952 670009

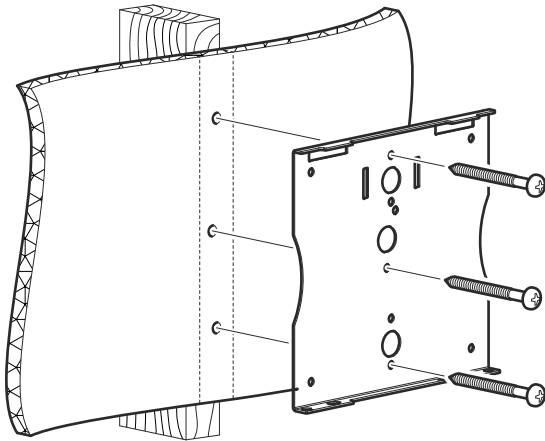


Assembly Overview

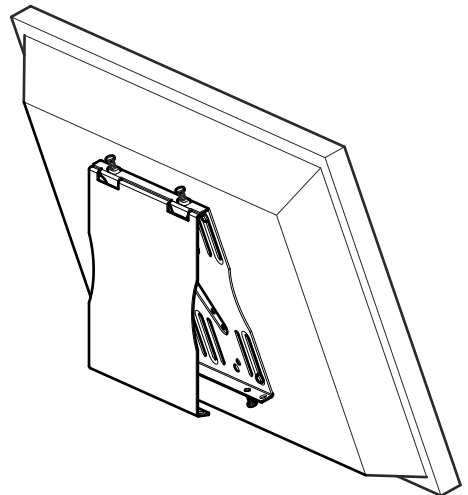
Fit the TV Mounting Plate



Fit the Wall Bracket



Attach the TV



Index

1 Measure the TV fixing holes Width and Height

2 Preparing the TV Mounting Plate

3 Fitting the TV Mounting Plate

4 Fitting the Wall Bracket

5 Attach the TV

Retain all packaging in case the bracket needs to be returned.

Contents may vary from photography/ Illustrations.

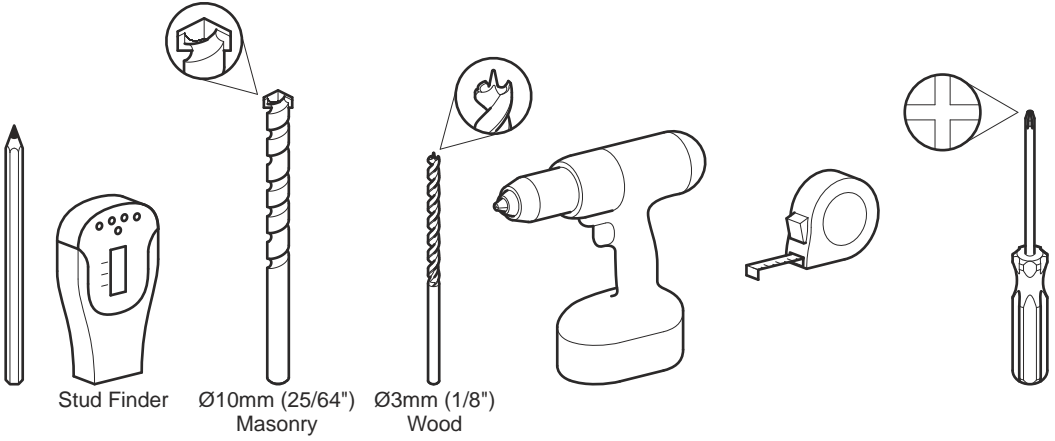
You will not need all these parts, so expect there to be some left over depending upon the specification of your TV.

This product is intended for indoor use only. Use of this product outdoors could lead to failure and personal injury.

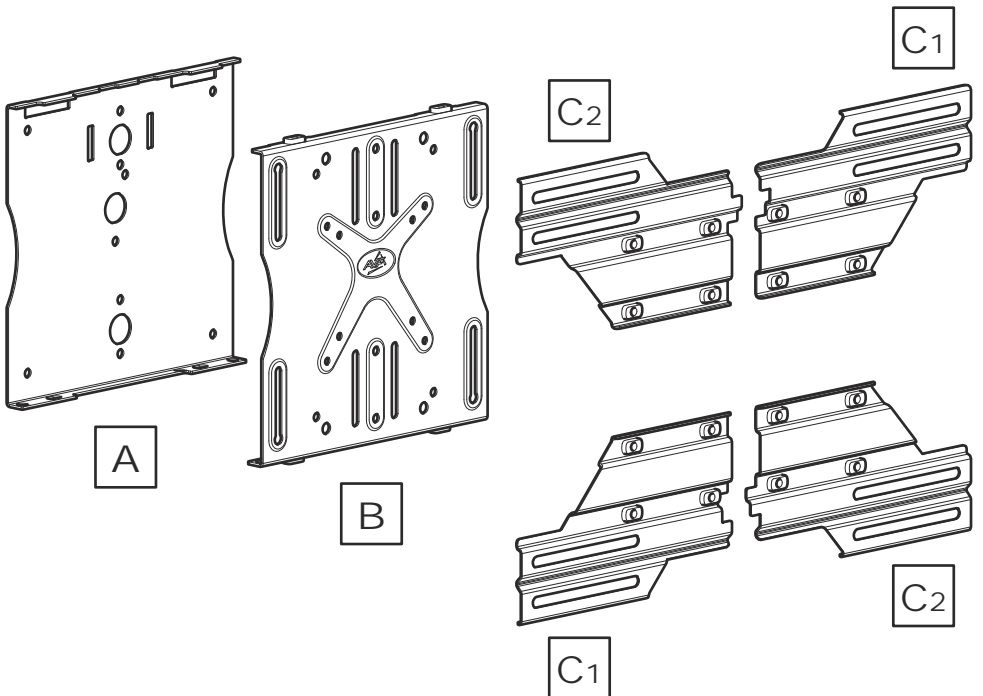
It is the responsibility of the installer to ensure that the mounting wall is of a suitable standard and void of any services (eg gas, electricity, water etc).

AVF accept no responsibility for any damage or loss caused by installing this product in a sub standard wall.

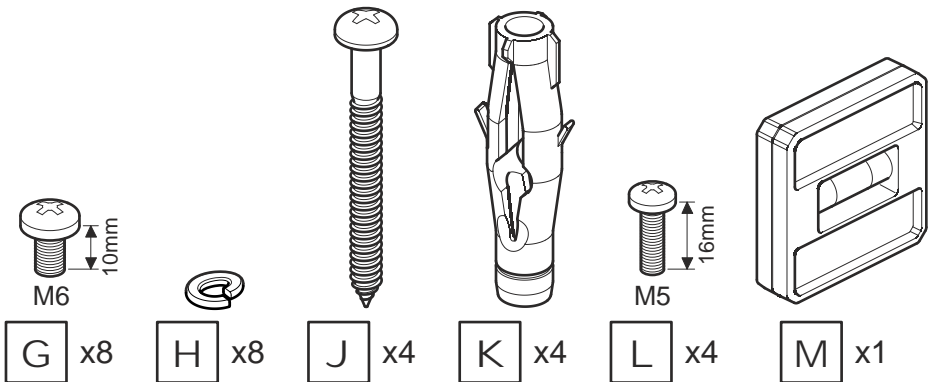
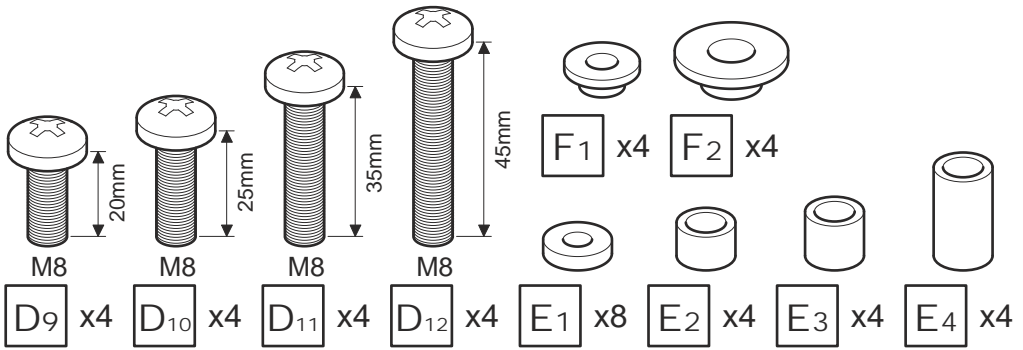
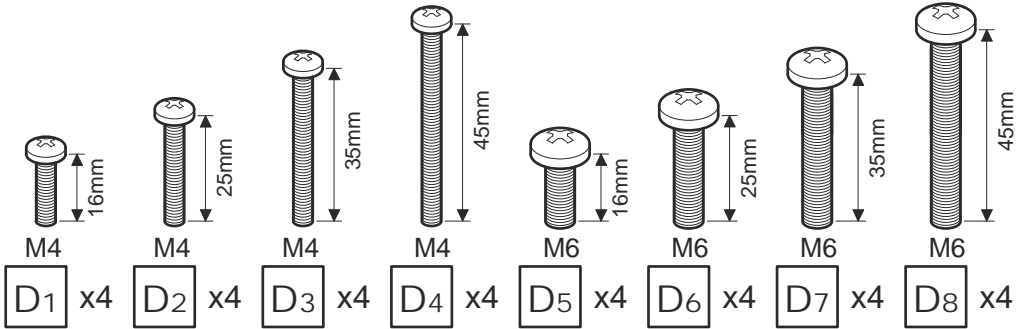
Tools Recommended



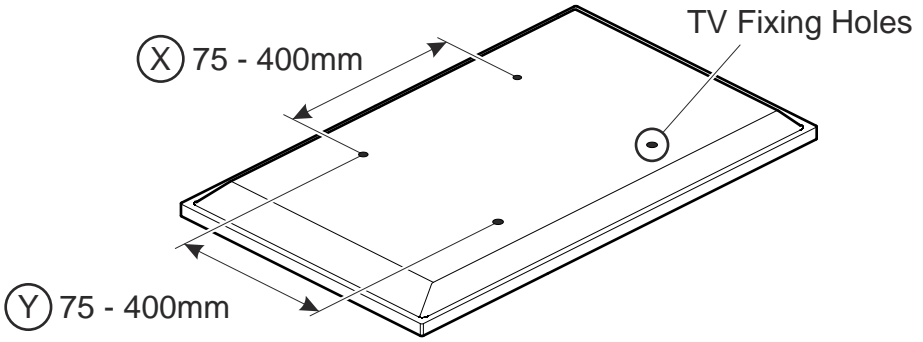
Boxed Parts



TV Screws, Reducers and Spacers

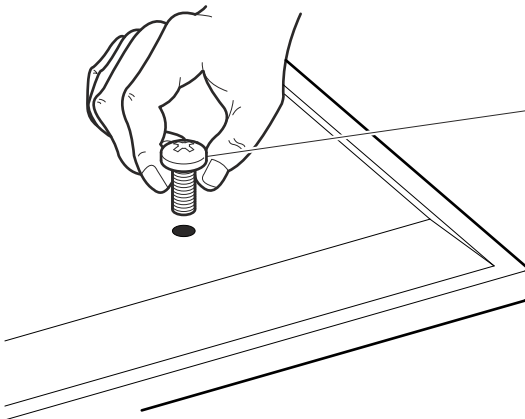


1 Measure the TV fixing holes Width and Height



If width (X) is greater than 400mm or height (Y) greater than 400mm STOP installation now and contact the customer help line

You are provided with 3 diameters of TV fixing screws, **M4**, **M6** and **M8**. Determine the screw diameter that fits and remember for step 3.



M4 =	D1-D4
M6 =	D5-D8
M8 =	D9-D12

2 Preparing the TV Mounting Plate

Use the option that fits your TV

OPTION 1

(X) = 75mm - 200mm

(Y) = 75mm - 200mm

OPTION 2

(X) = 200mm - 400mm

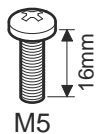
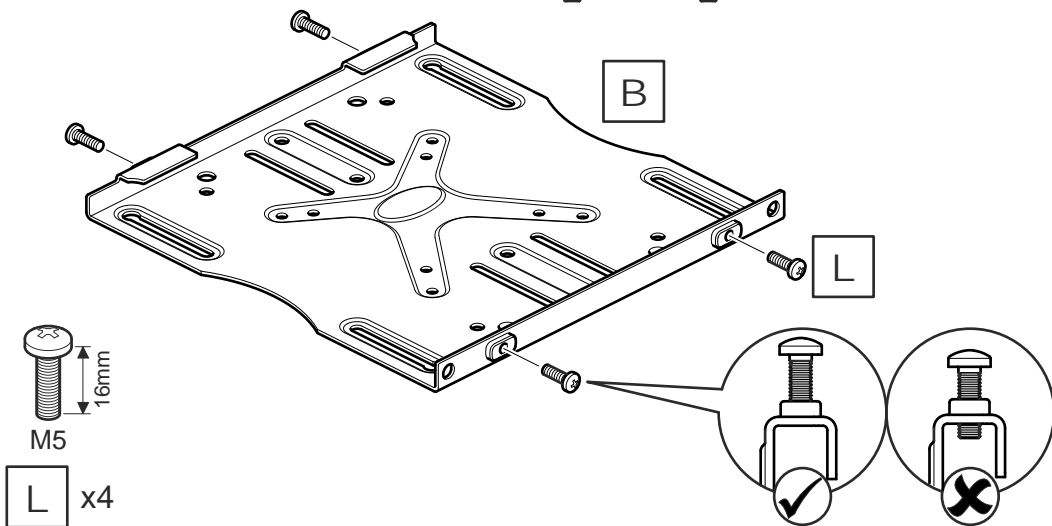
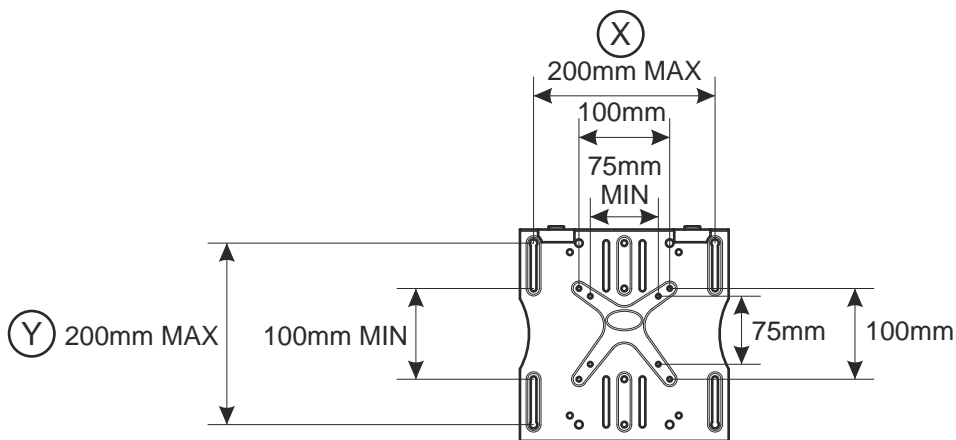
(Y) = 160mm - 300mm

OPTION 3

(X) = 200mm - 400mm

(Y) = 240mm - 400mm

OPTION 1



L x4

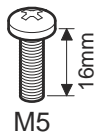
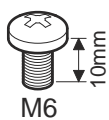
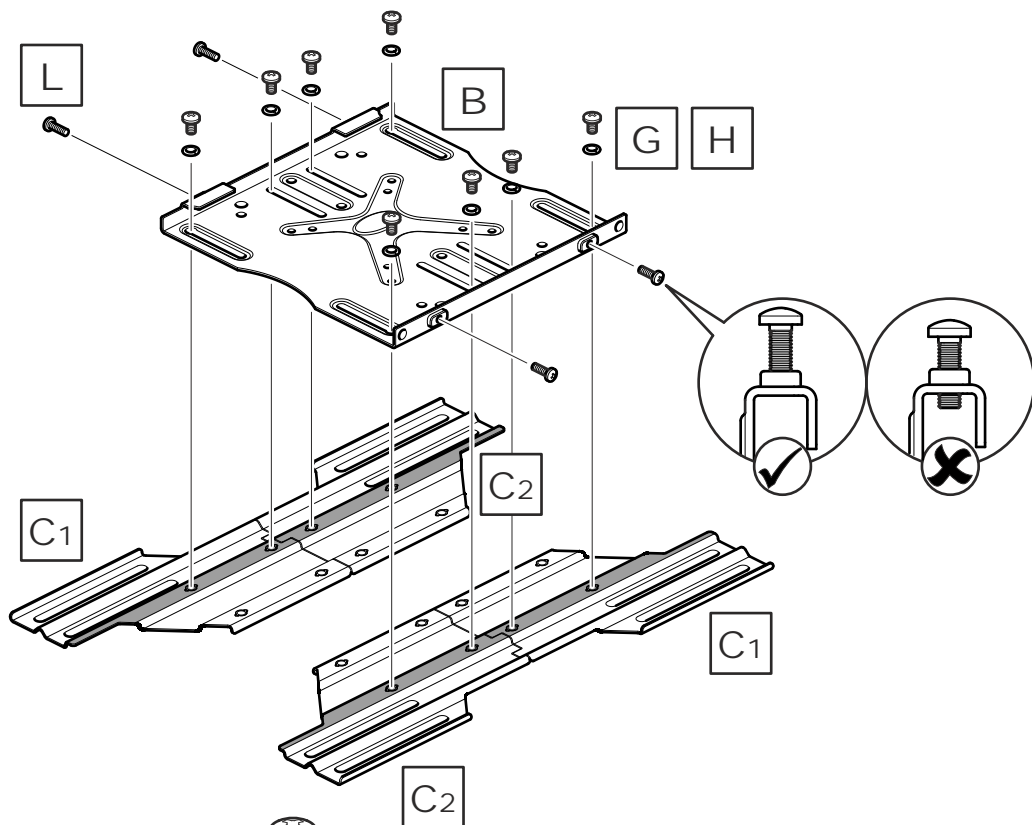
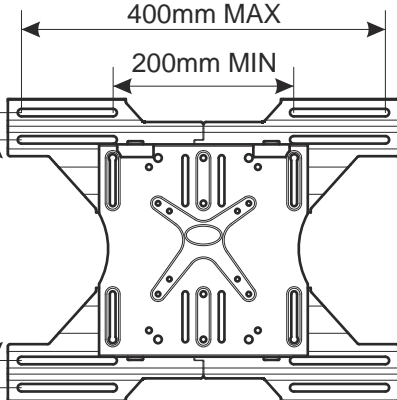
OPTION 2

Y 300mm MAX
220mm MIN

240mm MAX
160mm MIN

X 400mm MAX

200mm MIN



G x8 H x8 L x4

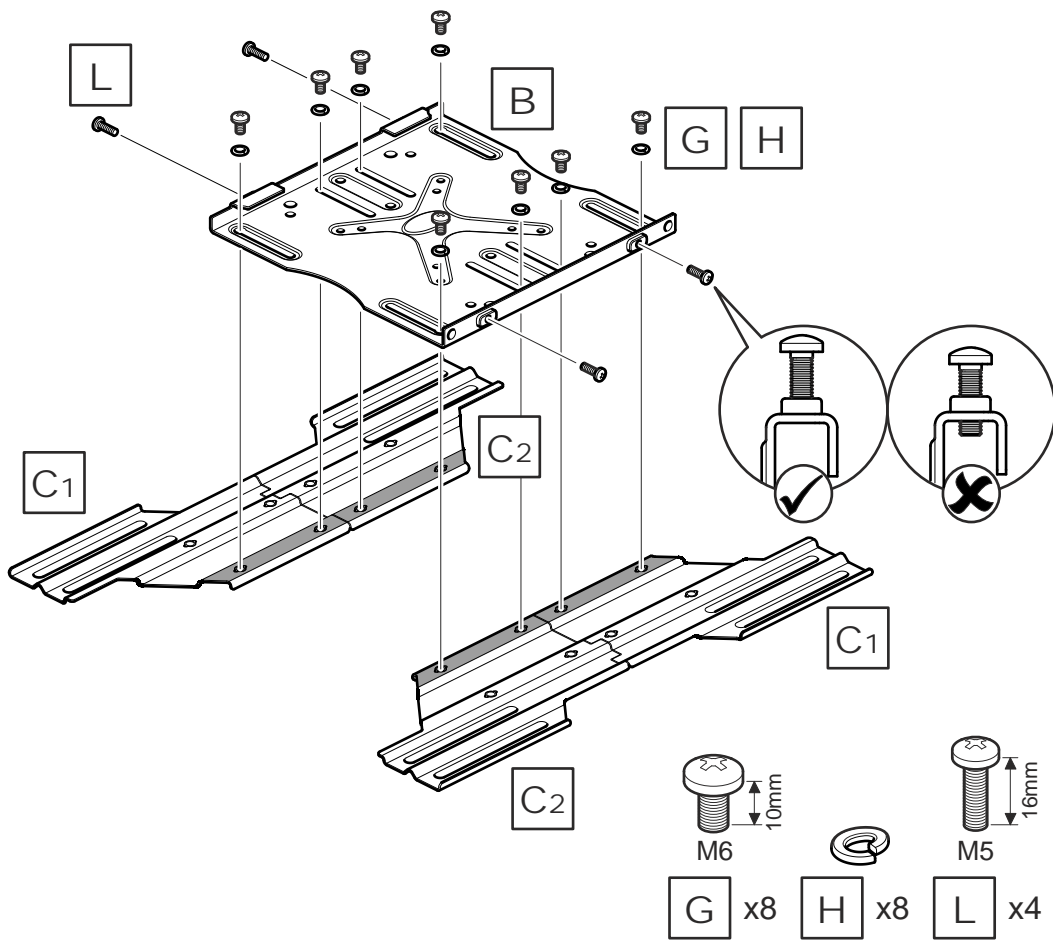
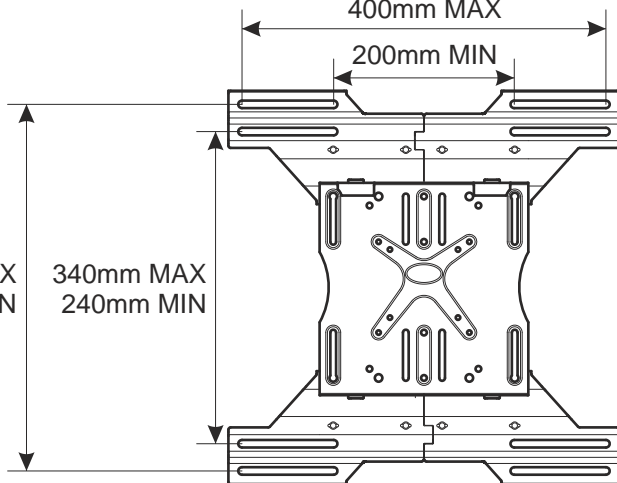
OPTION 3

(Y) 400mm MAX
300mm MIN

340mm MAX
240mm MIN

(X) 400mm MAX

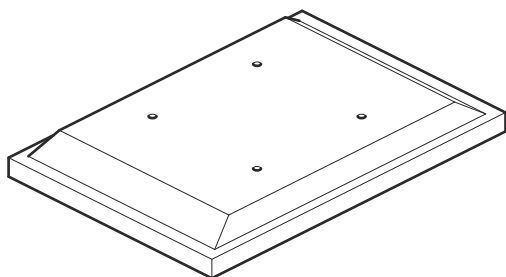
200mm MIN



3 Fitting the TV Mounting Plate

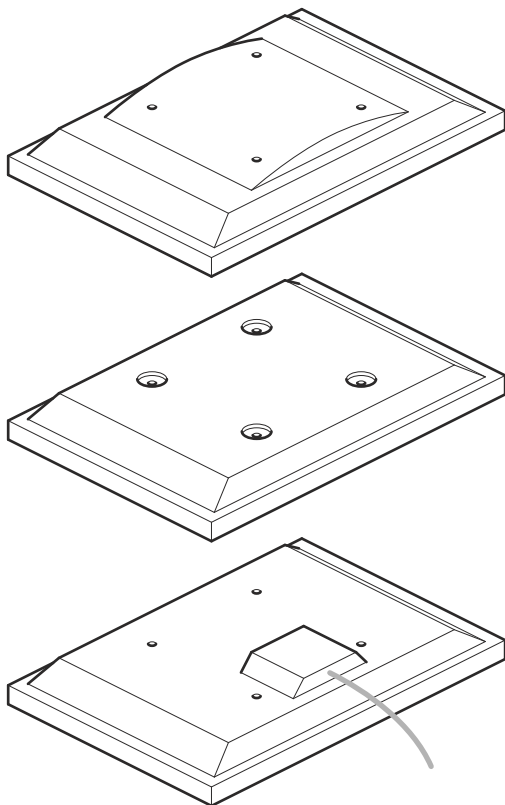
No Spacers

For TVs with flat/unobstructed back

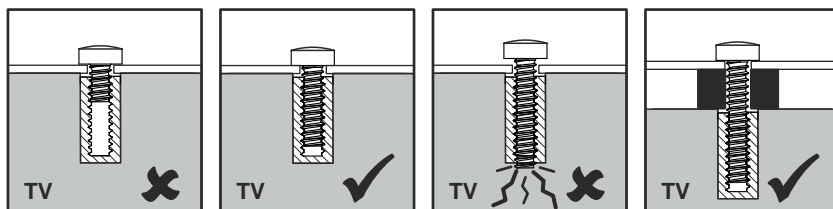


Spacers E1-E4

For TVs with irregular/obstructed back

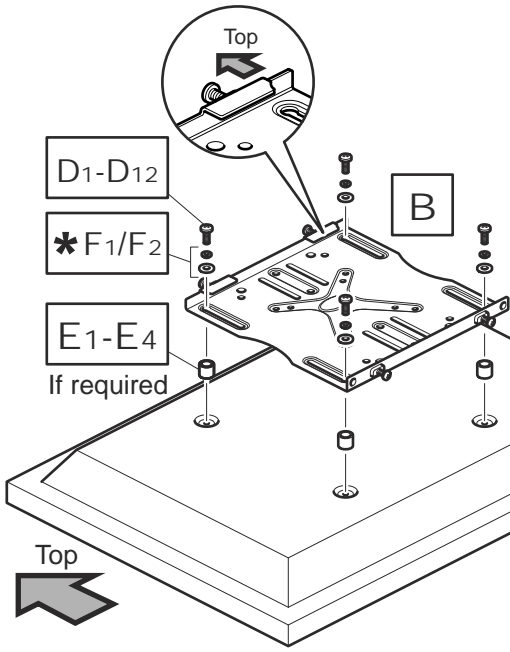


WARNING

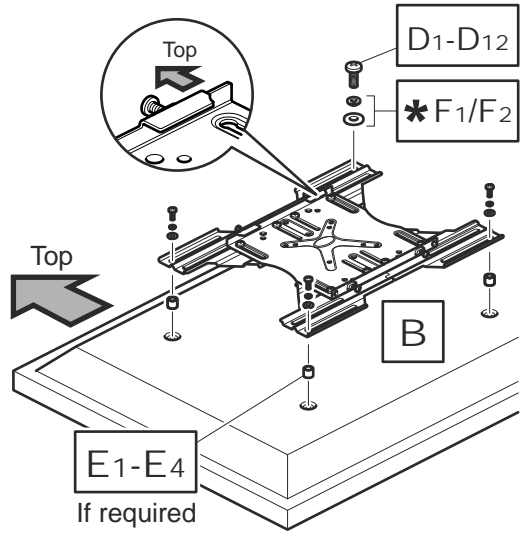


After completing step 3 you will have fittings left over, please keep for future reference

OPTION 1

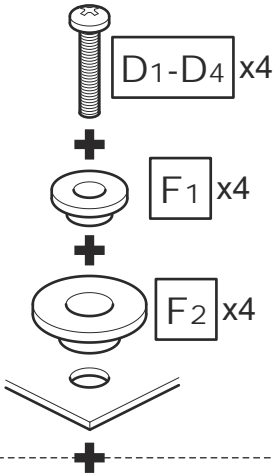


OPTION 2 & 3

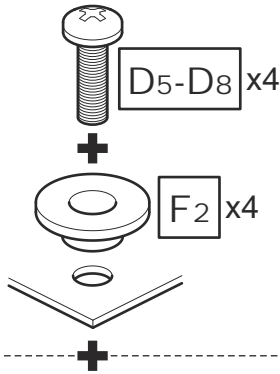


* Screw diameter dependant

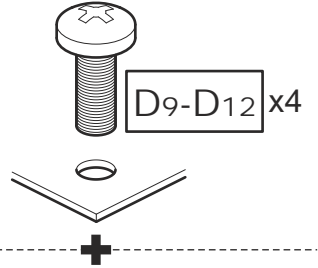
M4



M6



M8



If required E1-E4 x4

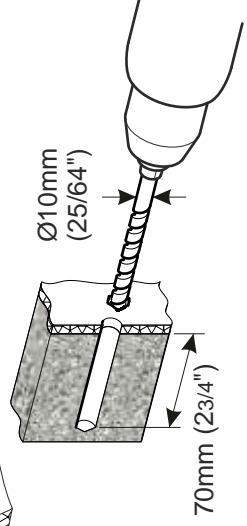
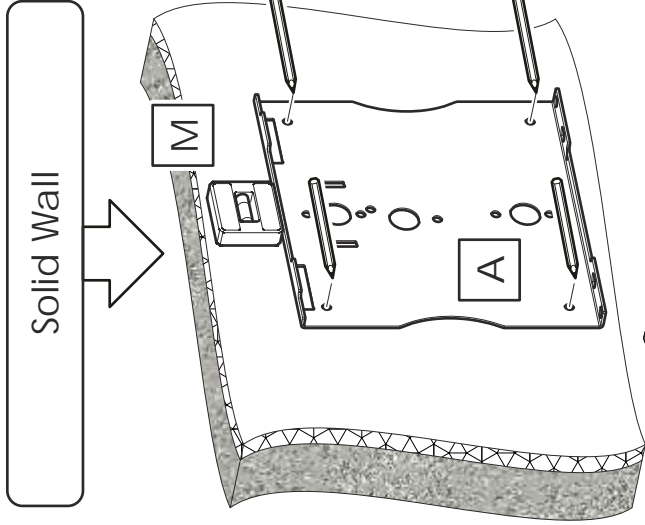
E1-E4 x4

E2-E4 x4

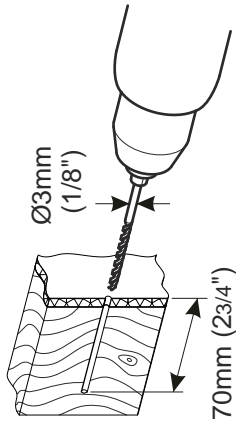
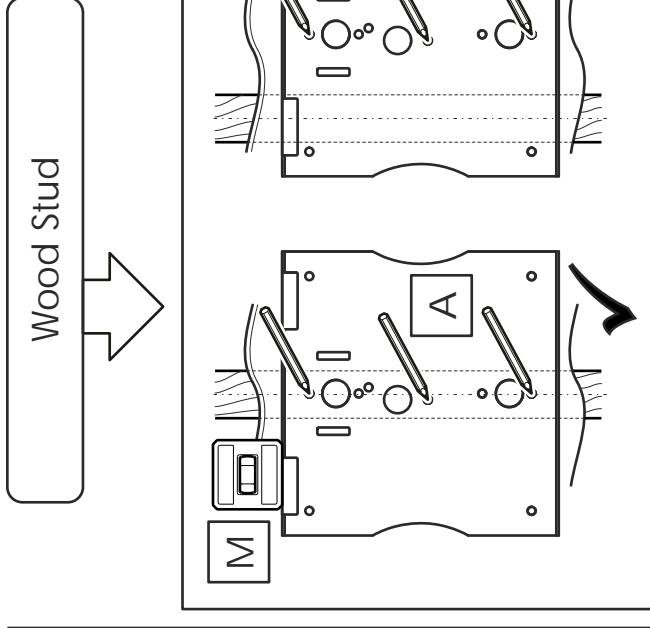
Attach the bracket to the back of your TV using suitable screw, reducer and spacer combinations.

4

Fitting the Wall Bracket

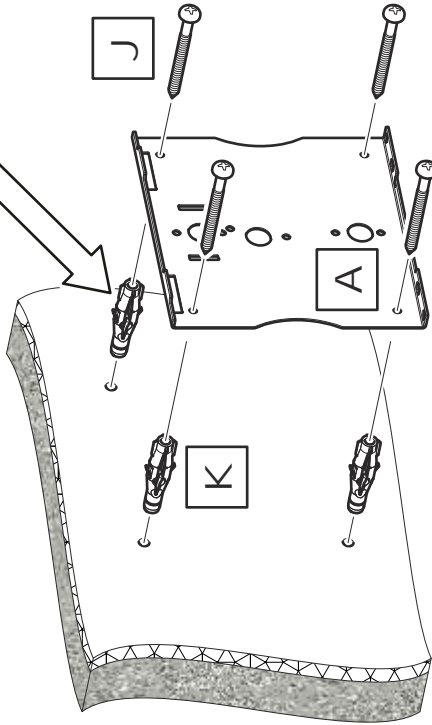
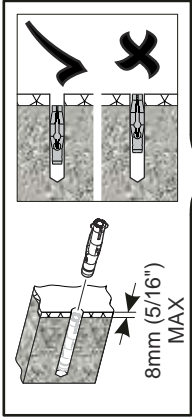


Remove dust from hole



Ensure bracket is in the centre of the wood stud





Lubricate screw
thread with soap

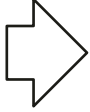
DO NOT over tighten screws
Tighten screws by hand only



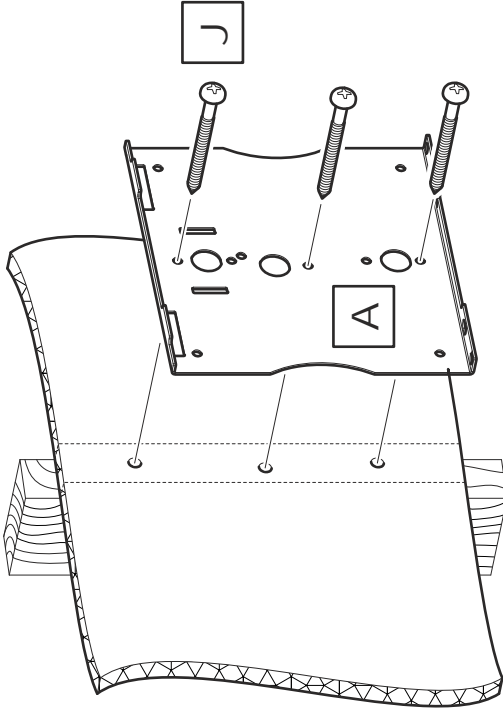
x4



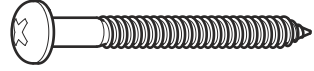
x4



Lubricate screw
thread with soap



DO NOT over tighten screws
Tighten screws by hand only

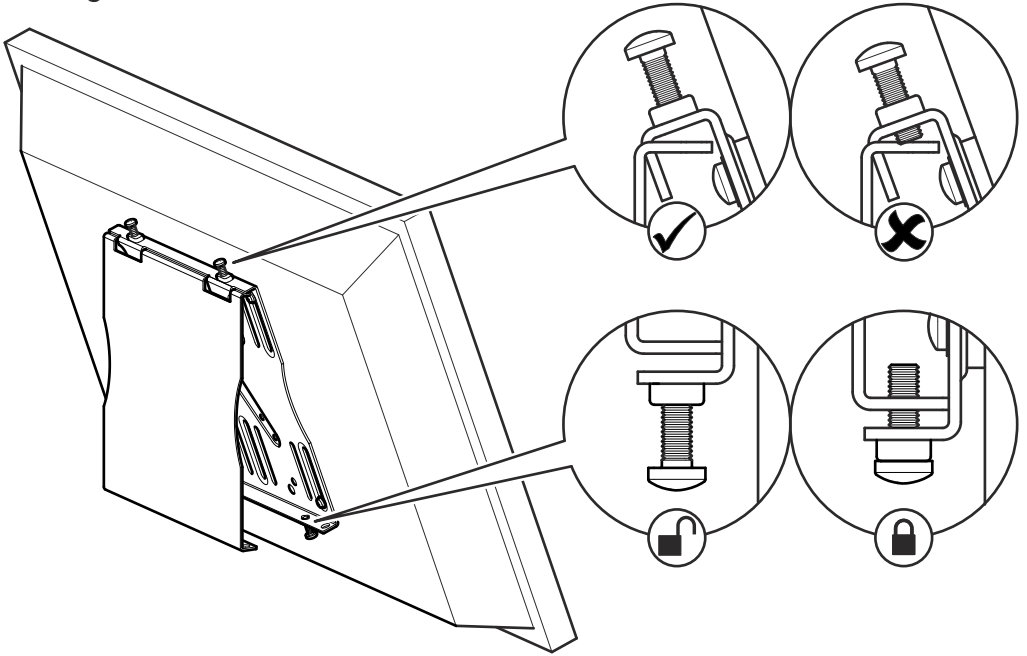


x4



5 Attach the TV

Attaching



TV Levelling

