

Periodically check all nuts and bolts are tight.

Crown AV accept no responsibility for any damage or loss caused by installing this product in a sub standard wall.

(eg gas, electricity, water etc).

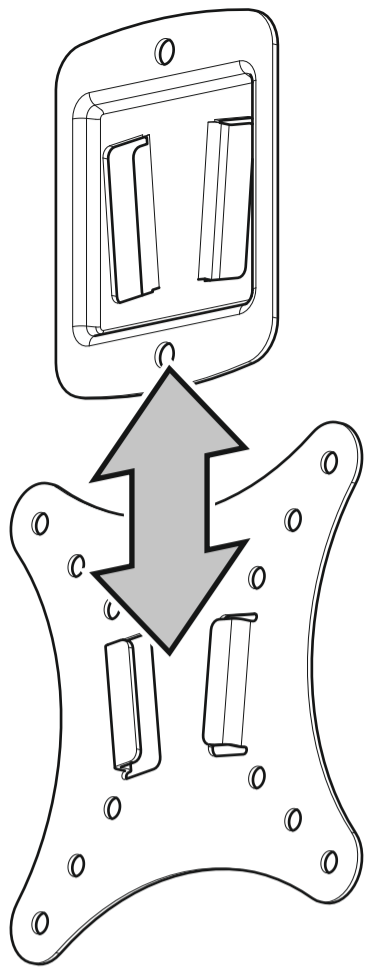
It is the responsibility of the installer to ensure that the mounting wall is of a suitable standard and void of any services.

This product is intended for indoor use only. Use of this product outdoors could lead to failure and personal injury.

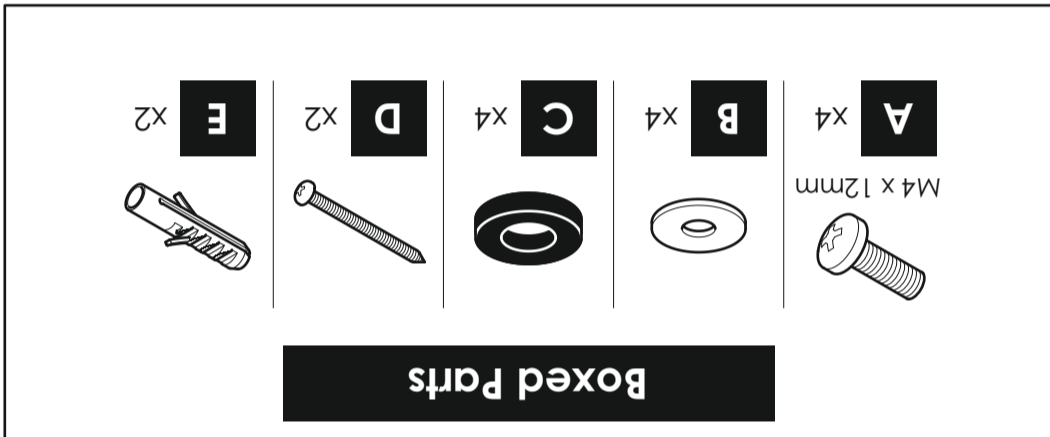
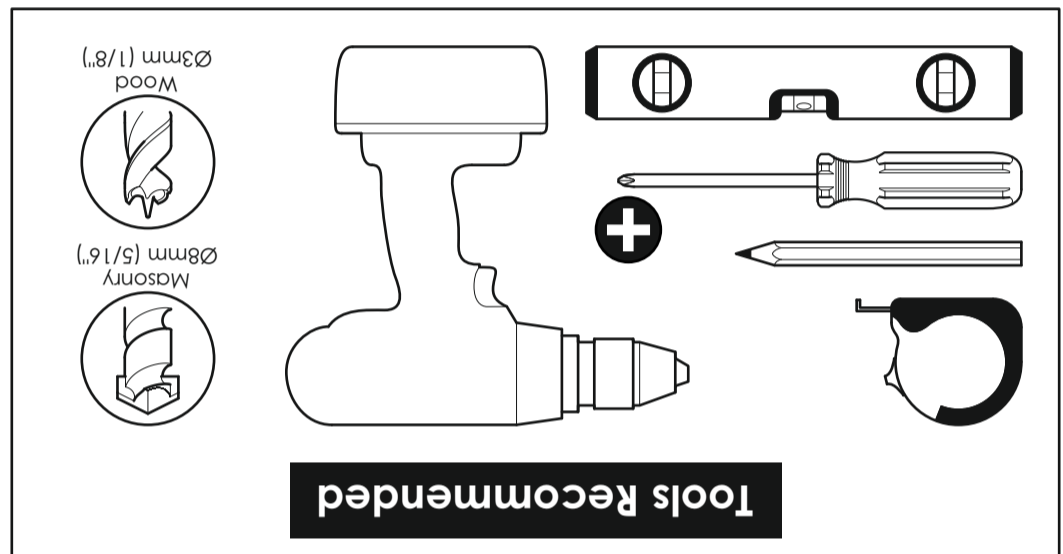
You will not need all these parts, so expect there to be some left over depending upon the specification of your TV.

Contents may vary from photography/illustrations.

Retain all packaging in case the bracket needs to be returned.



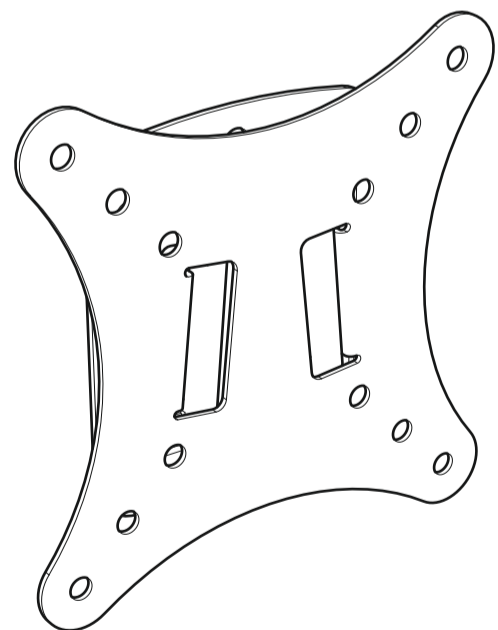
**Step 1**



**MTC100**  
463690 rev 00

**25"**  
64cm

**33lbs**  
15kg



**Read through ALL instructions before commencing assembly.**  
**If you have any questions about this product or issues with assembly contact the customer help line before returning this product to the store.**

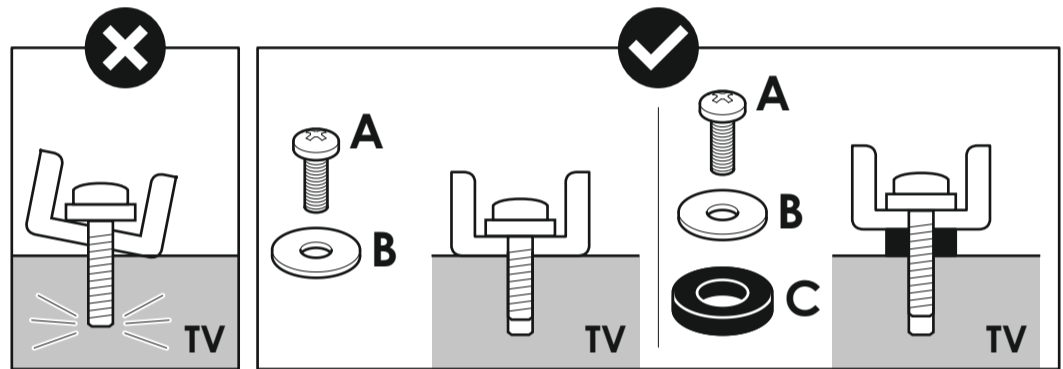
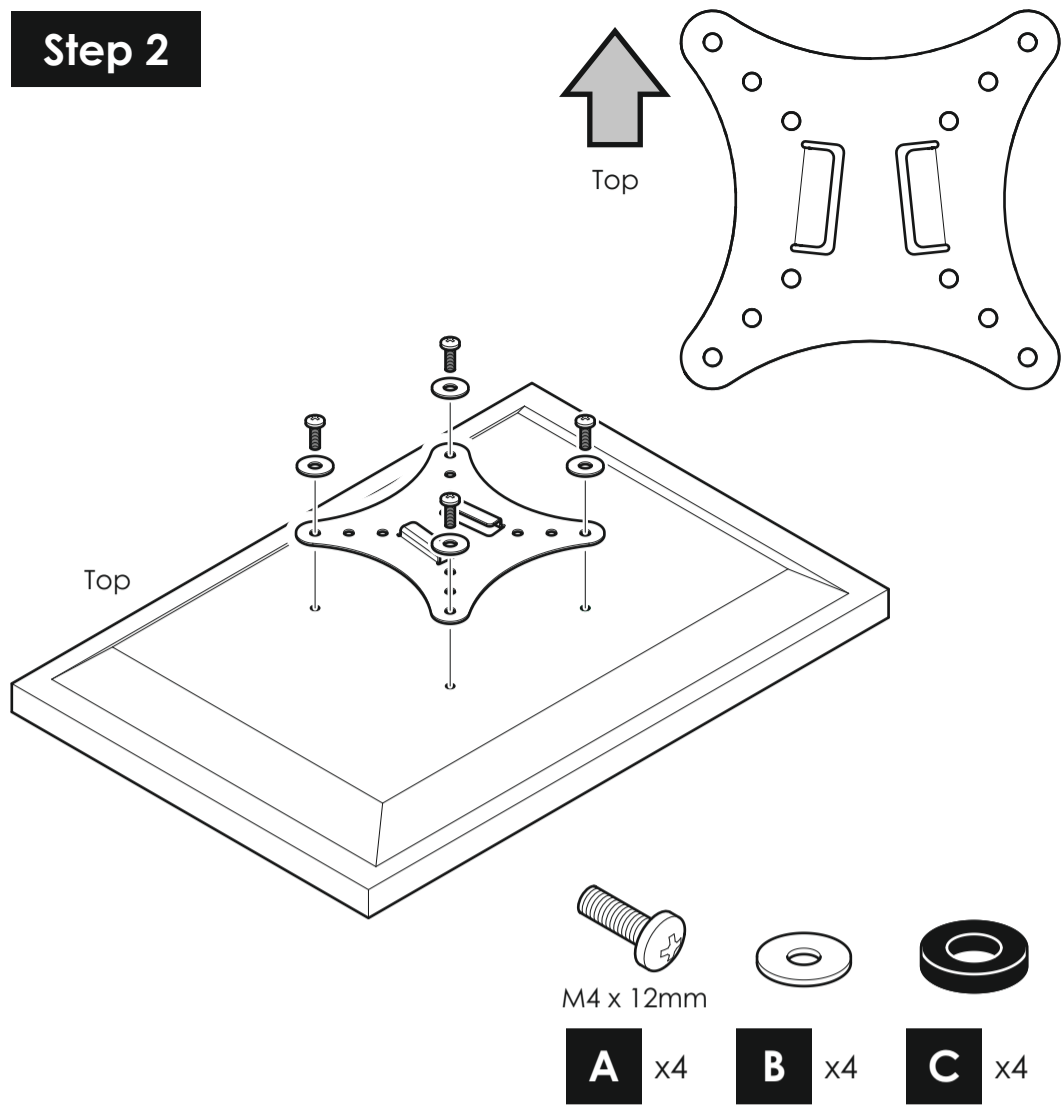
Crown AV, PO Box 342,  
Telford, TF1 9DU, UK



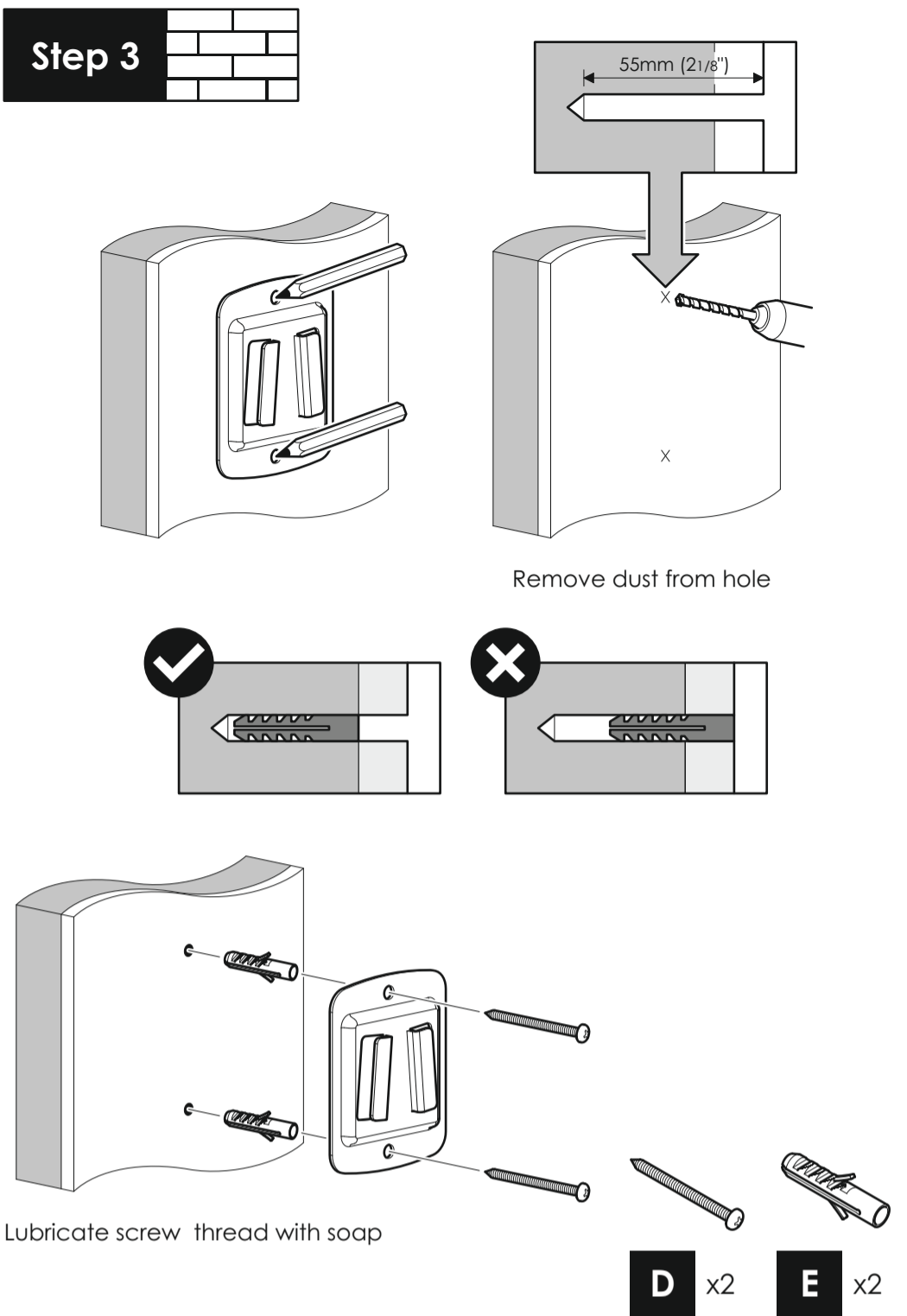
Customer Help Line  
**01952 678859**

www.crownav.co.uk

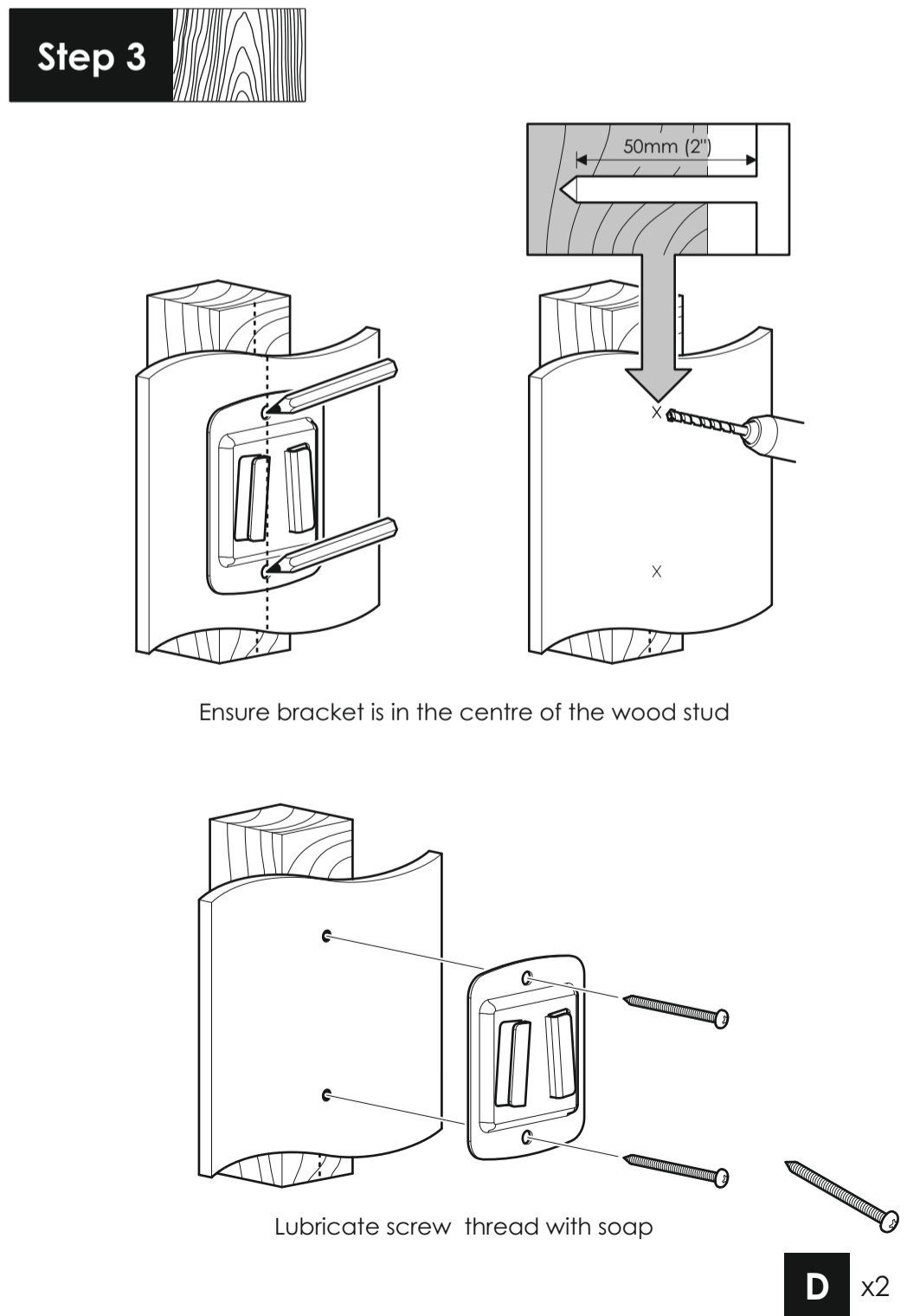
## Step 2



## Step 3



## Step 3



## Step 4

