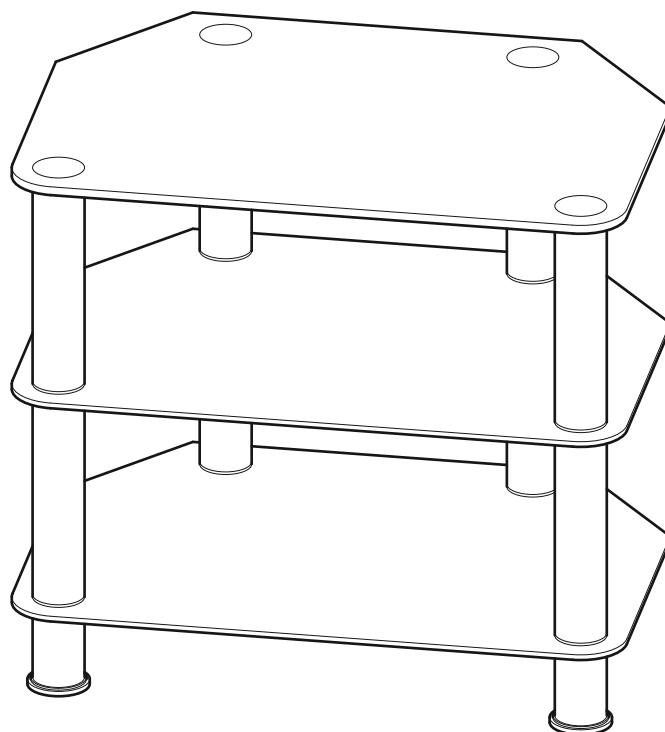


# SDC600

463679 rev01



**Read through ALL instructions before commencing assembly.  
If you have any questions about this product or issues with assembly  
contact the customer help line before returning this product to the store.**

Crown AV, PO Box 342,  
Telford, TF1 9DU, UK



Customer Help Line  
**01952 678859**

[www.crownav.co.uk](http://www.crownav.co.uk)

## IMPORTANT INFORMATION!

We advise that before starting the assembly of this product that you familiarise yourself with the instructions and the parts list in this leaflet.

### Do not's

**Do not** over tighten any part of this assembly

**Do not** place hot or cold objects on to or close to any glass surface unless the object is sufficiently insulated to prevent contact.

**Do not** strike the glass with hard or pointed items.

**Do not** sit or stand upon horizontal glass surfaces.

**Do not** use washing powders or other substances containing abrasives when cleaning the glass surfaces as these may scratch the glass.

### Do's

**Do** use a damp cloth with diluted washing up liquid for cleaning the glass surfaces.

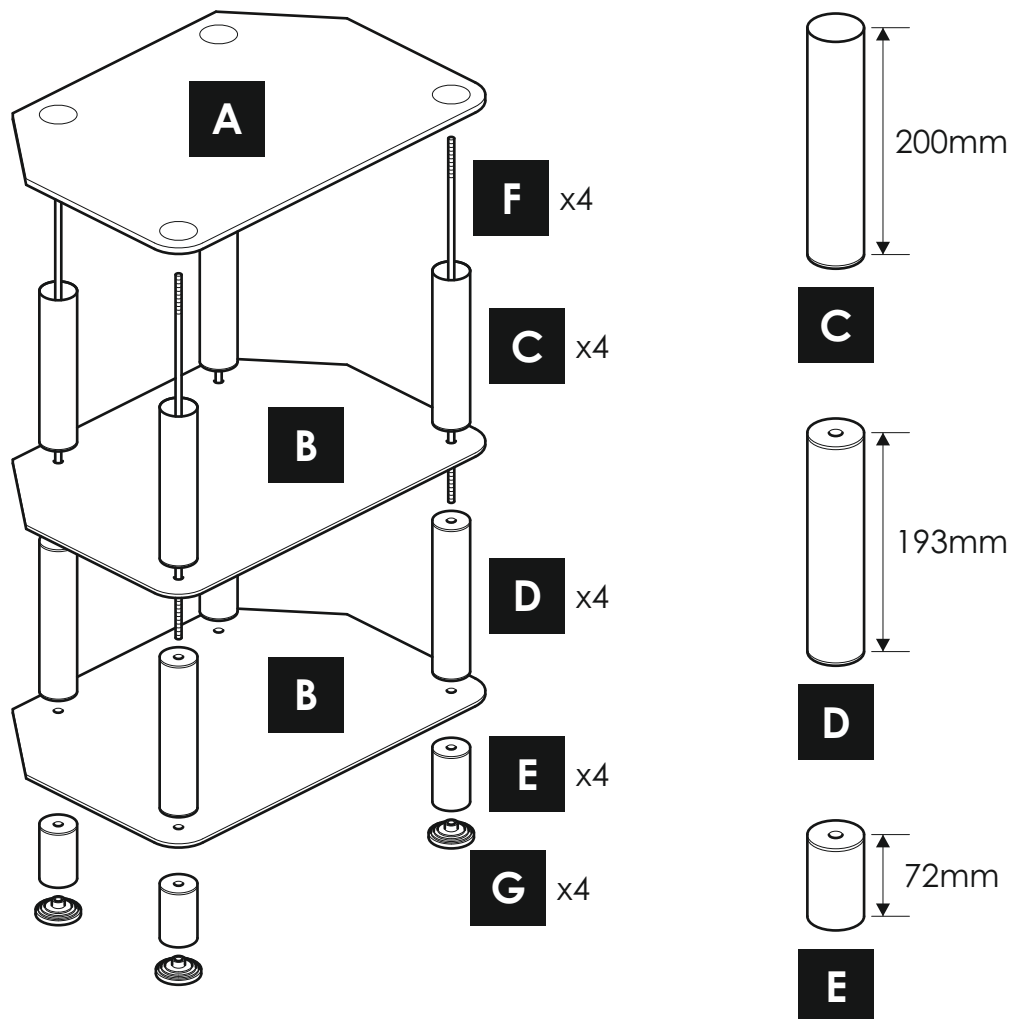
### Maximum TV size and weight capacity

TV weight must not exceed 77lbs / 35kgs.

The maximum load for the middle and bottom shelves is 44lbs / 20kgs each.

**WARNING** Wherever possible distribute weight evenly.

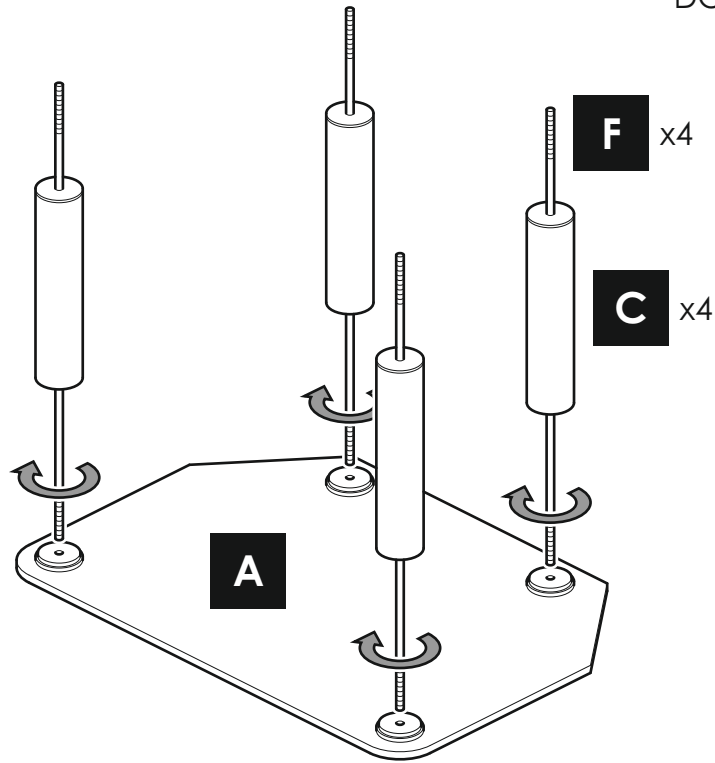
## Boxed Parts



## Step 1

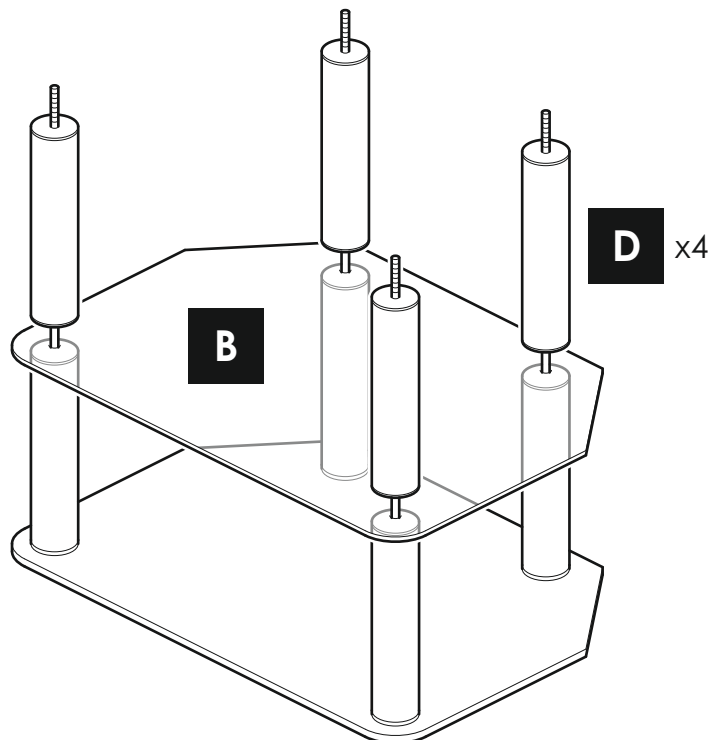


DO NOT OVER TIGHTEN

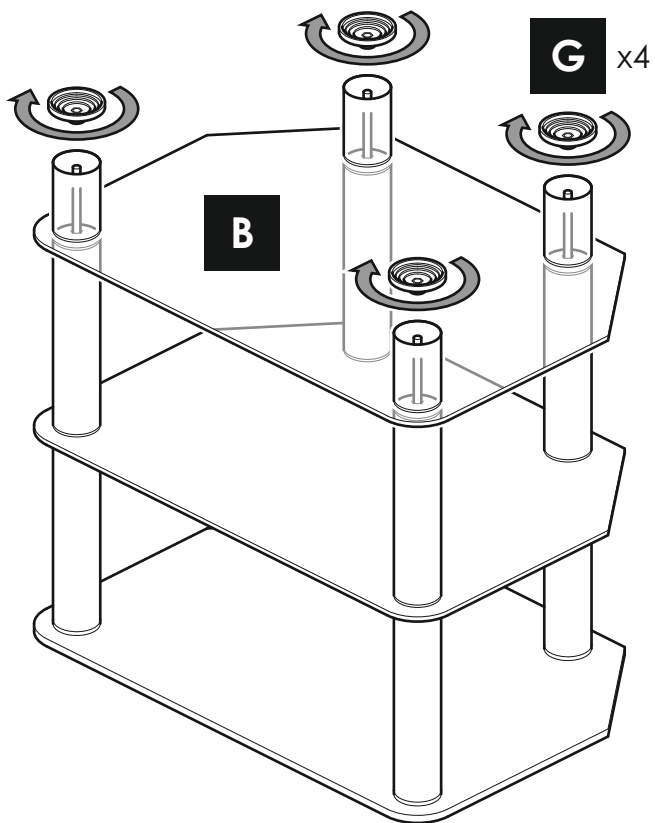


Put a piece of material underneath the glass to prevent damage.

## Step 2



### Step 3



DO NOT OVER TIGHTEN

### Step 4

