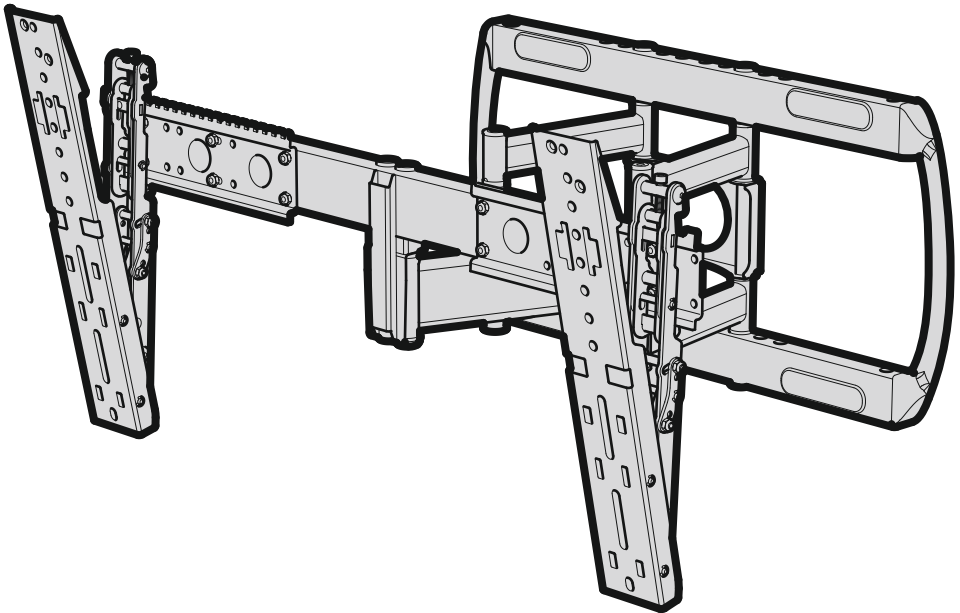


JZL8555

Leaflet No. **463452** rev01



Read through **ALL** instructions before commencing installation. If you have any questions about this product or issues with installation contact the customer services helpline before returning this product to the store. See jl.avfgroup.com/p/jzl8555 for more information.

CUSTOMER SERVICES HELP LINE NUMBER:

01952 670009

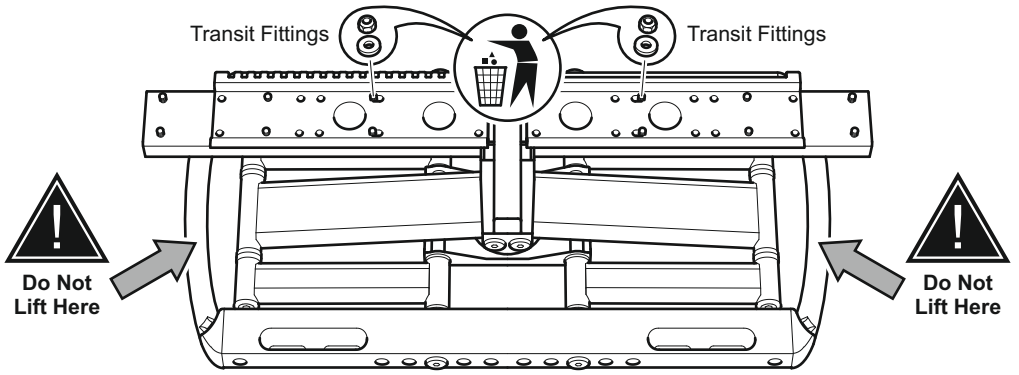


149lbs
68kg



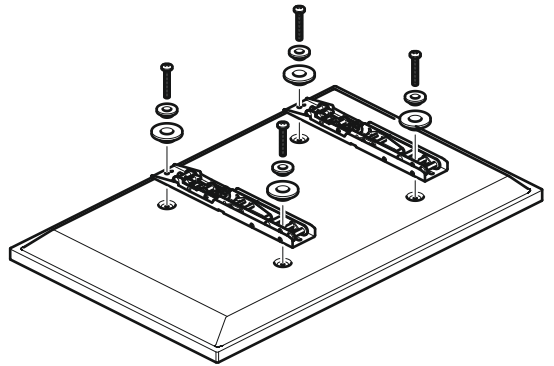
65"
165cm

AVF Group Ltd. Hortonwood 30, Telford, Shropshire, TF1 7YE, England

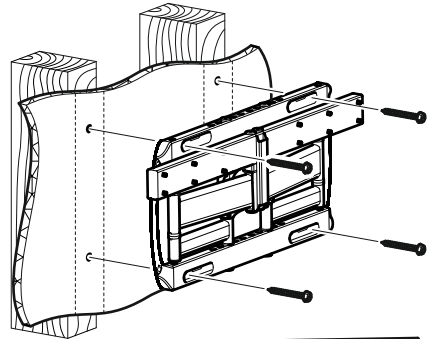


Assembly Overview

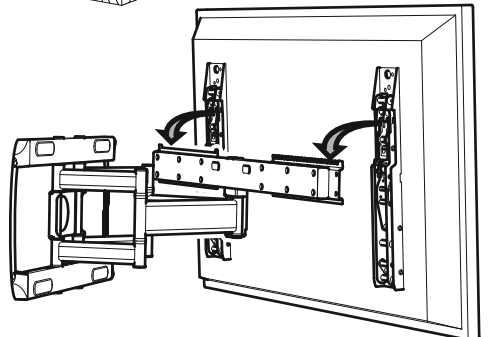
Fit the TV Brackets



Fit the Wall Bracket



Connect the TV



Index

1 Measure the TV fixing holes Width and Height

2 Fitting the TV Brackets

3 Fitting the Wall Bracket

4 Finishing the Wall Bracket

5 Connecting the TV

Retain all packaging in case the bracket needs to be returned.

Contents may vary from photography/ Illustrations.

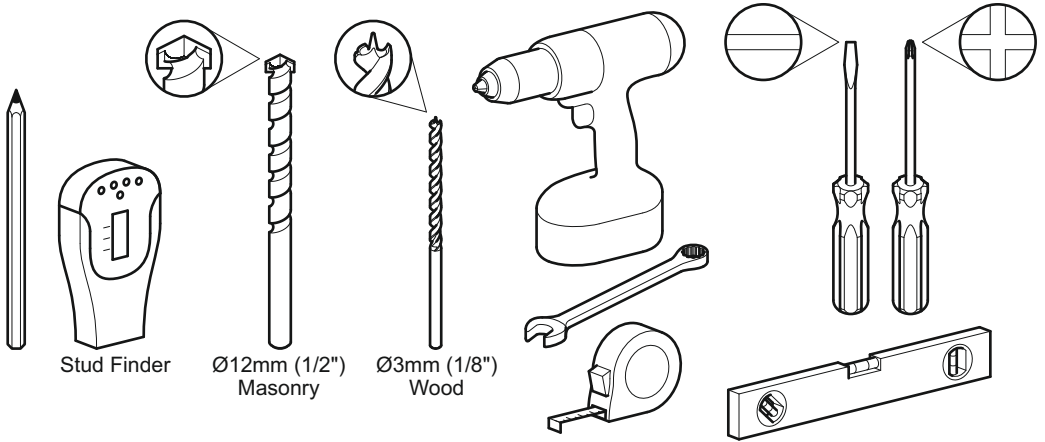
You will not need all these parts, so expect there to be some left over depending upon the specification of your TV.

This product is intended for indoor use only. Use of this product outdoors could lead to failure and personal injury.

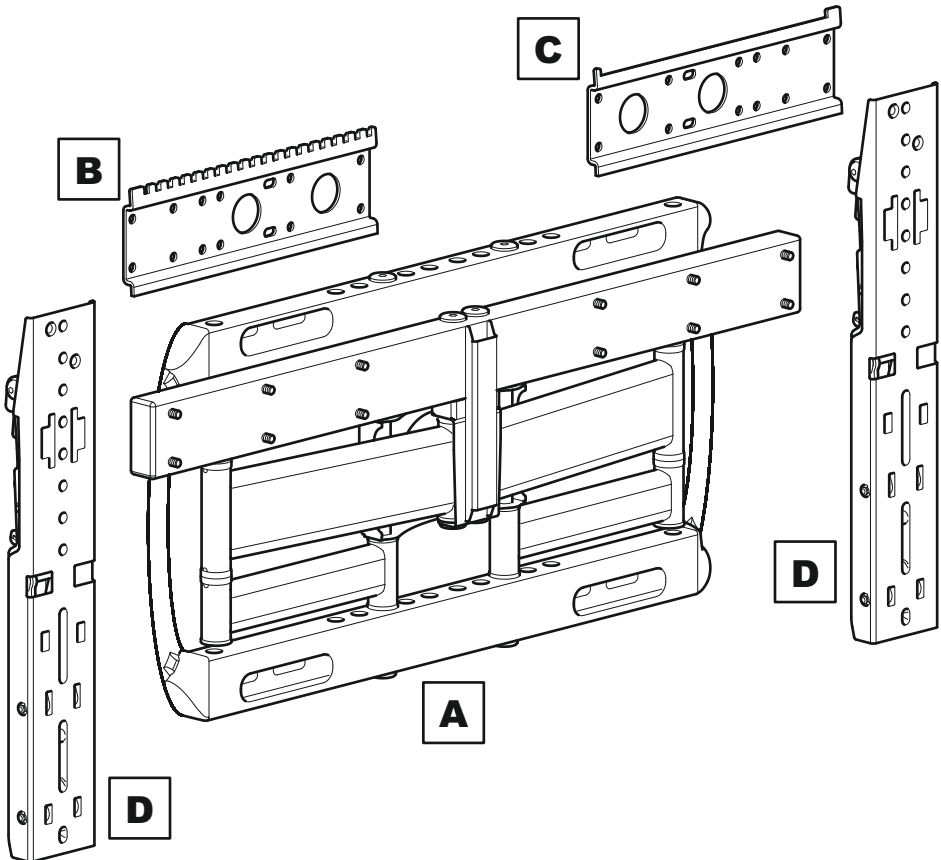
It is the responsibility of the installer to ensure that the mounting wall is of a suitable standard and void of any services (eg gas, electricity, water etc).

AVF accept no responsibility for any damage or loss caused by installing this product in a sub standard wall.

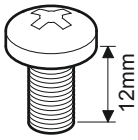
Tools Recommended



Boxed Parts

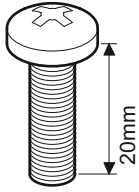


TV Screws and Reducers



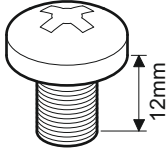
M6

E1 x4



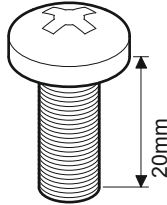
M6

E2 x4



M8

E3 x4



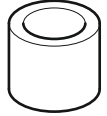
M8

E4 x4



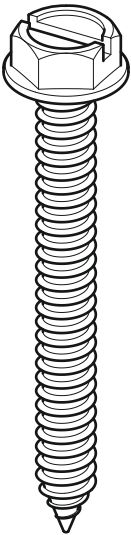
F

x4



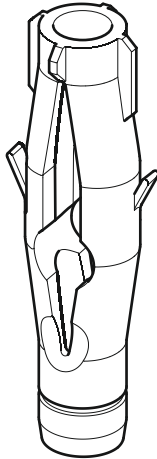
G

x4



H

x6



I

x6



J

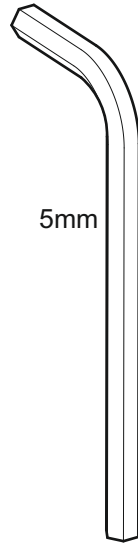
x12



4mm

K

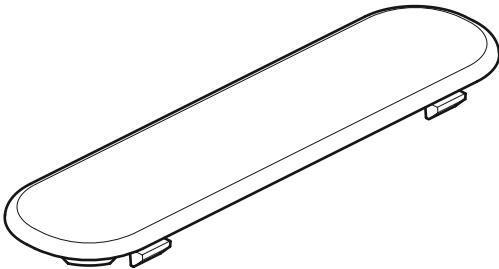
x1



5mm

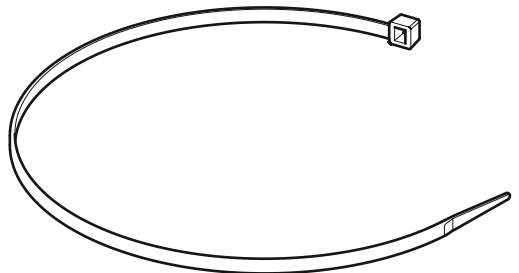
L

x2



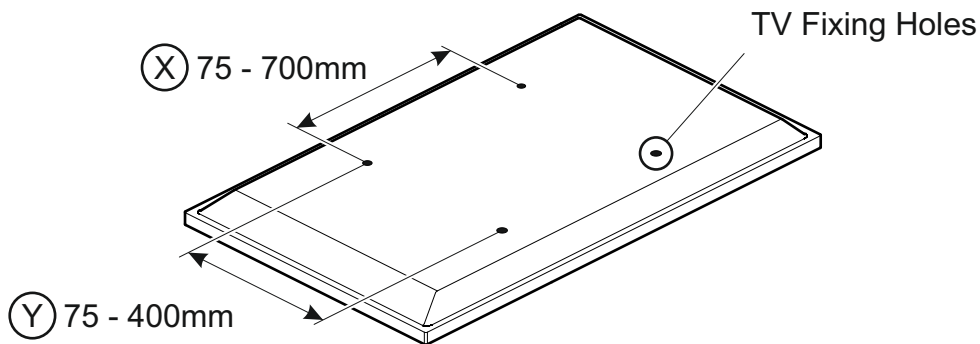
M


x4



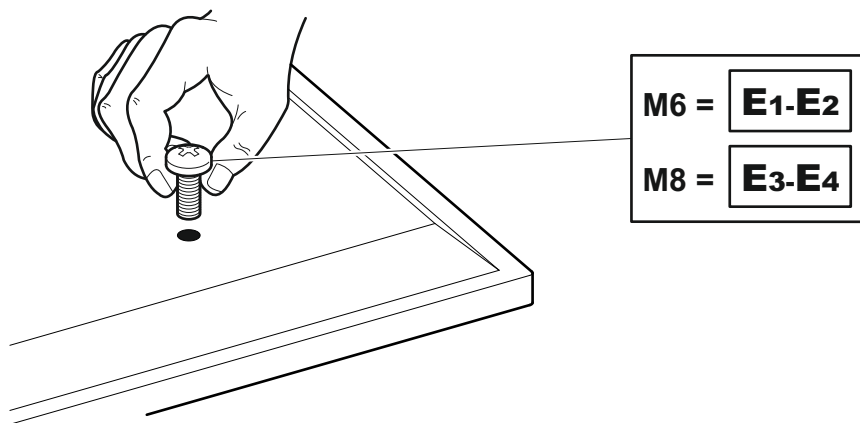
N


x2

1**Measure the TV fixing holes Width and Height**

 If width **X** is greater than 700mm or height **Y** greater than 400mm
STOP installation now and contact the customer help line

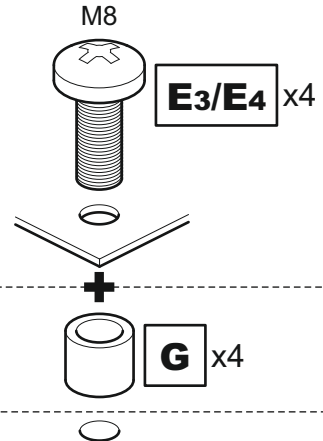
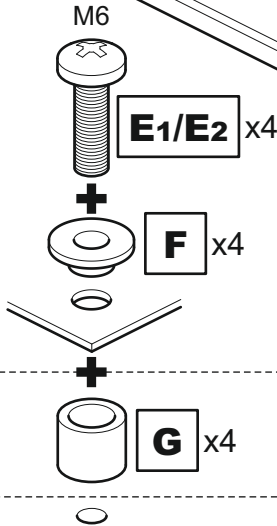
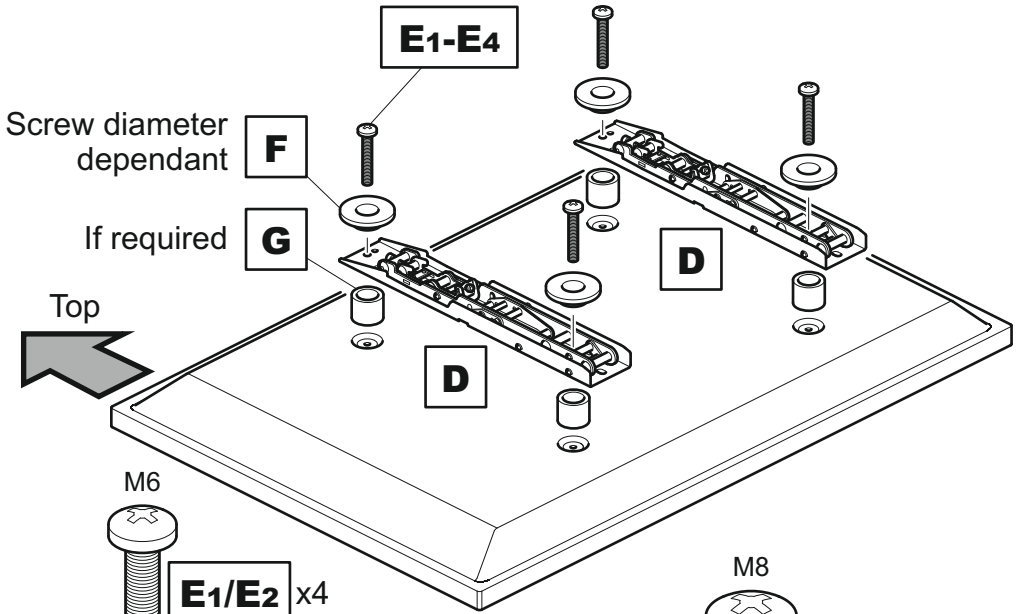
You are provided with 2 diameters of TV fixing screws, **M6** and **M8**.
Determine the screw diameter that fits and remember for step 3.



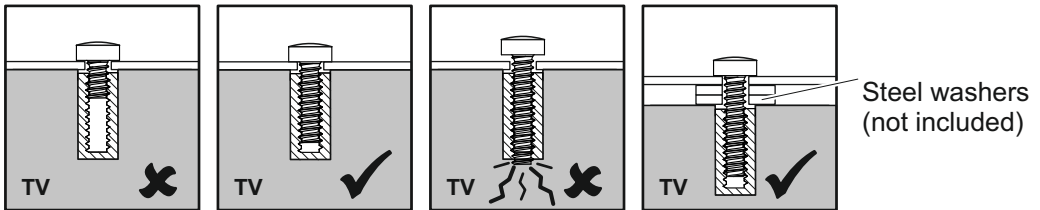
 After completing step 3 you will have fittings left over, please keep
for future reference

2

Fitting the TV Brackets



WARNING

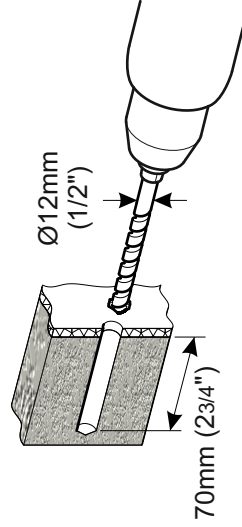
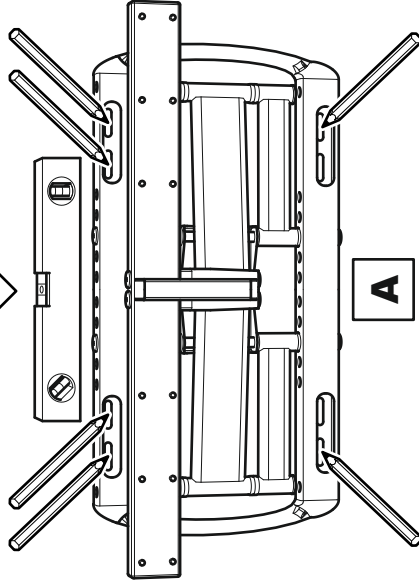


If your TV has an irregular/obstructed back or if you have any issues fitting to the back of your TV with the supplied screws, please call the customer services helpline **01952 670009 / 0870 0609777**.

3

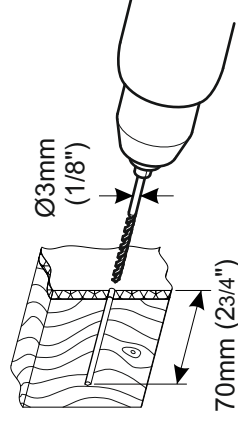
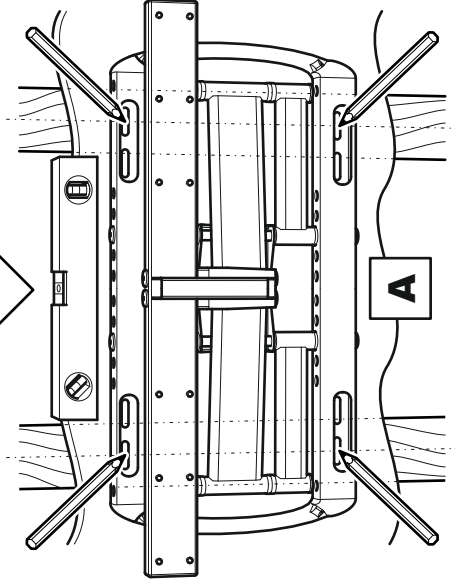
Fitting the Wall Bracket

Solid Wall

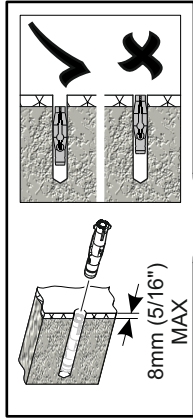
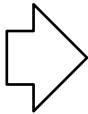


Remove dust from hole

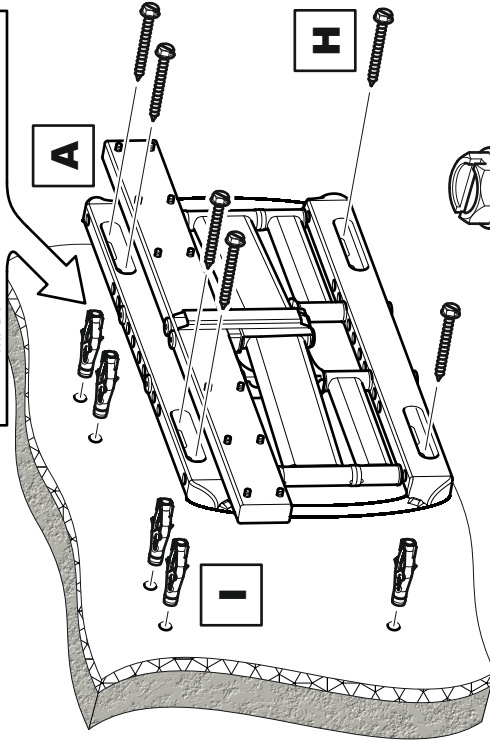
Wood Stud



Ensure bracket is in the centre of the wood stud



8mm (5/16")
MAX



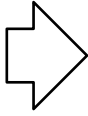
Lubricate screw
thread with soap



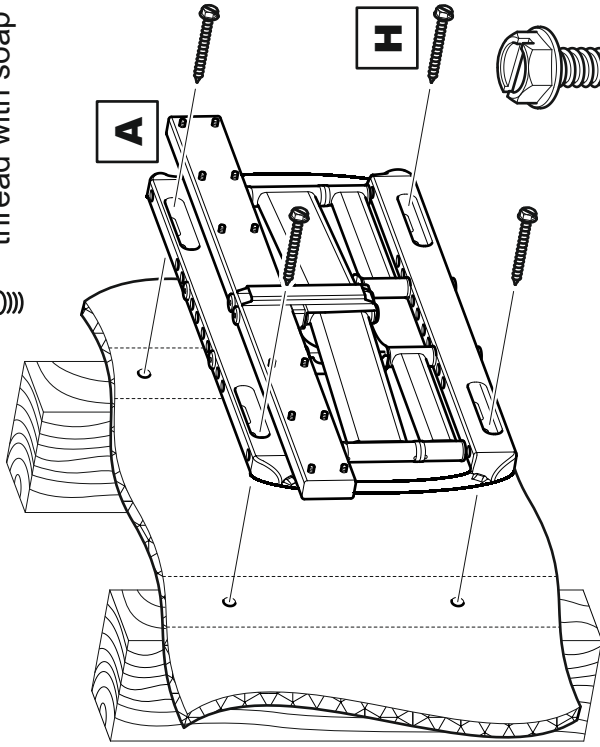
DO NOT over tighten screws
Tighten screws by hand only

H x6

I x6

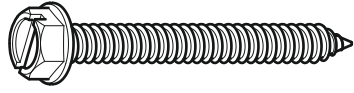


Lubricate screw
thread with soap



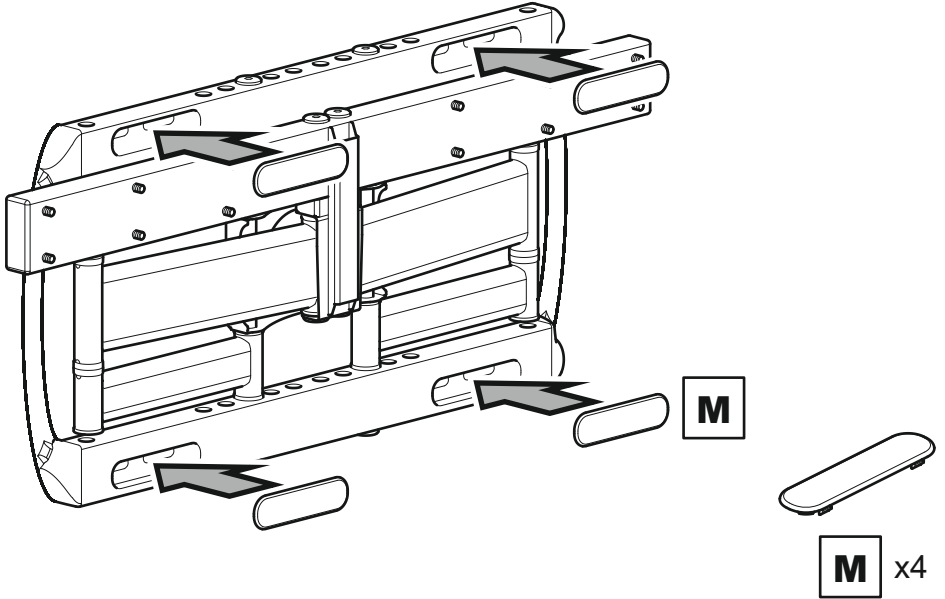
DO NOT over tighten screws
Tighten screws by hand only

H x4

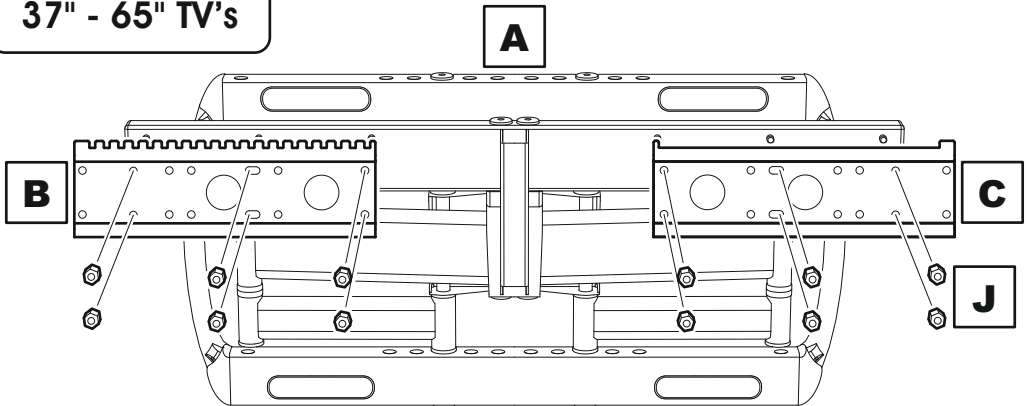


4

Finishing the Wall Bracket



37" - 65" TV's

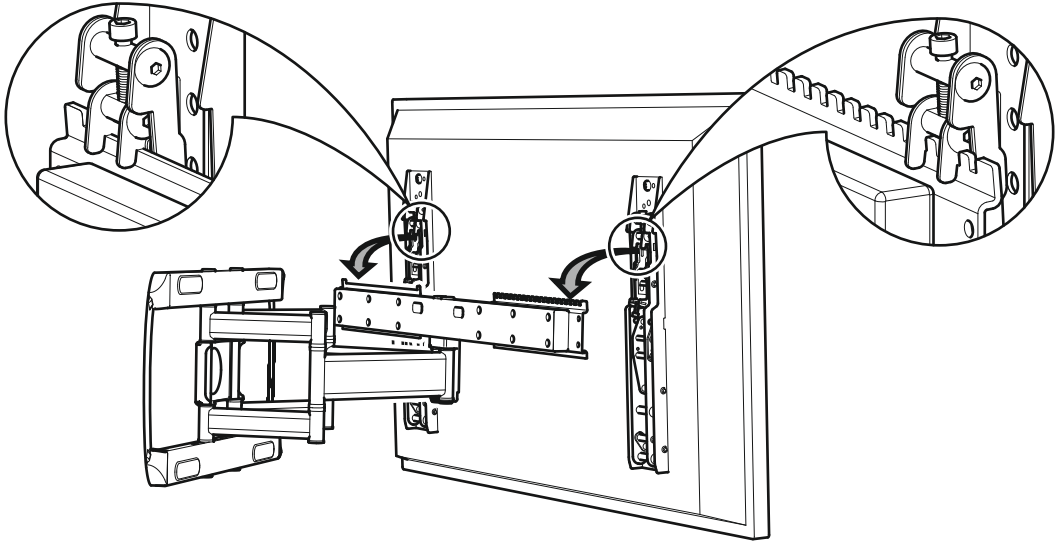


J x12

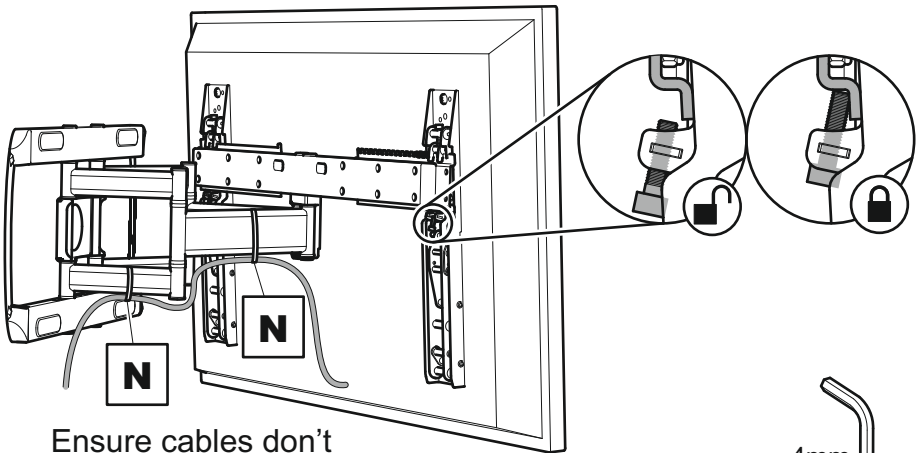
5

Connecting the TV

Attaching



Cable Management & Locking



Ensure cables don't restrict arm movement

4mm



N x2




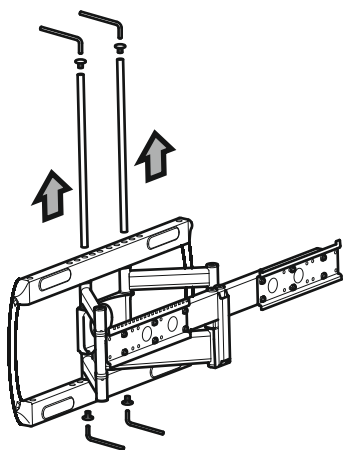
Check all fittings are tight



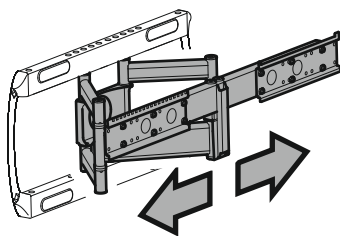
K x1

Optional

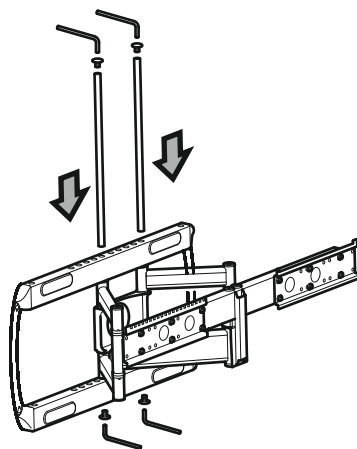
Lateral Shift 



i

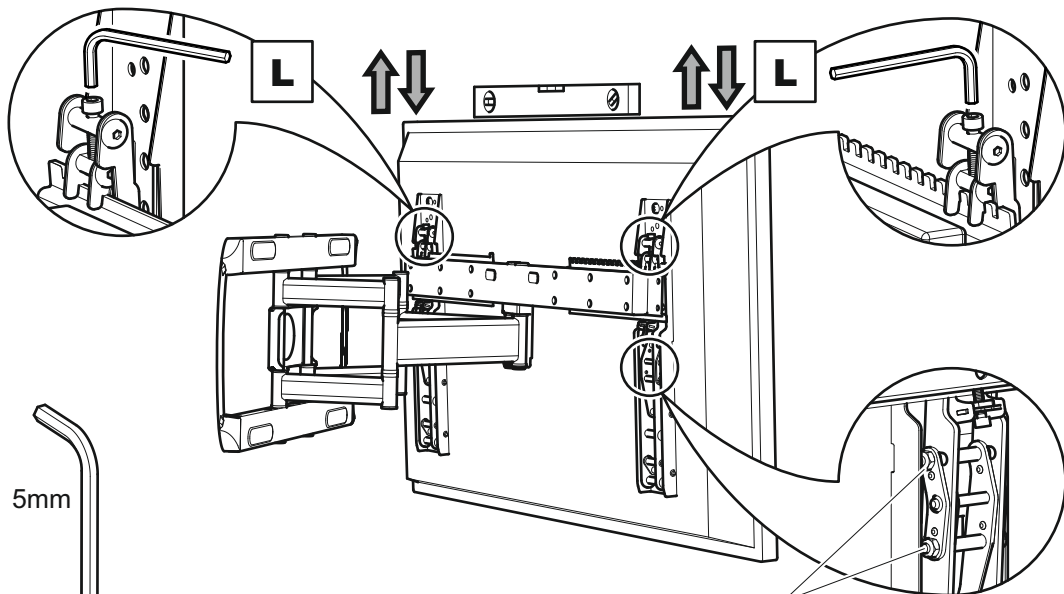


ii



iii

TV Levelling



5mm

Adjust tilt tension if required.
Equally tighten nuts to suit.

L x2