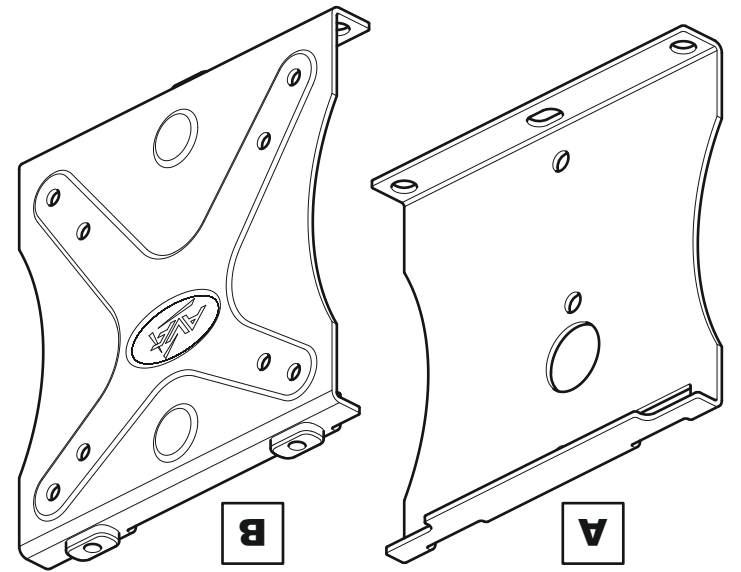
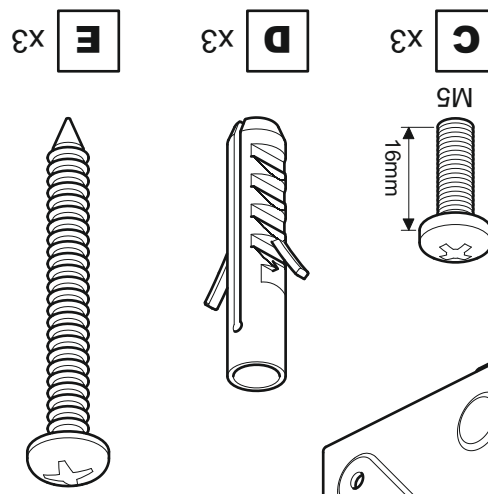
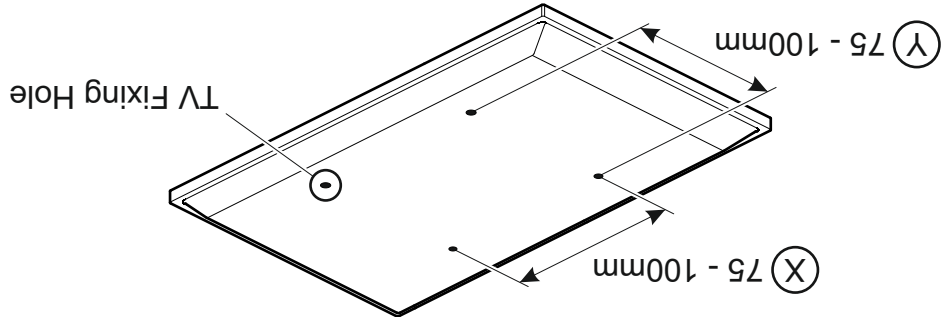
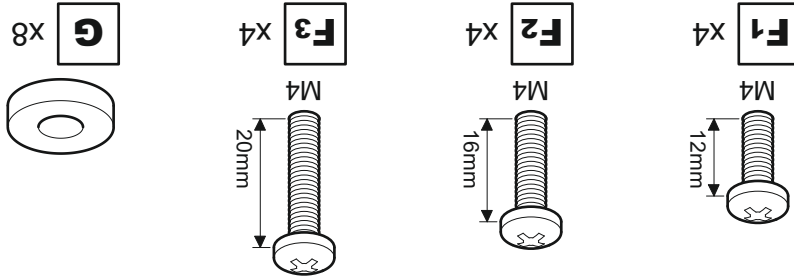


If width (X) is greater than 100mm or height (Y) greater than 100mm STOP installation now and contact the customer help line.

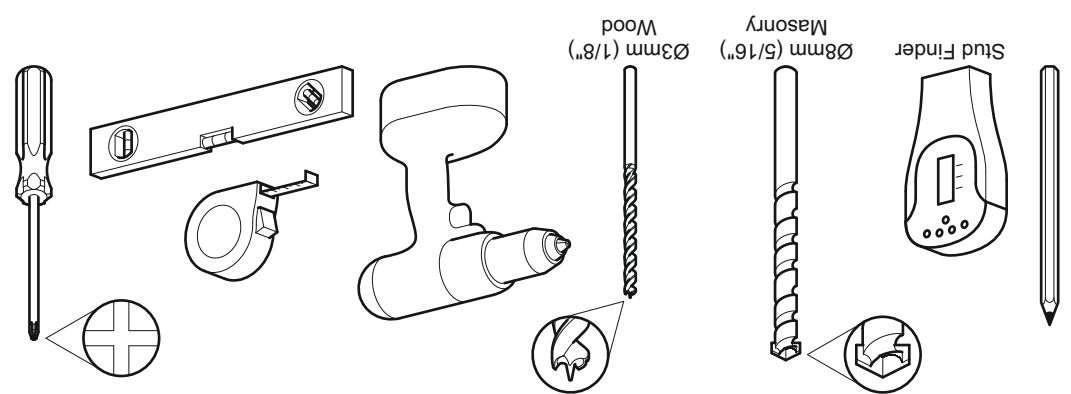


Boxed Parts

1 Measure the TV Fixing Holes



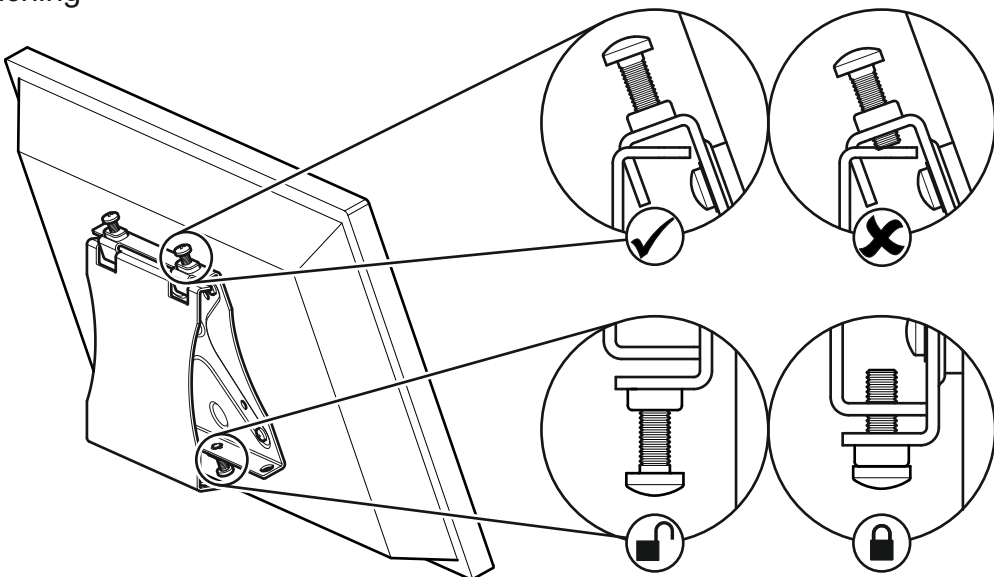
TV Screws and Spacers



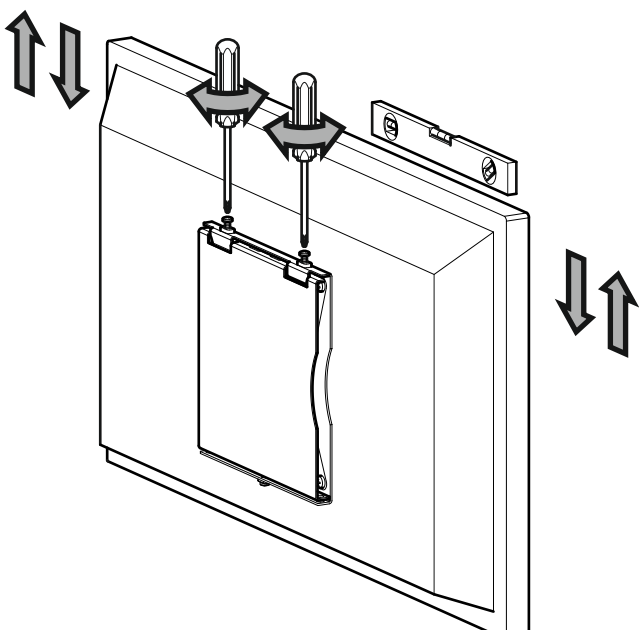
Tools Recommended

4 Attach the TV

Attaching



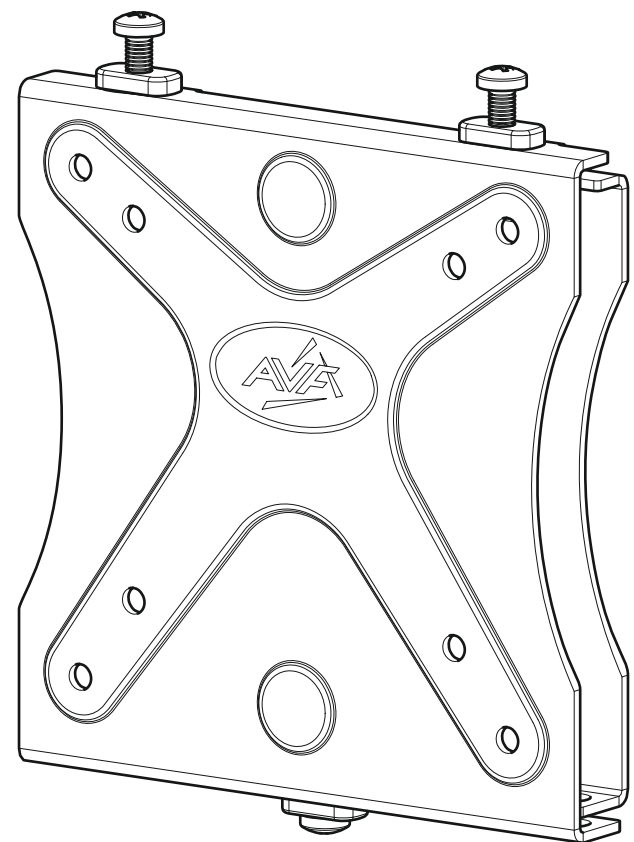
TV Levelling



Check all fittings are tight

# JZL100

Leaflet No. 463440 rev01



Read through **ALL** instructions before commencing installation. If you have any questions about this product or issues with installation contact the customer services helpline before returning this product to the store. See [jl.avfgroup.com/p/jzl100](http://jl.avfgroup.com/p/jzl100) for more information.

CUSTOMER SERVICES HELP LINE NUMBER:  
**01952 670009**

**33lbs**  
**15kg**

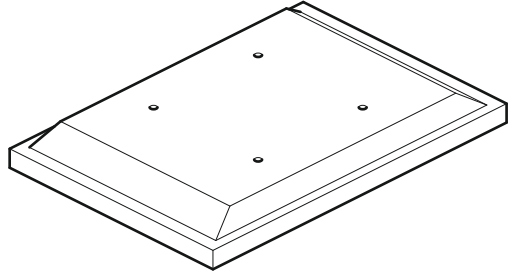
**25"**  
63cm

AVF Group Ltd. Hortonwood 30, Telford, Shropshire, TF1 7YE, England

## 2 Fitting the TV Bracket

### No Spacers

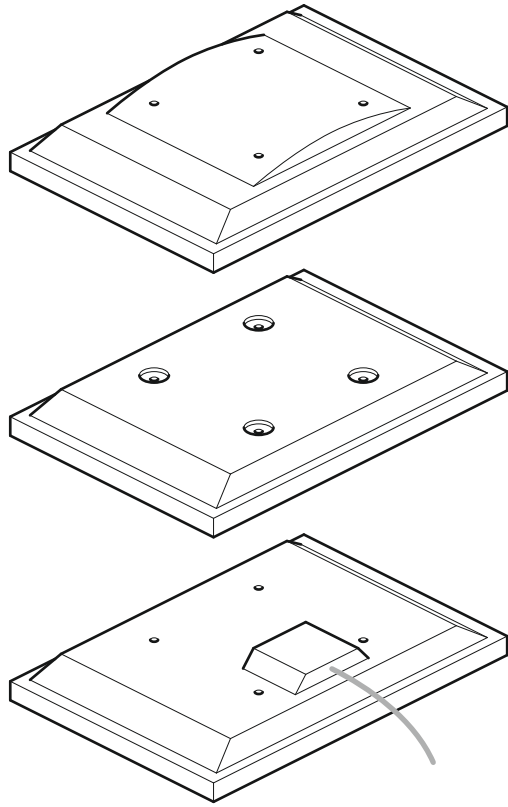
For TVs with flat/unobstructed back



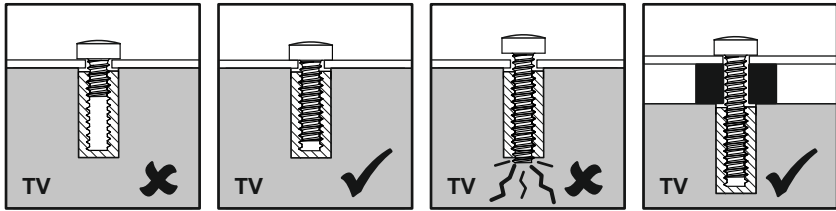
### Spacers

**G**

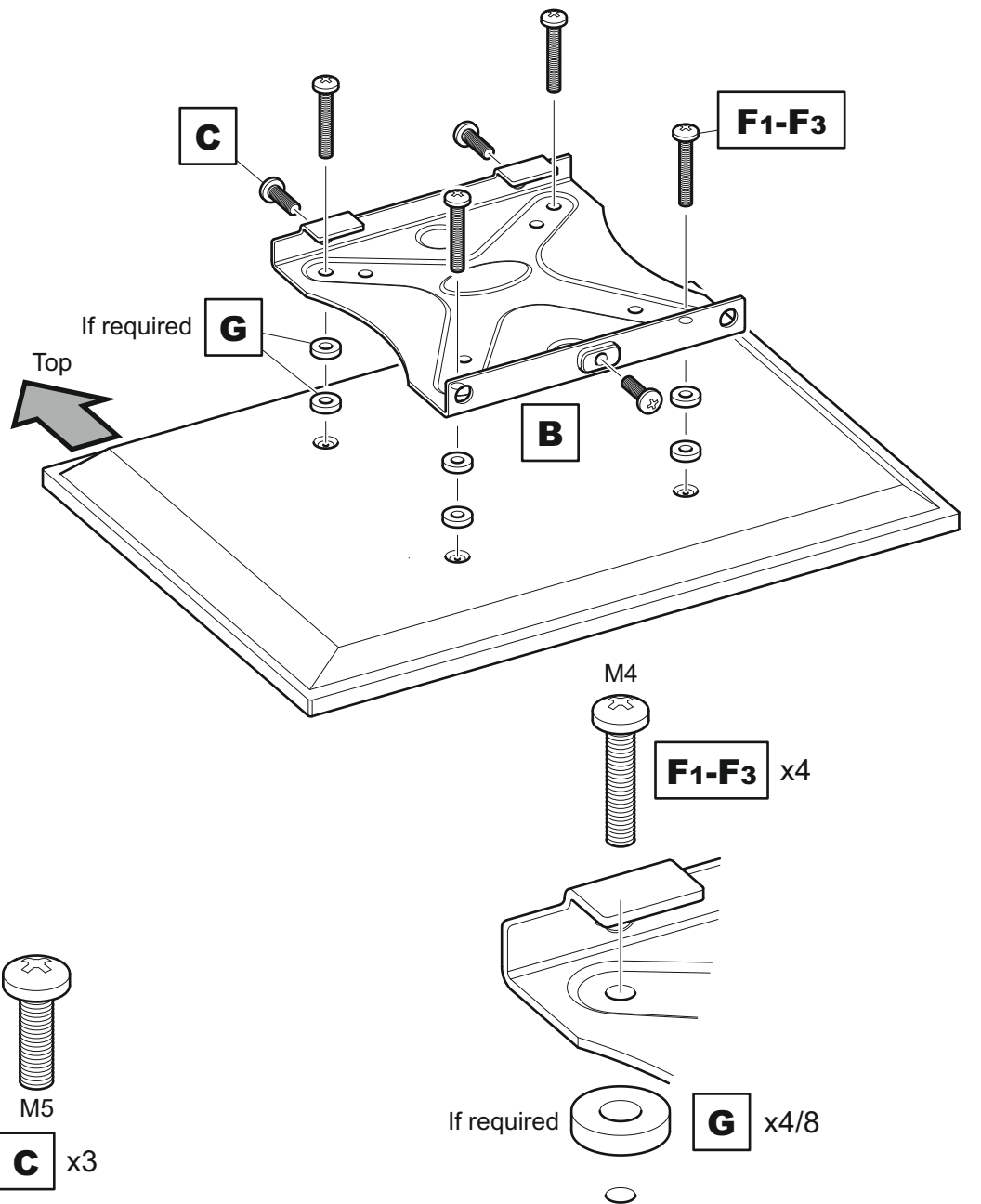
For TVs with irregular/obstructed back



### WARNING



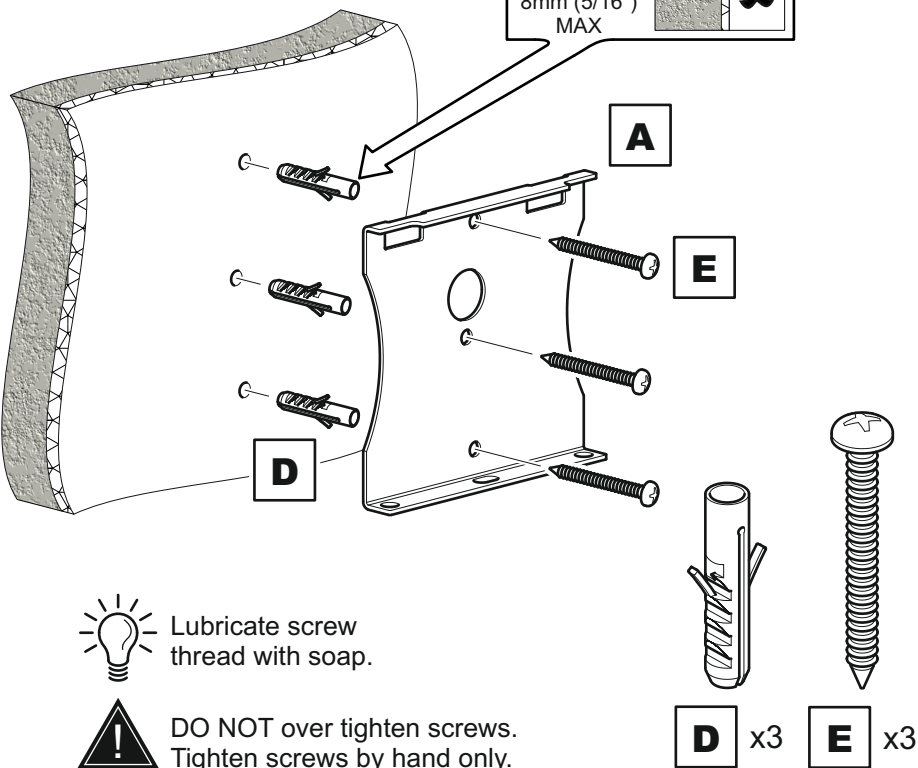
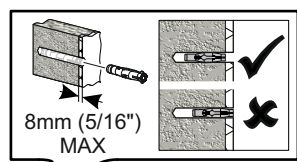
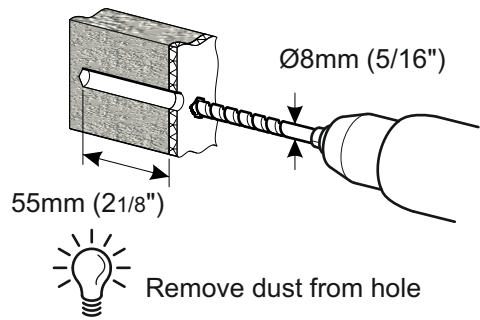
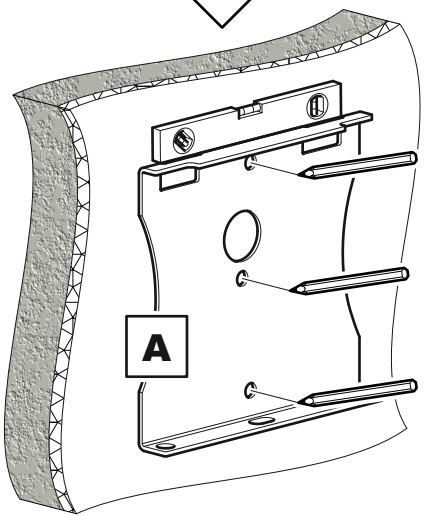
After completing step 2 you will have fittings left over, please keep for future reference.



Attach the bracket to the back of your TV using suitable screw and spacer combinations.

## 3 Fitting the Wall Bracket

### Solid Wall

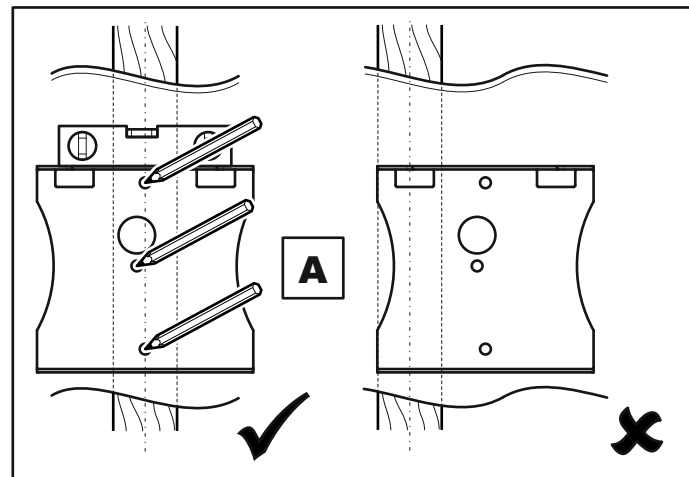


Lubricate screw thread with soap.

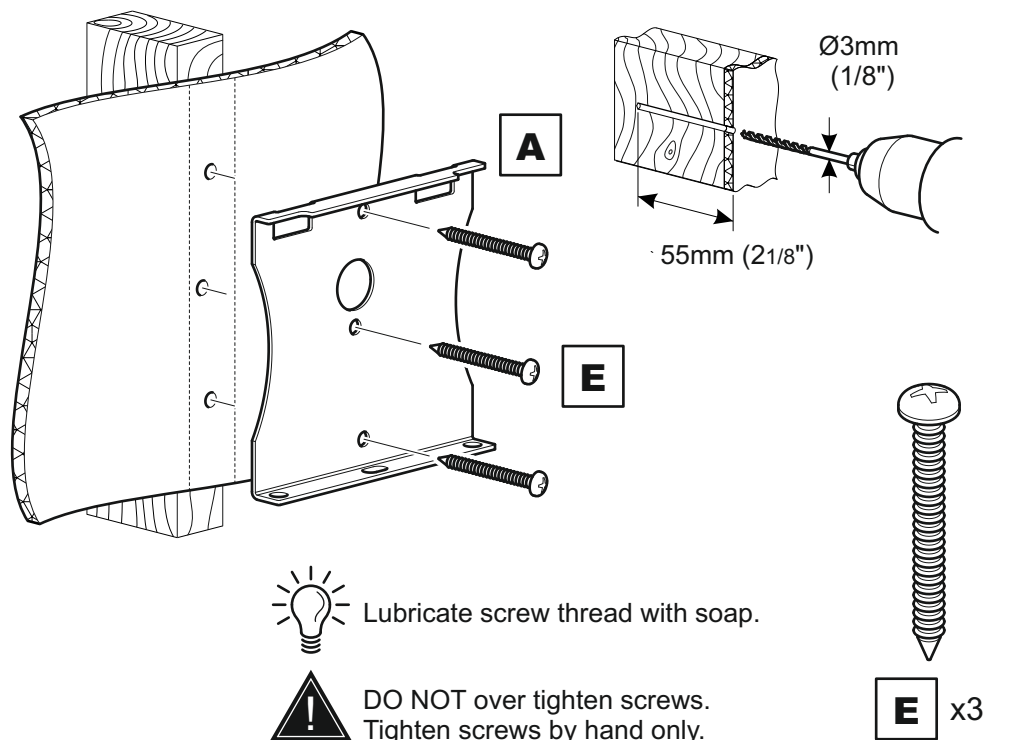
DO NOT over tighten screws. Tighten screws by hand only.

**D** x3 **E** x3

### Wood Stud



Ensure bracket is in the centre of the wood stud.



Lubricate screw thread with soap.

DO NOT over tighten screws. Tighten screws by hand only.

**E** x3