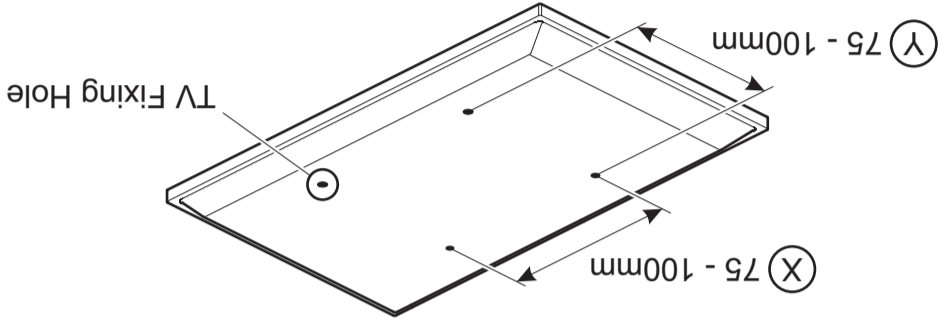
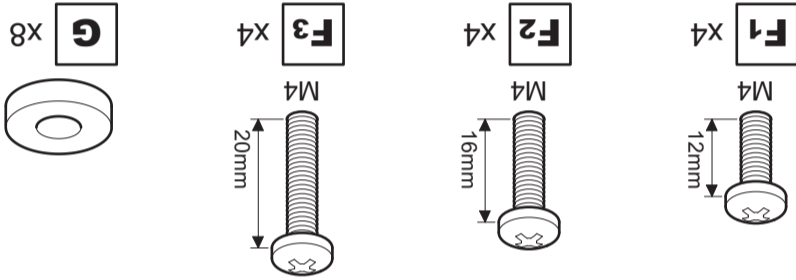


! If width (X) is greater than 100mm or height (Y) greater than 100mm STOP installation now and contact the customer help line.



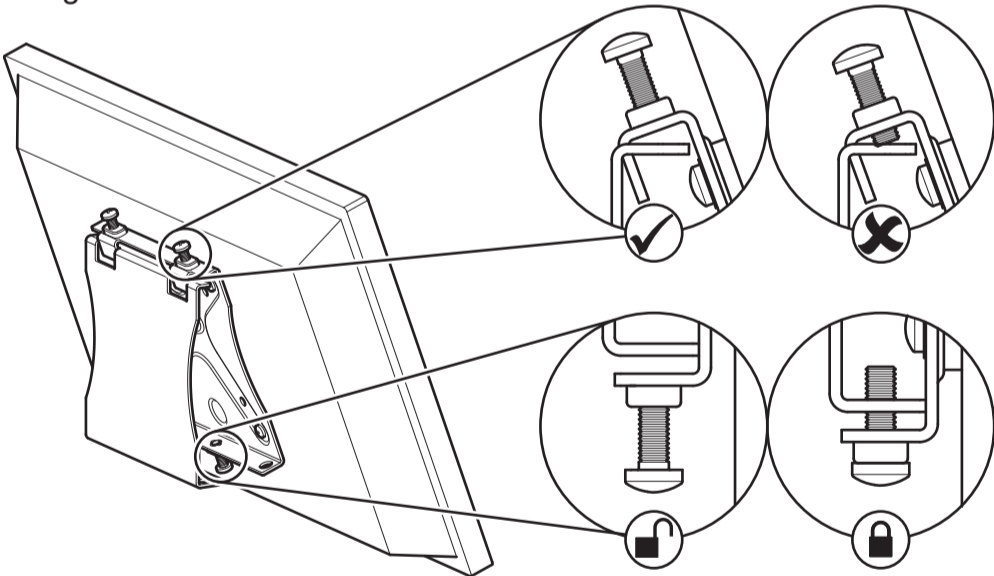
1 Measure the TV Fixing Holes



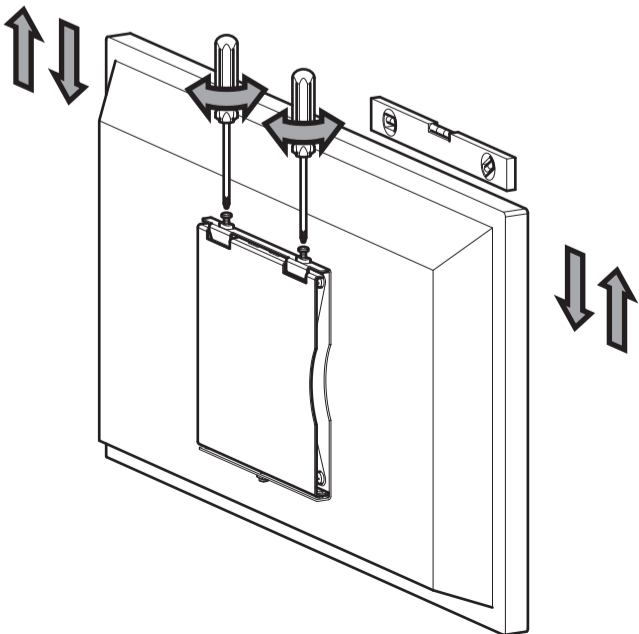
TV Screws and Spacers

4 Attach the TV

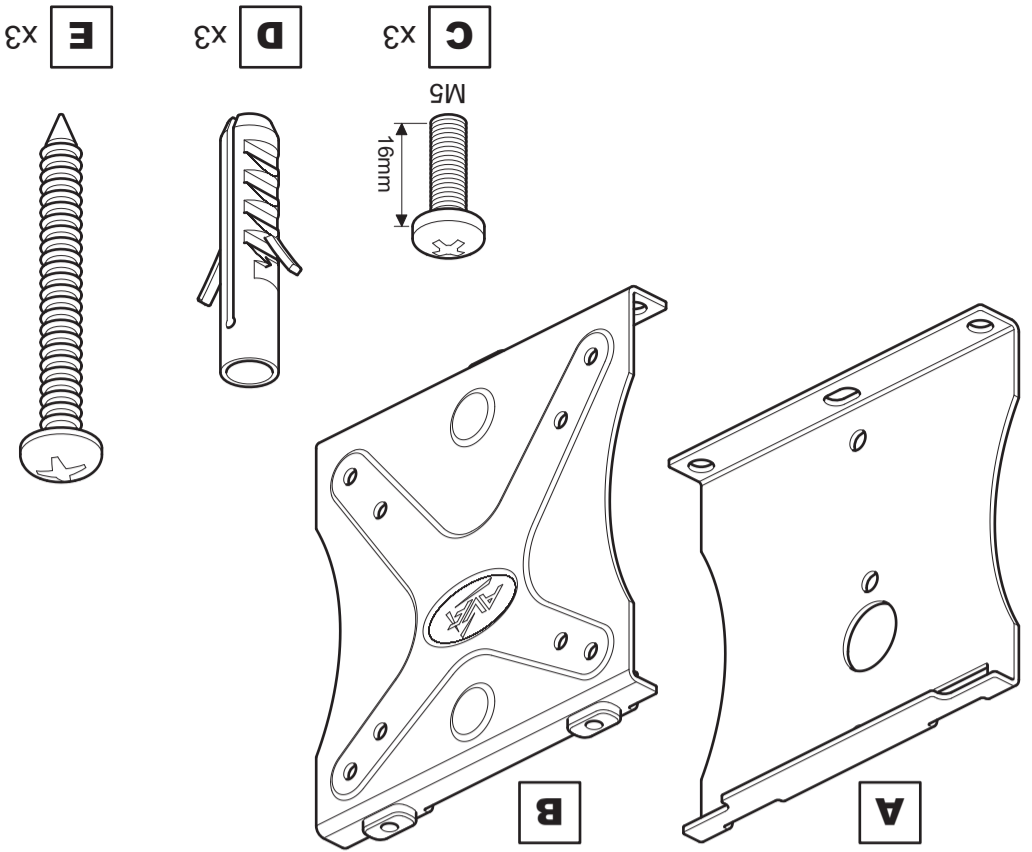
Attaching



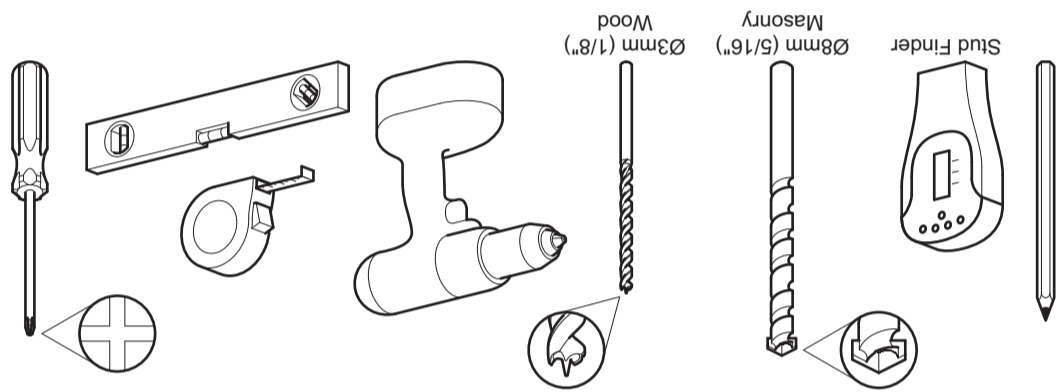
TV Levelling



! Check all fittings are tight



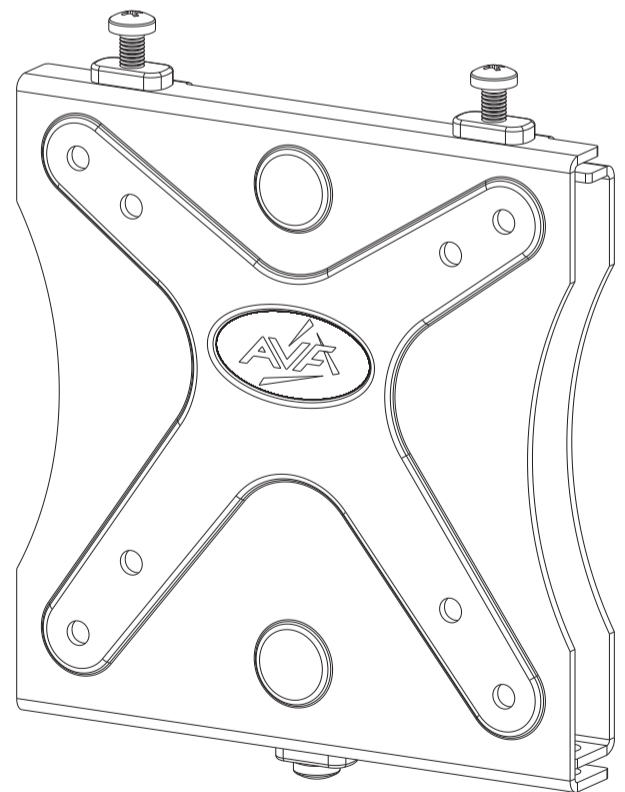
Boxed Parts



Tools Recommended

# JZL100

Leaflet No. 463440 rev.00



Read through **ALL** instructions before commencing installation. If you have any questions about this product or issues with installation contact the customer services helpline before returning this product to the store. See [j.l.avfgroup.com/p/jzl100](http://j.l.avfgroup.com/p/jzl100) for more information.

CUSTOMER SERVICES HELP LINE NUMBER:

**01952 670009**  
**0870 0609777**

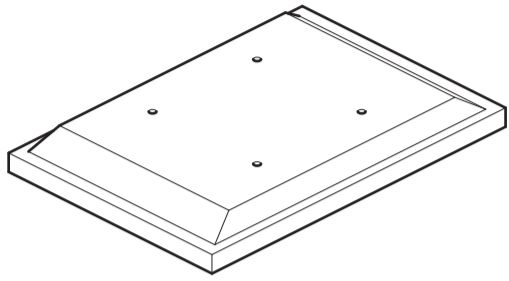


AVF Group Ltd. Road 30. Hortonwood Ind Est, Telford, Shropshire, TF1 7YE, England

## 2 Fitting the TV Bracket

### No Spacers

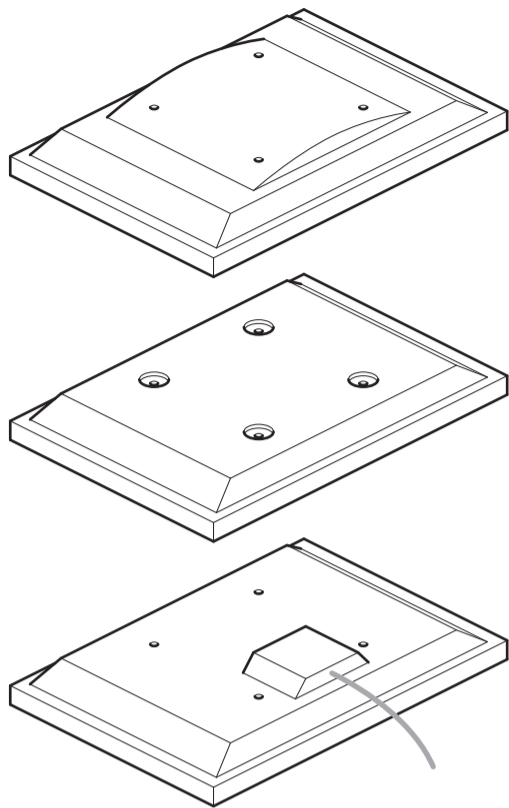
For TVs with flat/unobstructed back



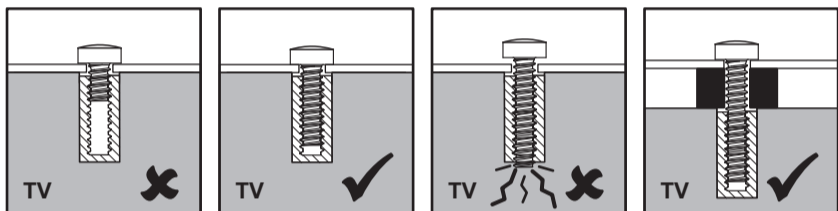
### Spacers

**G**

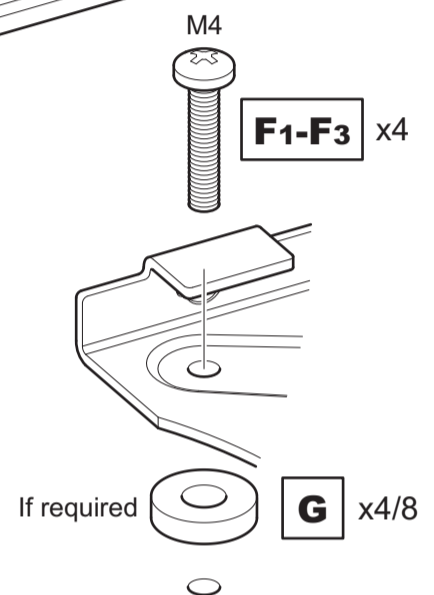
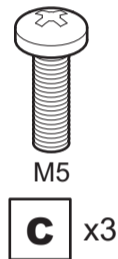
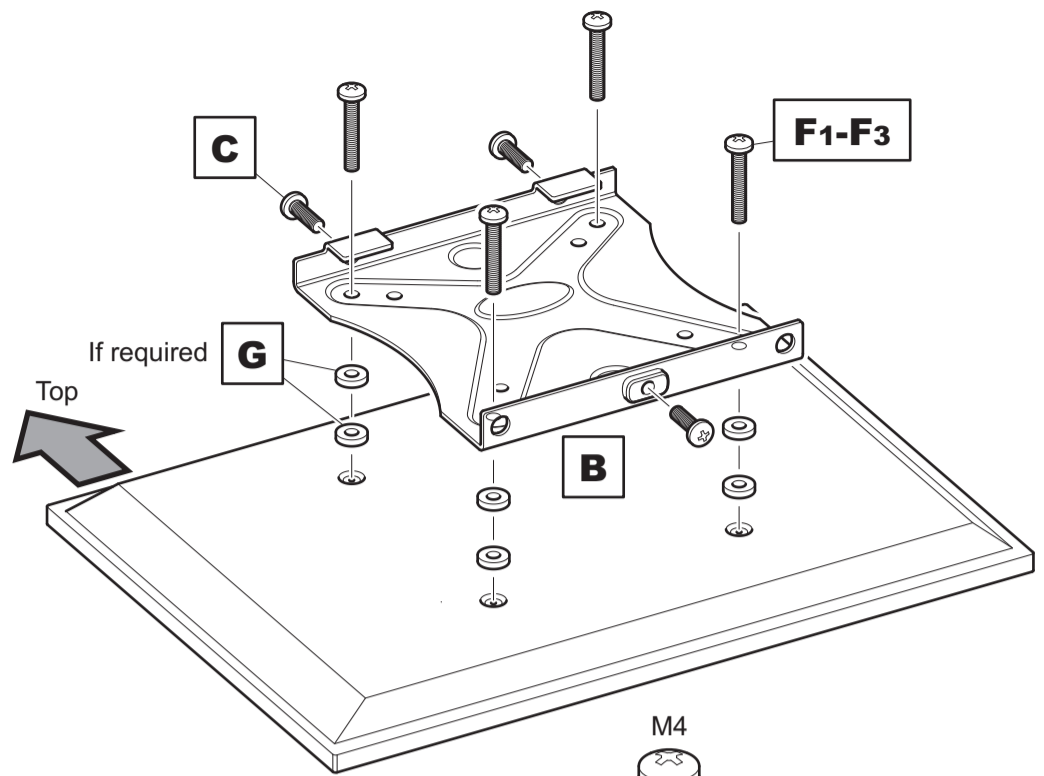
For TVs with irregular/obstructed back



### WARNING



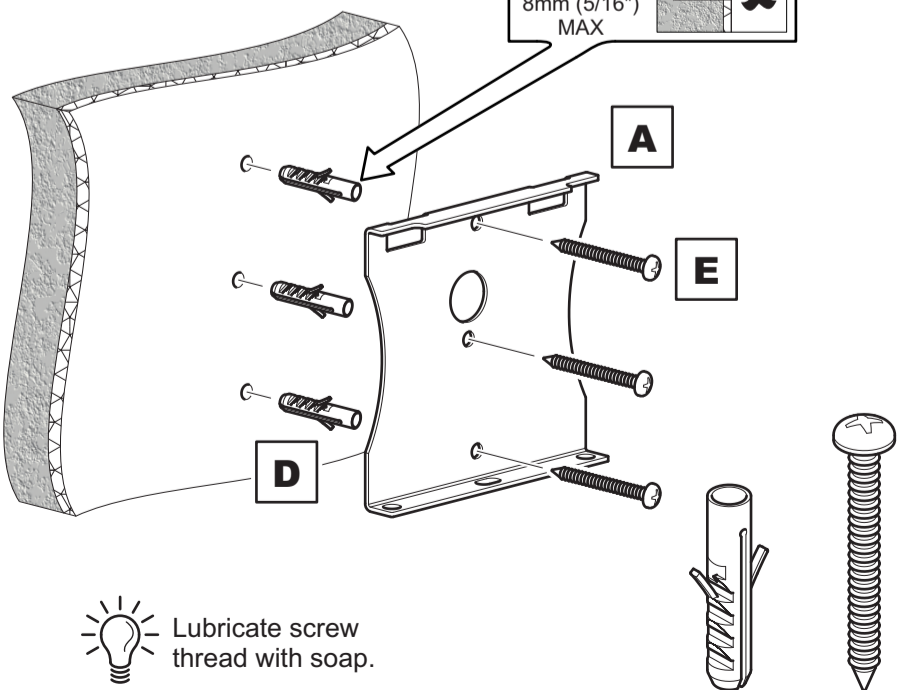
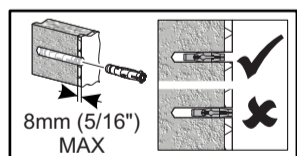
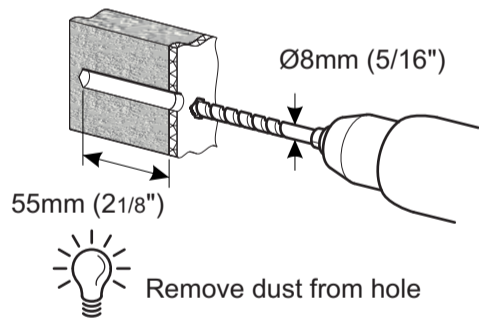
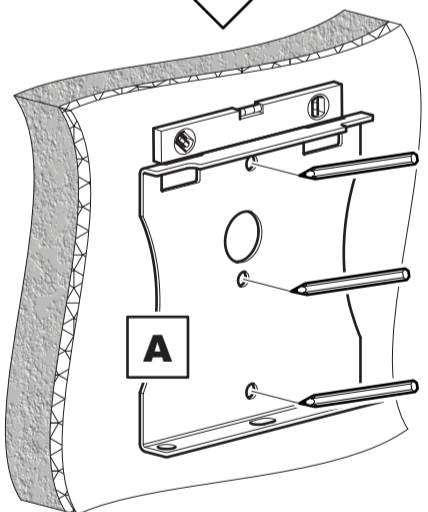
After completing step 2 you will have fittings left over, please keep for future reference.



Attach the bracket to the back of your TV using suitable screw and spacer combinations.

## 3 Fitting the Wall Bracket

### Solid Wall

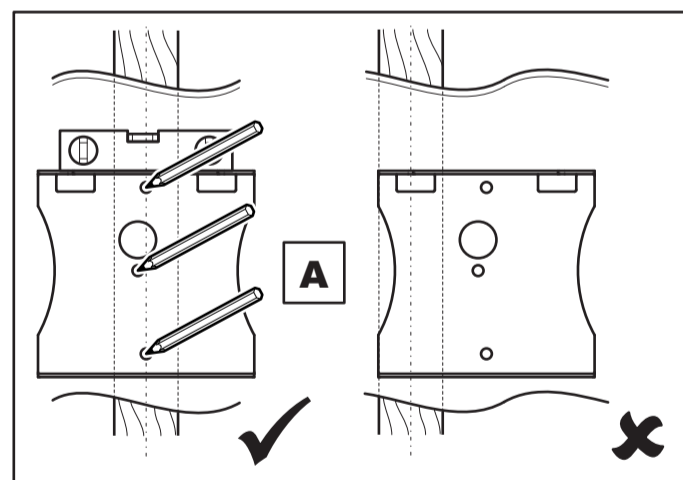


Lubricate screw thread with soap.

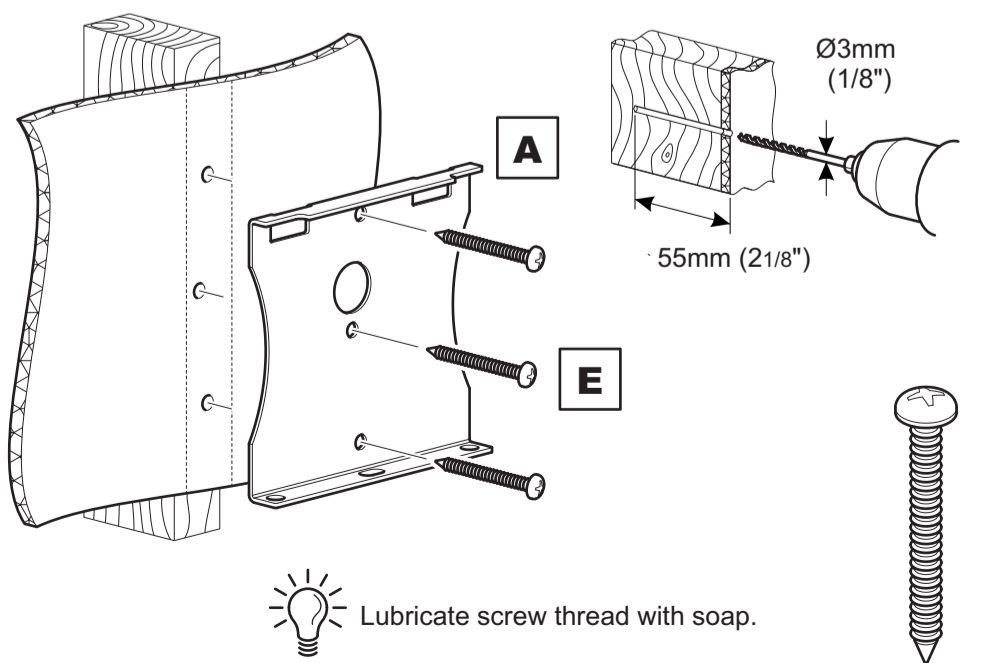
DO NOT over tighten screws. Tighten screws by hand only.

**D** x3 **E** x3

### Wood Stud



Ensure bracket is in the centre of the wood stud.



Lubricate screw thread with soap.

DO NOT over tighten screws. Tighten screws by hand only.

**E** x3