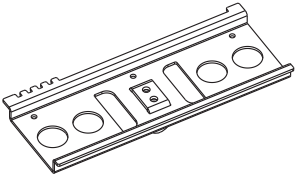
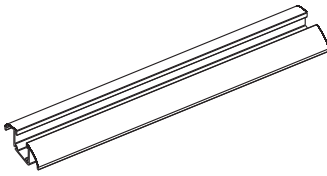
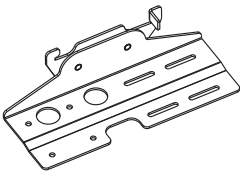
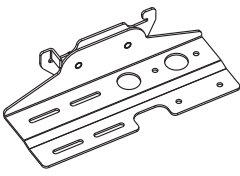
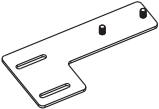
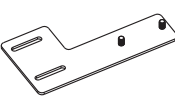
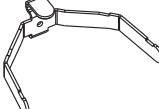
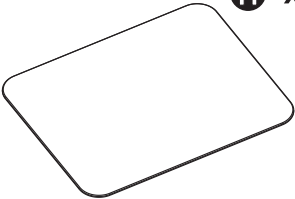
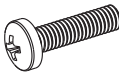
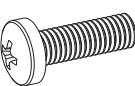
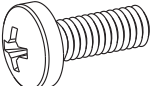
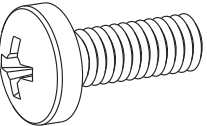

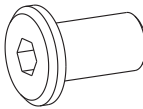
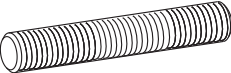
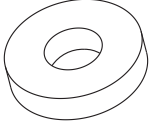


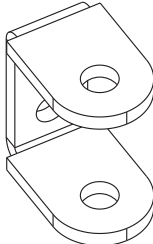
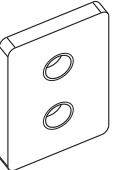

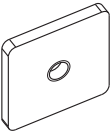


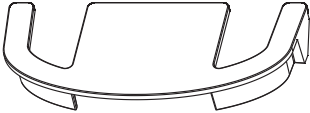

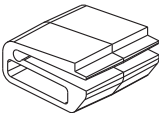
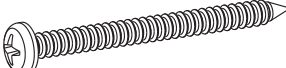

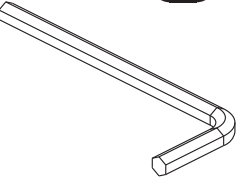
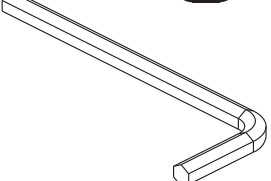
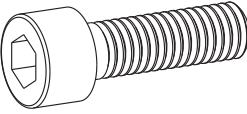
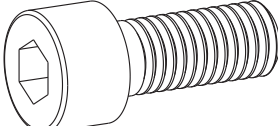
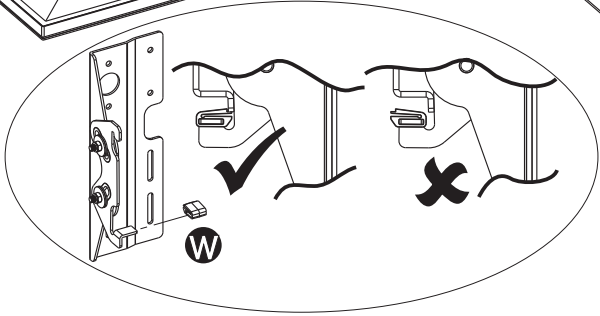
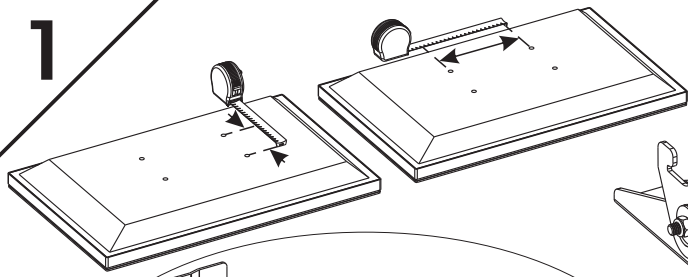
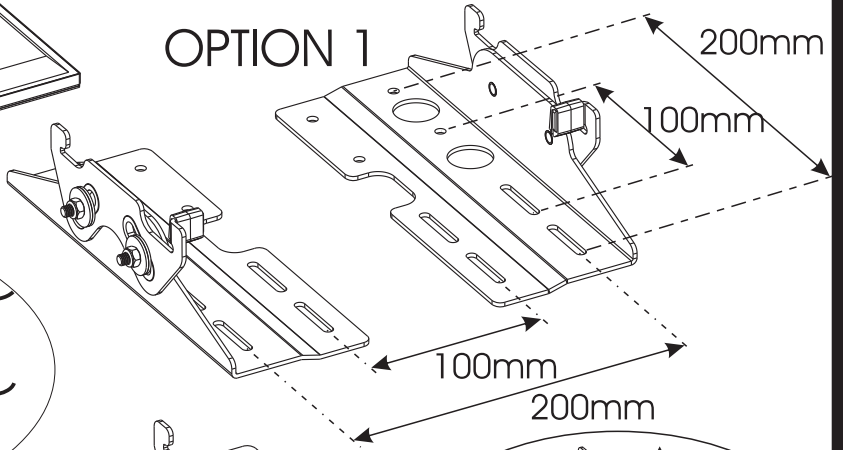


<p><b>A</b> - x1</p> 	<p><b>B</b> - x2</p> 	<p><b>C</b> - x1</p> 	<p><b>D</b> - x1</p> 
<p><b>E</b> - x2</p> 	<p><b>F</b> - x2</p> 	<p><b>G</b> - x2</p> 	<p><b>H</b> - x2</p> 
<p>M4x16</p> <p><b>I<sub>1</sub></b> - x4</p> 	<p>M5x16</p> <p><b>I<sub>2</sub></b> - x4</p> 	<p>M6x16</p> <p><b>I<sub>3</sub></b> - x4</p> 	<p>M8x16</p> <p><b>I<sub>4</sub></b> - x4</p> 
<p><b>J</b> - x2</p> 	<p><b>K</b> - x2</p> 	<p><b>L</b> - x1</p> 	<p><b>M</b> - x4</p> 
<p><b>N1</b> - x4</p> 	<p><b>O</b> - x8</p> 	<p><b>P</b> - x1</p> 	<p><b>Q</b> - x1</p> 
<p><b>N2</b> - x8</p> 			
<p><b>R</b> - x2</p> 	<p><b>S</b> - x1</p> 	<p><b>T</b> - x2</p> 	<p><b>U</b> - x2</p> 
<p><b>V</b> - x8</p> 	<p><b>W</b> - x2</p> 	<p><b>X</b> - x5</p> 	<p><b>Y</b> - x5</p> 
<p>5mm</p> <p><b>Z<sub>1</sub></b> - x2</p> 	<p>6mm</p> <p><b>Z<sub>2</sub></b> - x1</p> 	<p>M6x20</p> <p><b>Z<sub>3</sub></b> - x2</p> 	<p>M8x20</p> <p><b>Z<sub>4</sub></b> - x2</p> 

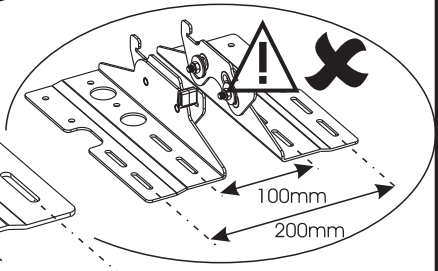
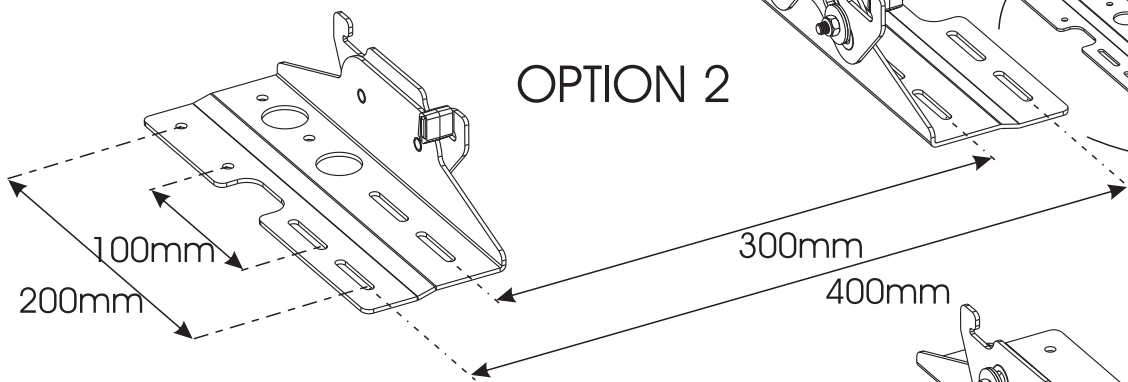
1



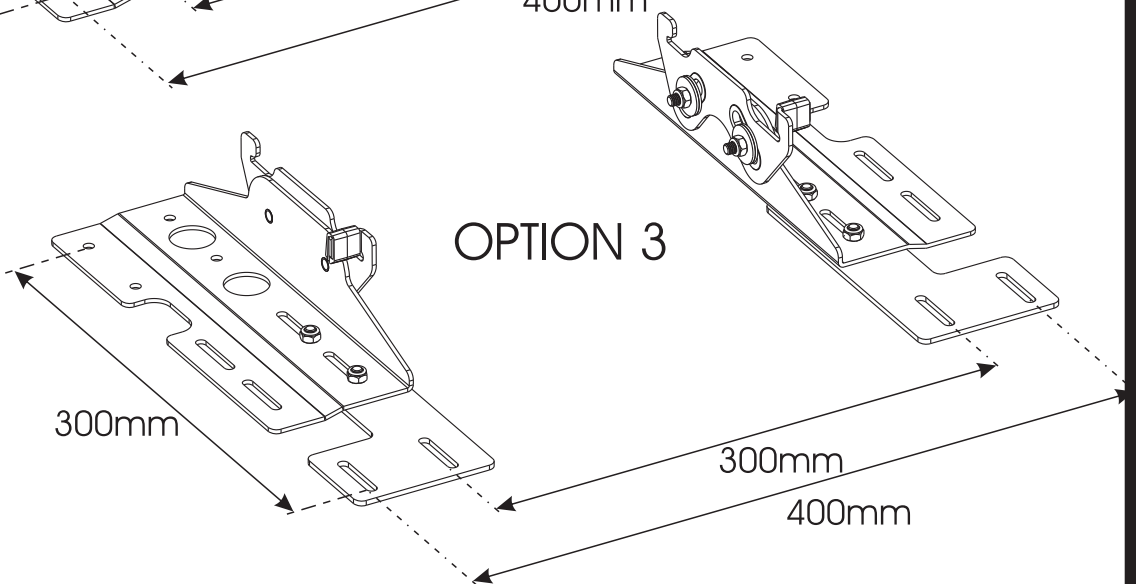
OPTION 1



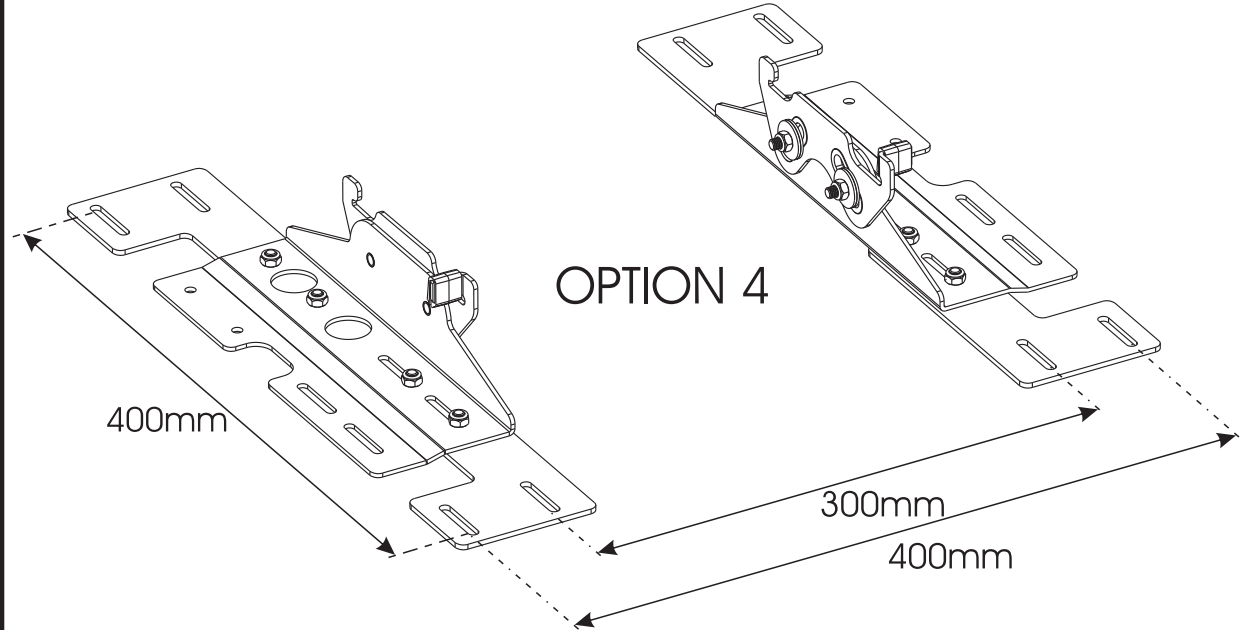
OPTION 2



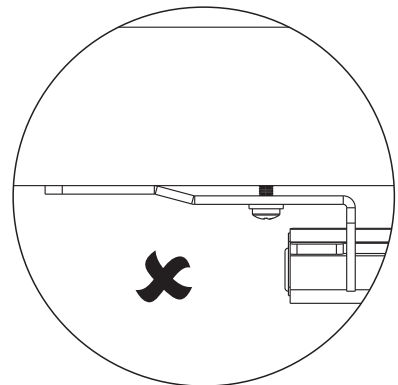
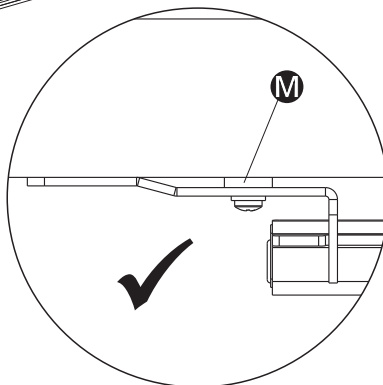
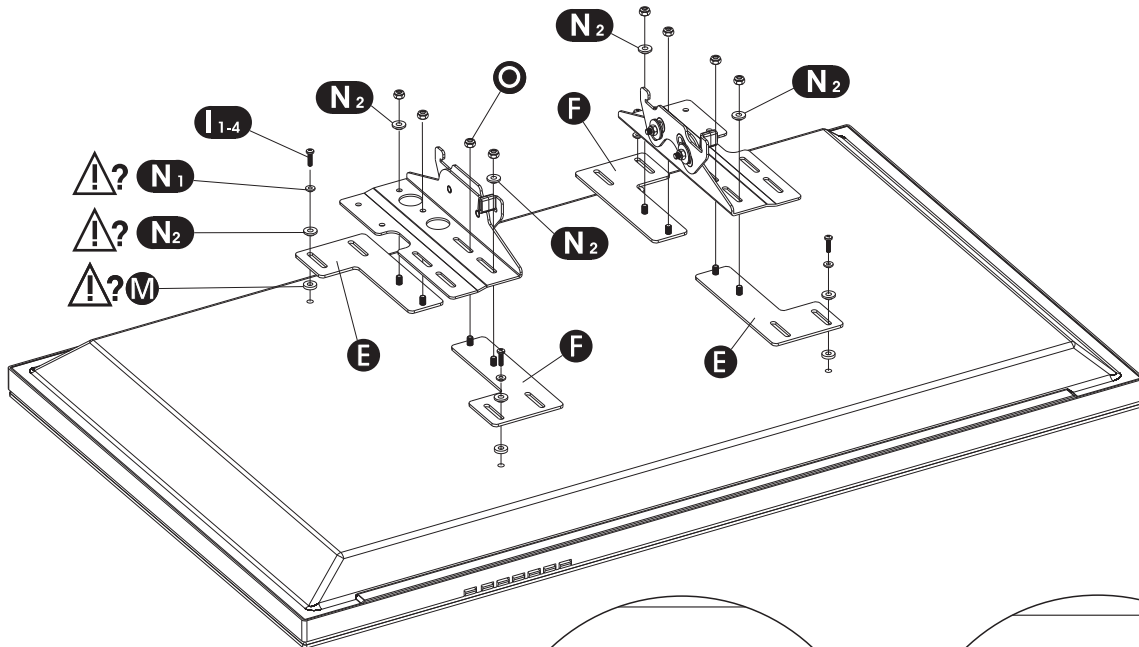
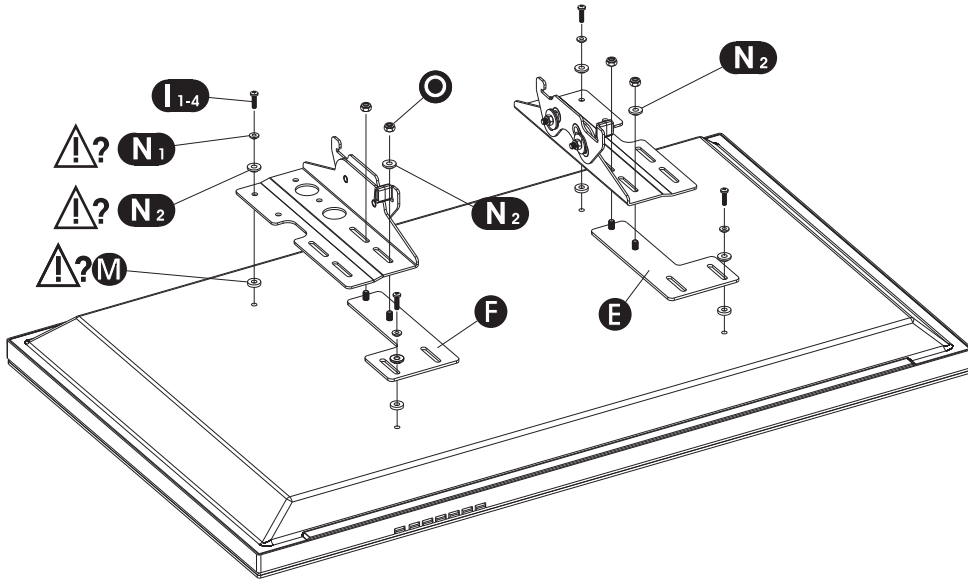
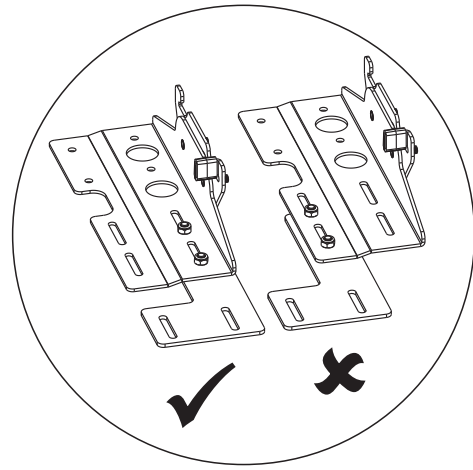
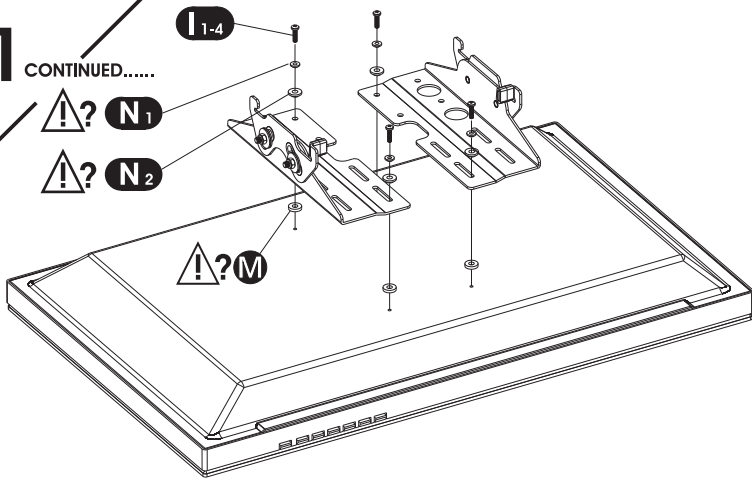
OPTION 3



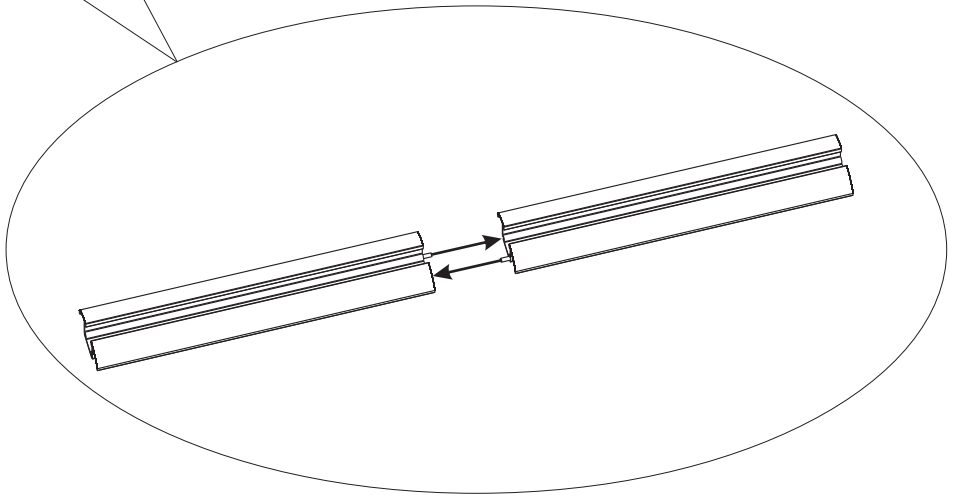
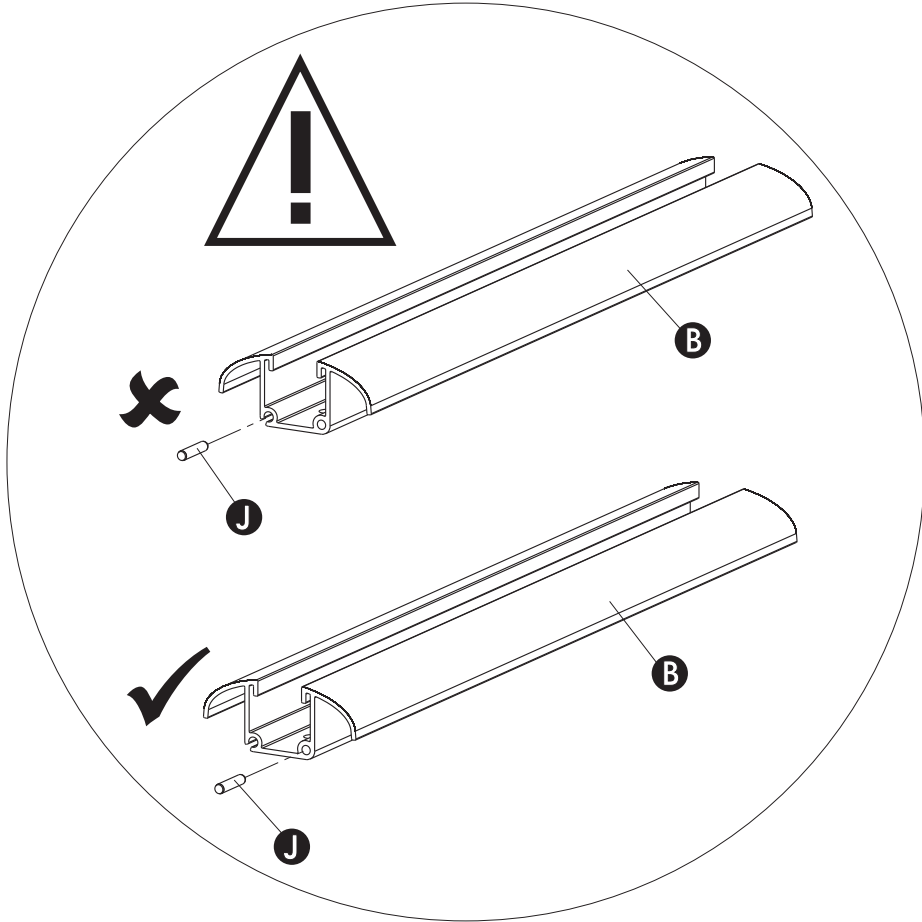
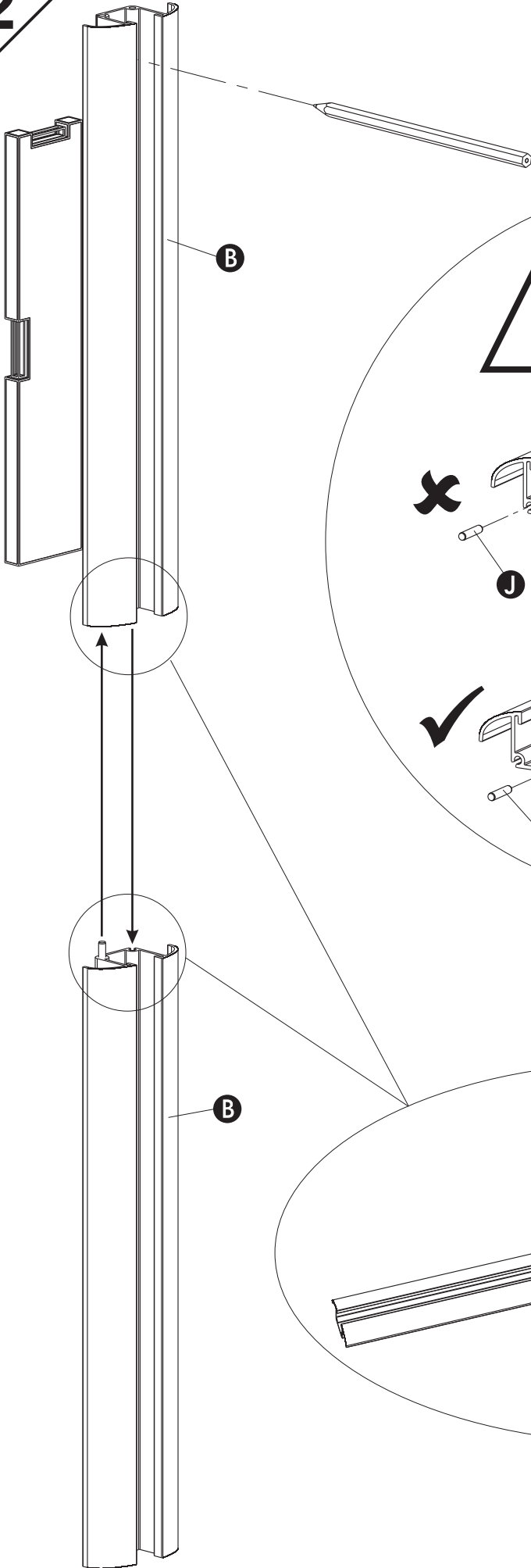
OPTION 4

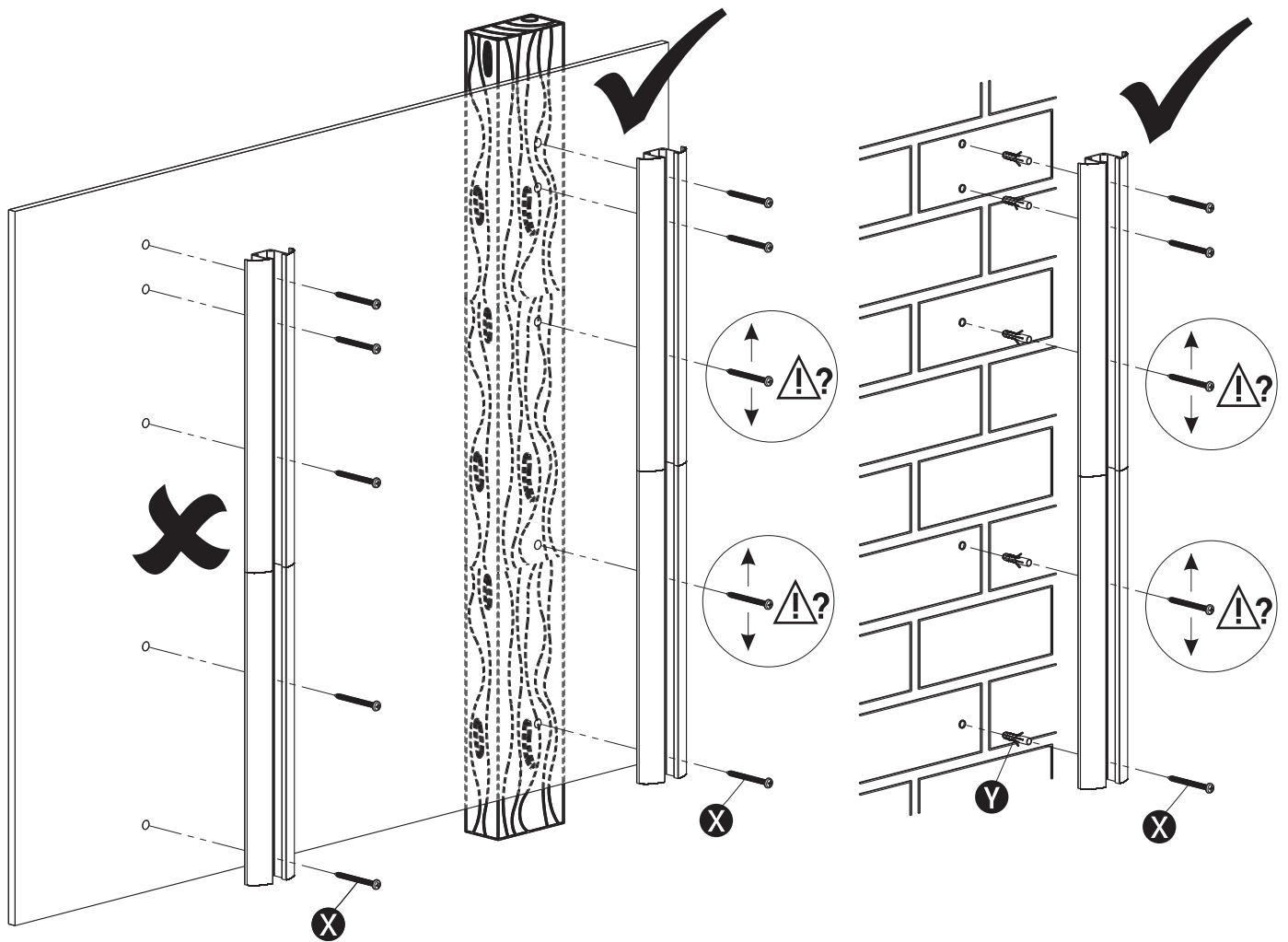


1 CONTINUED.....



2



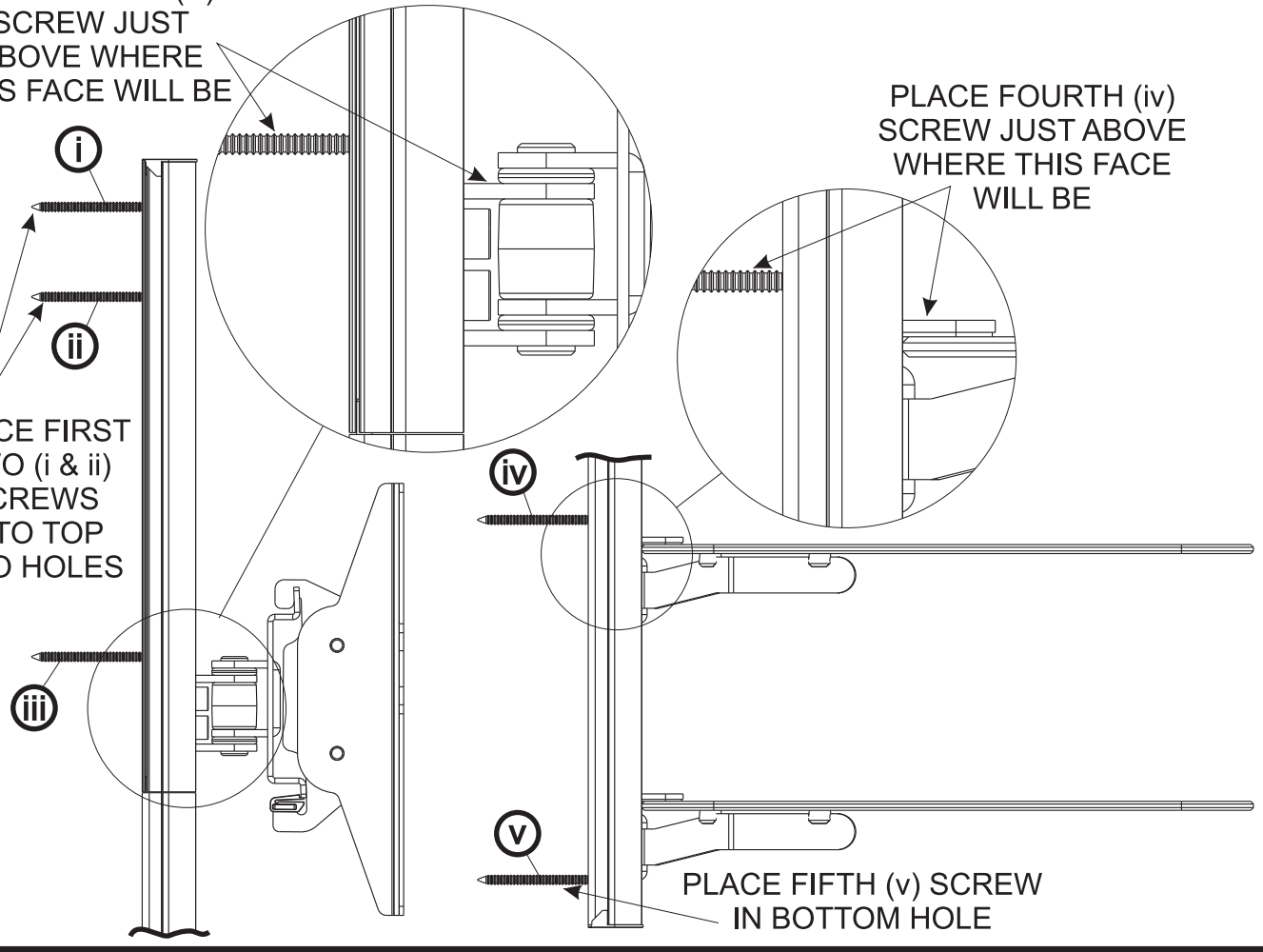


PLACE THIRD (iii)  
SCREW JUST  
ABOVE WHERE  
THIS FACE WILL BE

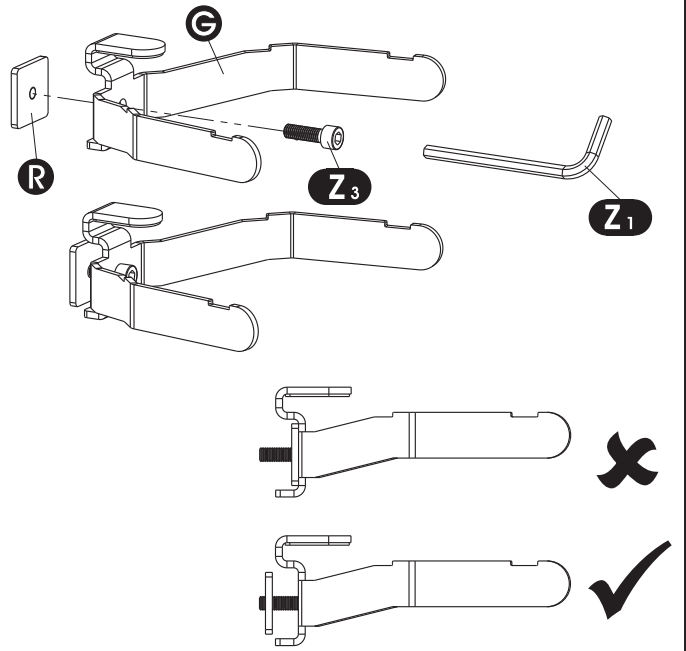
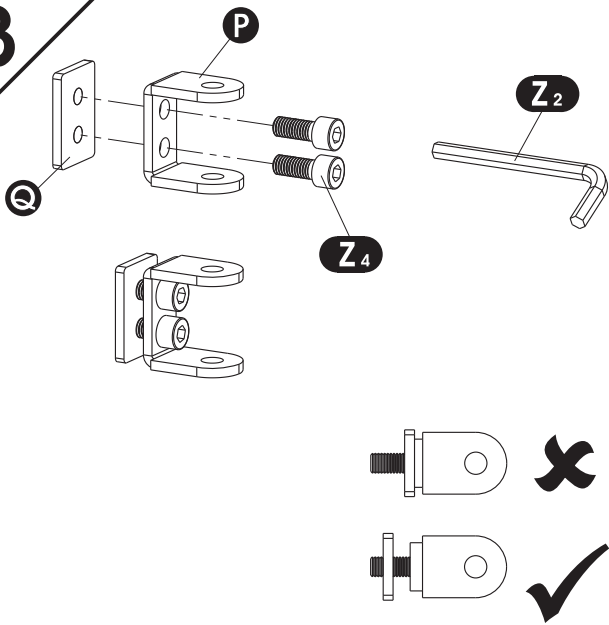
PLACE FOURTH (iv)  
SCREW JUST ABOVE  
WHERE THIS FACE  
WILL BE

PLACE FIRST  
TWO (i & ii)  
SCREWS  
INTO TOP  
TWO HOLES

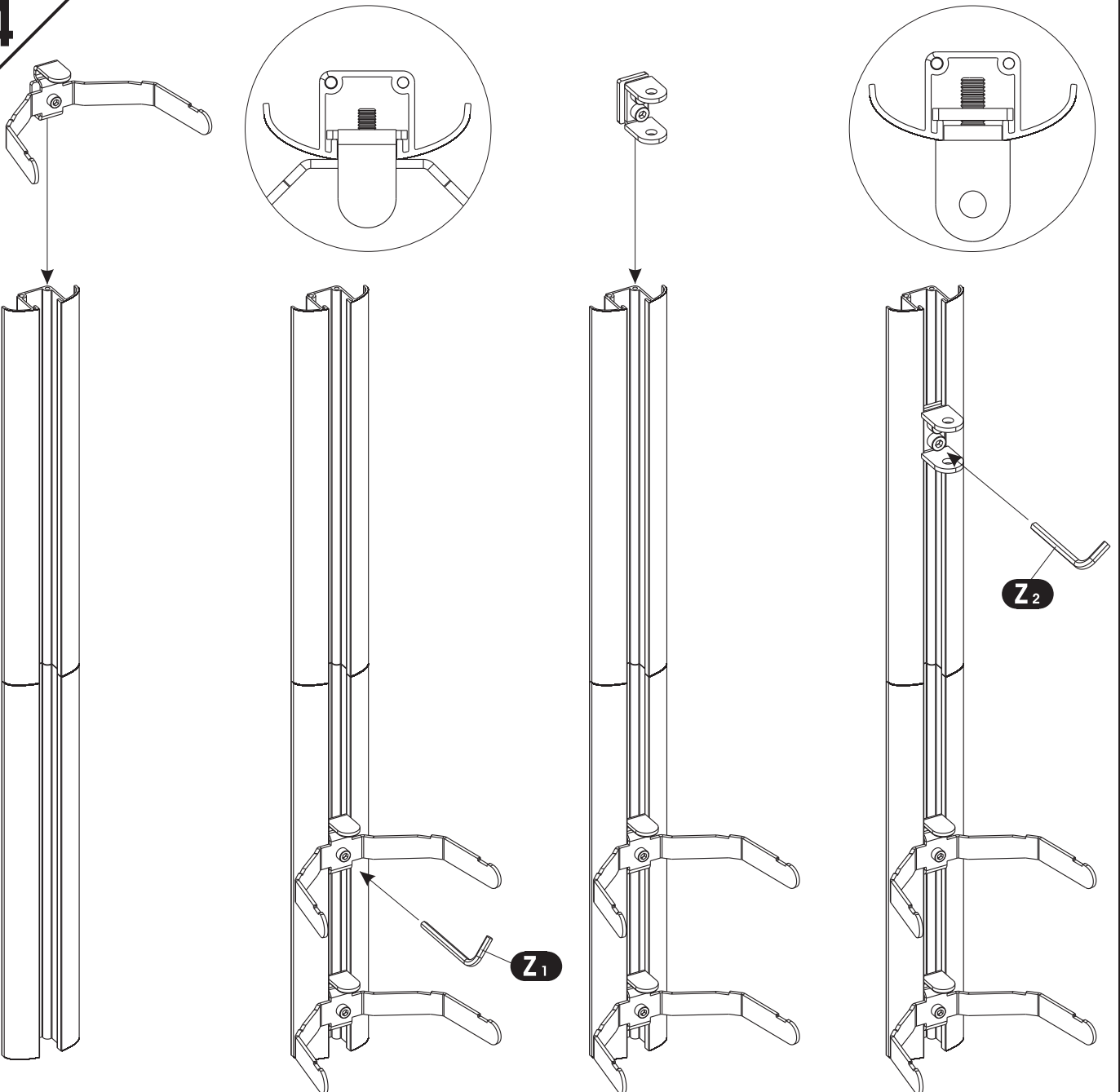
PLACE FIFTH (v) SCREW  
IN BOTTOM HOLE



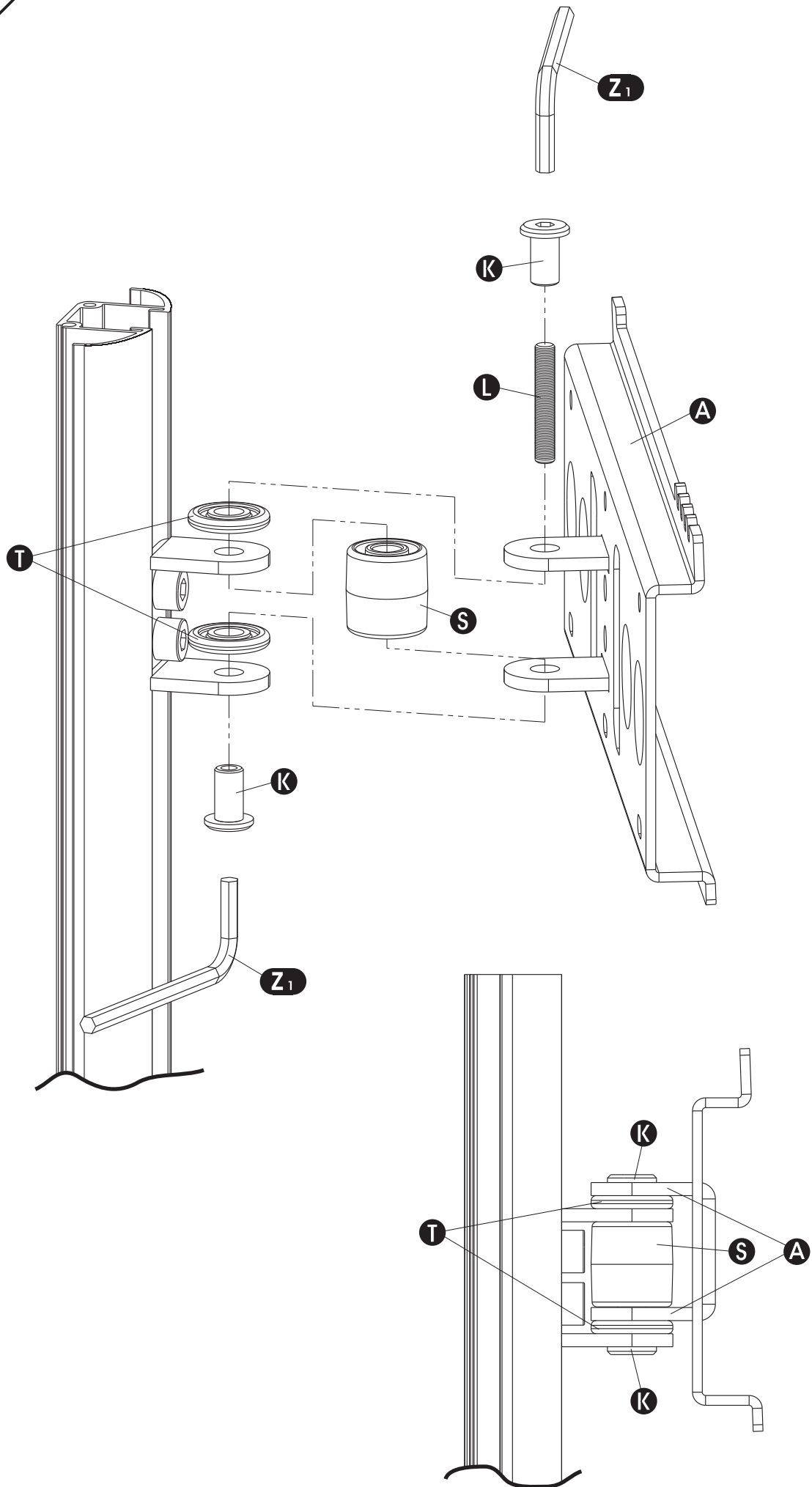
3



4

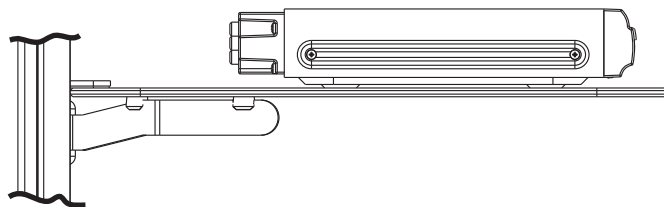
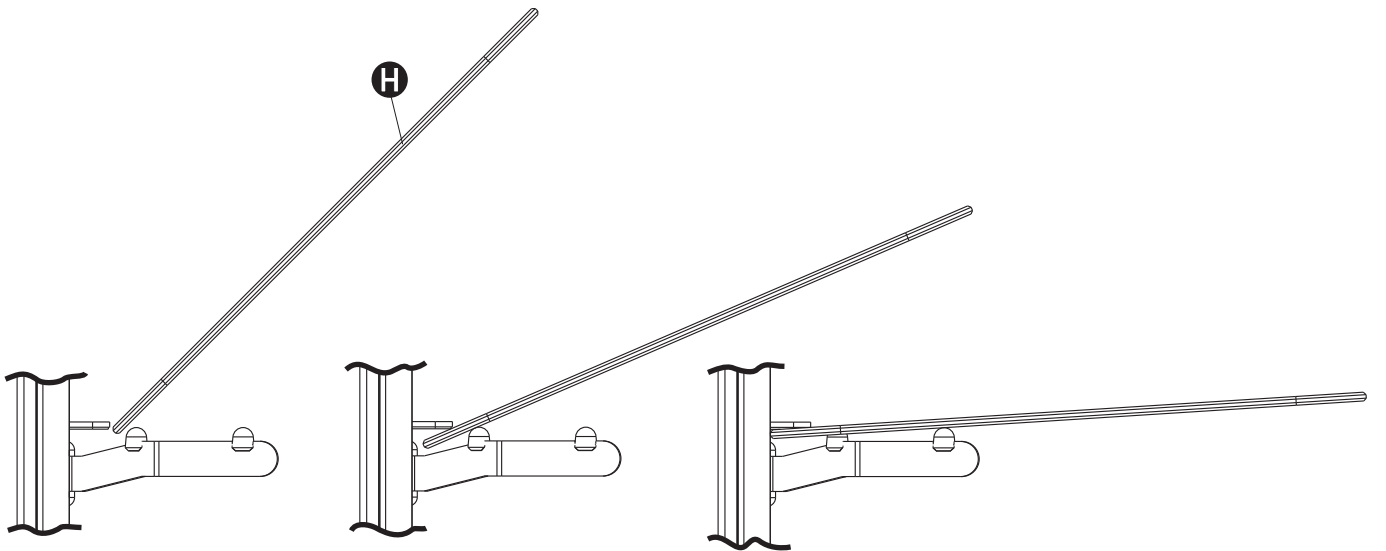
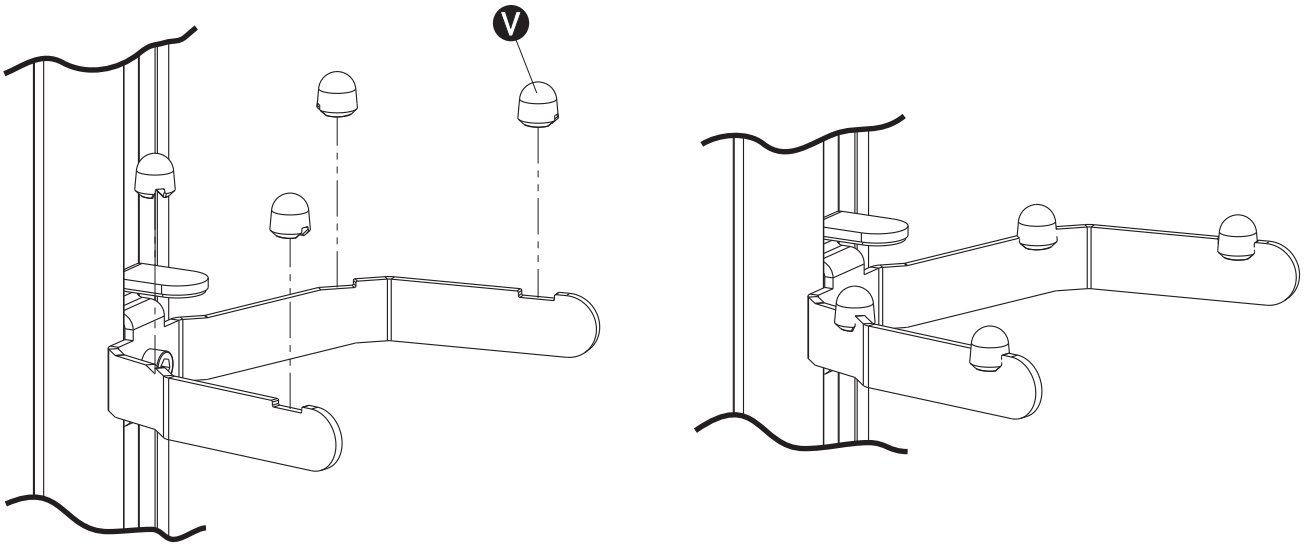
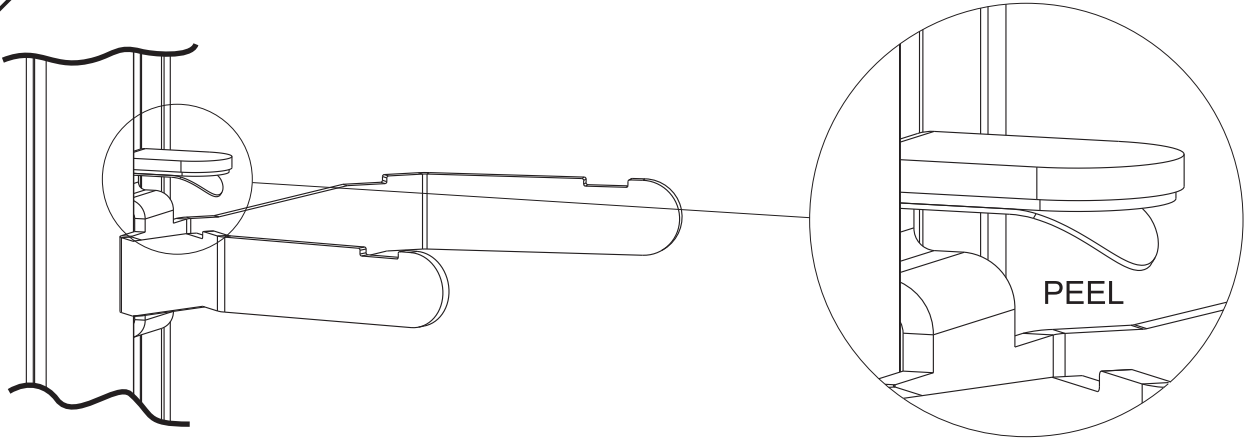


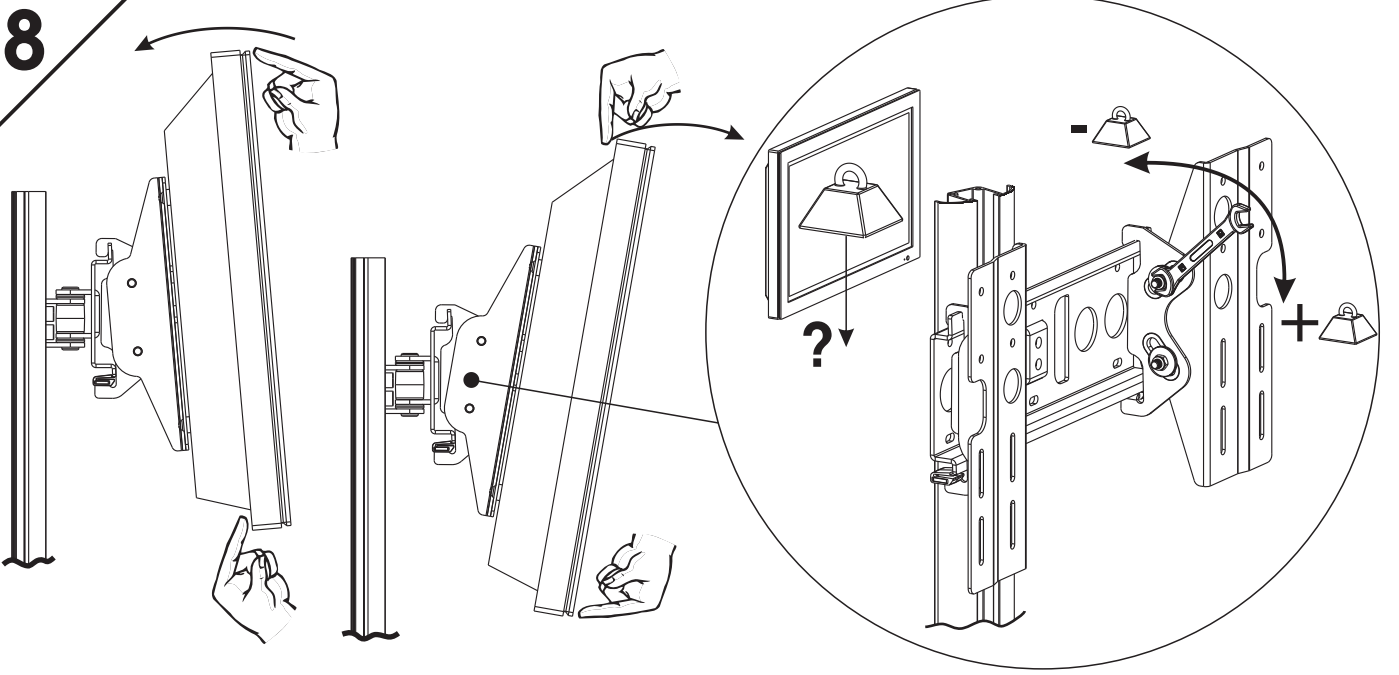
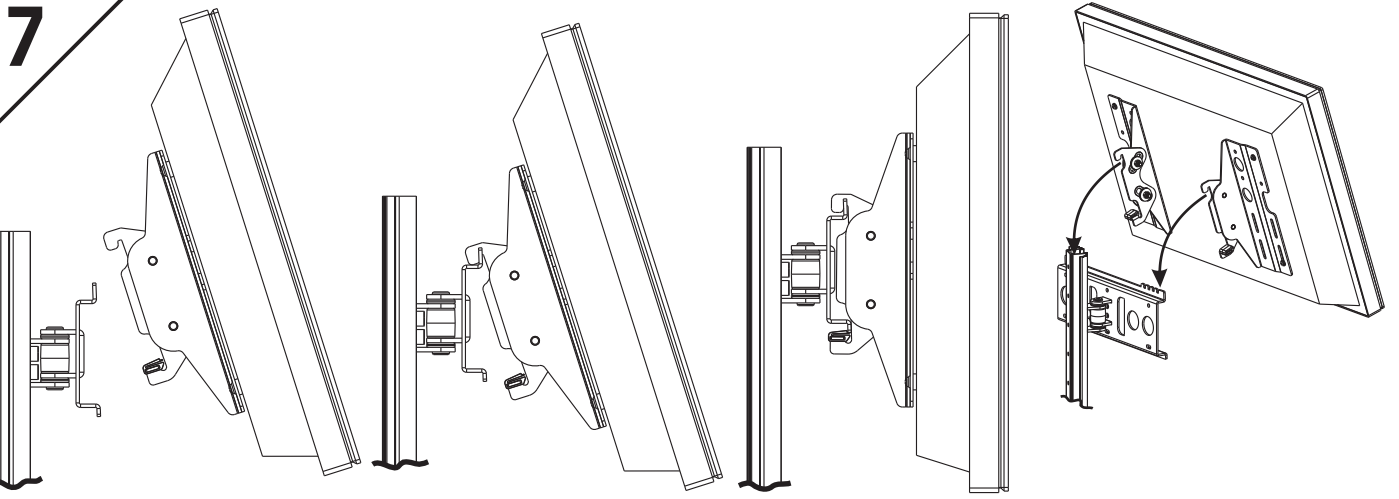
5



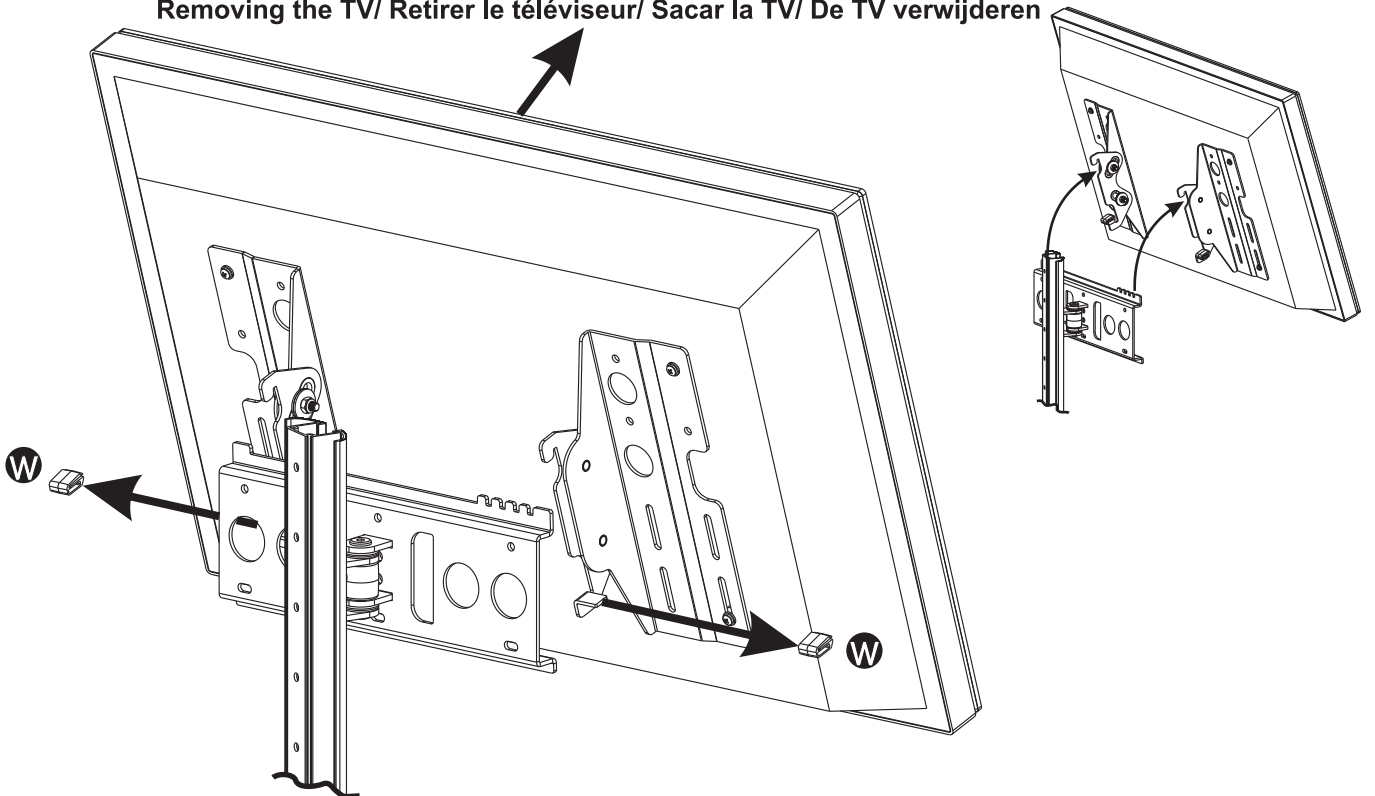


6

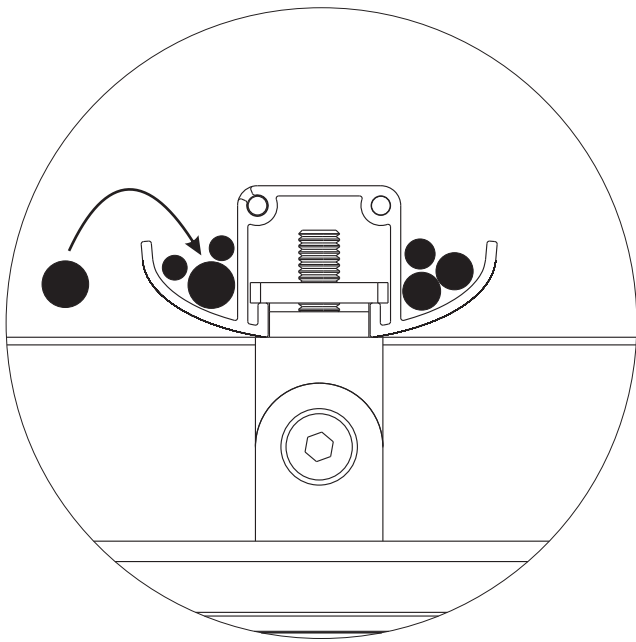
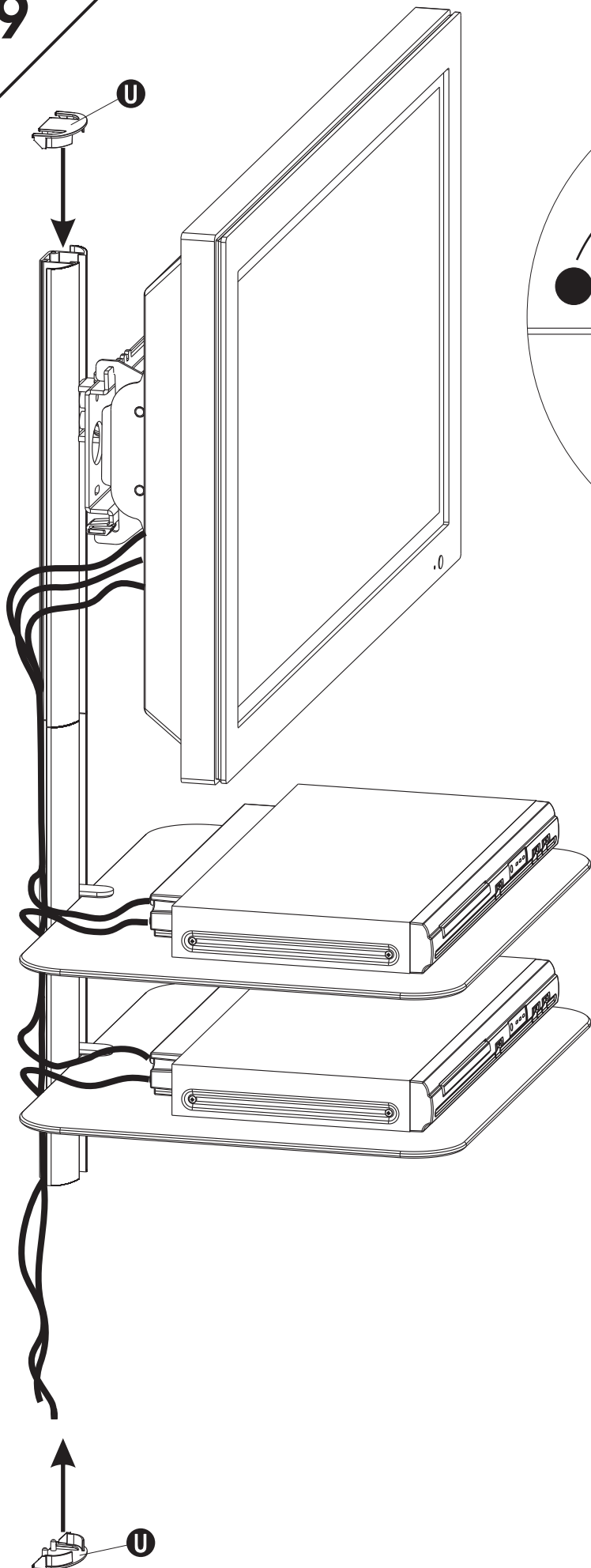


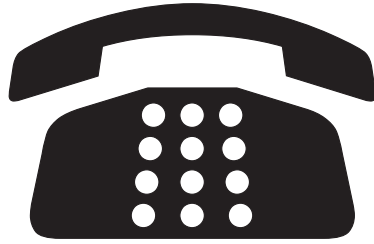


Removing the TV/ Retirer le téléviseur/ Sacar la TV/ De TV verwijderen



9





AVF Group Ltd.  
Road 30, Hortonwood Industrial Estate,  
Telford, Shropshire, TF1 7YE, England.

**+44 (0) 1952 670009**  
**0870 0609777 (UK)**

AVF Incorporated.  
3187, Cornerstone Drive,  
Mira Loma, CA 91752, USA.

**1-800 667 0808 (USA)**

Orbital Holdings Inc.  
3187, Cornerstone Drive,  
Mira Loma, CA 91752, USA.

**1-800 601 8450 (USA)**